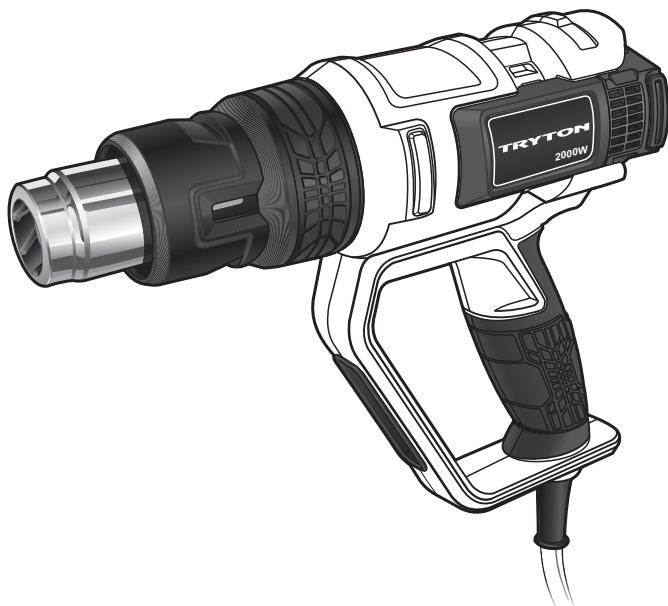


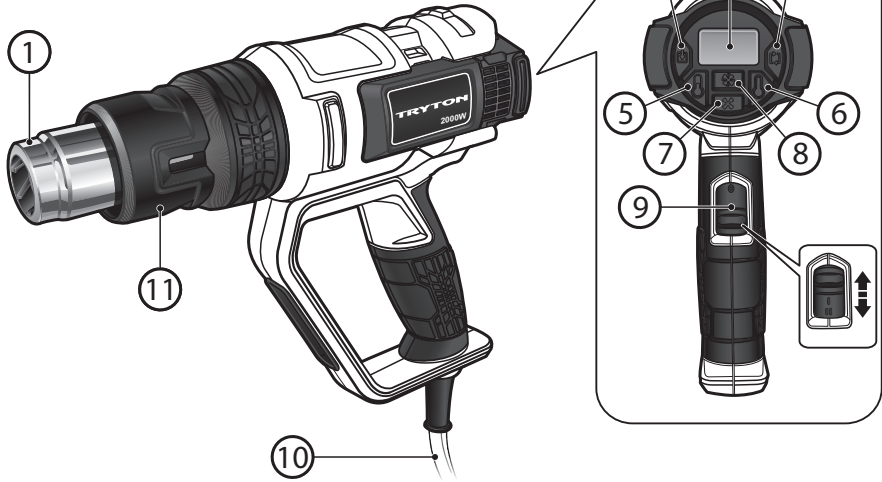
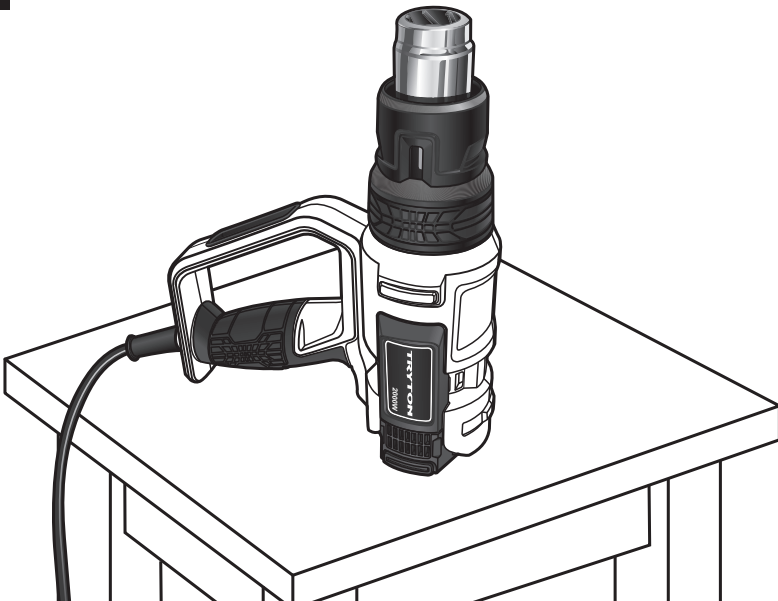
TRYTON

ELEKTRONARZĘDZIA



THL2000C

GB	Instruction manual	HOT AIR GUN (HEAT GUN)	3
PL	Oryginalna instrukcja obsługi	DMUCHAWA GRZEJNA (OPALARKA)	7
RU	Инструкция по эксплуатации	ТЕРМОВОЗДУХОДУВКА	12
RO	Instrucții de folosire	PISTOLUL CU AER CALD.....	18
LV	Lietošanas instrukcija	KARSTĀ GAISA PLŪSMAS ĢENERATORS	23
CZ	Návod na obsluhu	OPALOVACÍ (POŽEHOVACÍ) PISTOLE	28
LT	Naudojimo instrukcija	KARŠTO ORO PŪSTUVAS.....	33

A**B**



BEFORE YOU START USING THE MACHINE READ THOROUGHLY THIS MANUAL.

Keep this document for future reference.



WARNING! Read all safety warnings marked with a symbol  and all operating safety instructions.

To limit the risk of fire, electric shock and injury while using the device, follow all operating safety instructions and tips provided below.

Keep all work safety instructions and tips for future reference.

In warnings provided herein the expression "power tool" means a power tool powered from the mains (with a power cord) or a battery powered power tool (cordless).



WARNING! General work safety warnings for use of the tool.

Workplace safety:

- Keep your workplace tidy and well lit. Untidiness and bad lighting result in higher accident rate.
- Do not use the power tool in explosive environments, created by flammable liquids, gases or dusts. The power tool generates sparks that can ignite dust or vapors.
- Keep children and unauthorized persons away from the place where the power tools are used. Inattention may result in losing control over your power tool.



WARNING! General warnings regarding the use of power tools.

Electrics safety:

- Plugs used in power tools must match wall outlets. Never modify the plug of your power tool. Do not use any extension cables when operating a power tool with a grounding/earthing conductor (PE). Any modifications of plugs and outlets increase the risk of electric shock.
- Avoid touching earthed surfaces or grounded items like pipes, heaters, central heating radiators and refrigerators. Touching earthed or grounded surfaces increases the risk of electric shock.
- Do not expose your power tool to rain or damp environments. Water penetrating the tool increases the risk of electric shock.
- Do not damage the power cord. Never use the power cord to carry, pull the power tool and do not pull by its power cord to disconnect plug from the outlet. Keep the power cord away from sources of heat, oils, sharp edges and moving parts. Damaged or entangled power cords increase the risk of electric shock.
- When your power tool is operated outdoors use extension cords intended for outdoor use only. Using an extension cable intended for outdoor use decreases the risk of electric shock.
- When it is unavoidable to use your power tool in a damp environment use an RCD (Residual Current Device) for protection. The use of RCDs decreases the risk of electric shock.



WARNING! General warnings regarding the use of power tools.

Personal safety:

- This equipment is not intended for use by persons (including children) disabled physically, mentally, sensorial or persons with no experience and knowledge in operating the equipment unless they operate the equipment under supervision or follow user's instructions provided by persons responsible for their safety.
- It is necessary to predict steps, watch and keep common sense when using power tools. Do not operate power tools when you are tired, under influence of drugs, medicine or alcohol. A moment of inattention while operating a power tool may result in serious personal injury.
- Use personal protective equipment (PPE). Always wear safety goggles. Wearing personal protective equipment (PPE) including a dust mask, anti-slippery footwear, a helmet and ear protection reduces personal injury.
- Avoid unexpected start up. Before connecting your power tool to the mains and/or inserting a battery make sure its power switch is in off position. Carrying your power tool with a finger on its power switch or without disconnecting it from the mains (switched on) may result in an accident.
- Before starting your power tool remove any keys/wrenches. Leaving a key/wrench in the rotating part of your power tool may result in personal injury.
- Do not lean forward too far. Always remain stable and maintain balance. It will allow you to have a better control over your power tool in unpredictable situations.
- Wear appropriate clothing. Do not wear loose clothes or jewelry. Keep your hair tied. Keep your clothes away from moving parts. Loose clothes, jewelry or long hair may be caught by moving parts.



WARNING! General warnings regarding the use of power tools.

Use and taking care of your power tool:

- Do not overload your power tool. Use a power tool with power adjusted to work being done. An appropriately chosen power tool will allow you to work better and safer under load it has been designed for.
- Do not use a power tool when its power switch is out of order (it does not switch it on or off). Any power tool with its power switch out of order is dangerous and must be repaired.
- Always disconnect the plug from the power source and/or disconnect its battery before changing any settings, performing replacement or storage. Such preventive measures reduce the risk of accidental power tool start up.
- Keep your power tool out of reach of children and do not allow unauthorized persons to use the power tool. Power tools in hands of untrained persons can be dangerous.
- Power tools require maintenance. Check power tools for concentricity or jamming of moving parts, any cracks and all other factors affecting the power tool work safety. If any damage to the power tool is detected, it should be repaired

before use. *Improper power tool maintenance is a reason for many accidents.*

- f) **Power tools, equipment, working tools etc. should be used according to this user's manual taking into account operating conditions and the work to be done.** *Misusing a power tool can result in dangerous situations.*
- g) **Use soft, damp (cannot be wet) cloth and soap to clean power tools. Do not use petrol, solvents and other agents that may damage your equipment.**
- h) **Power tools can be stored/carried after making sure that all moving components are locked and protected against release with original devices intended for this purpose.**
- i) **Store power tools in a dry, dust and water-protected place.**
- j) **Carry your power tool in its original packaging to provide protection against mechanical damage.**



WARNING! General warnings regarding the use of power tools.

Repair:

- a) **Power tools can be repaired by competent persons only who use original spare parts.** *It will provide safe operation for the power tool.*



WARNING! HOT AIR GUN, additional safety instructions –

Workplace safety:

- a) **Always work in a well ventilated area.** *Gases, vapors and fumes generated during operation are frequently dangerous to human health.*
- b) **If handled carelessly, the tool can cause fire, therefore:**
 - *be extremely careful when using the tool in places where combustible materials are stored;*
 - *do not keep the hot air stream aimed at the same place for a longer period;*
 - *do not use the tool in explosive environments;*
 - *be aware that heat can be transferred to combustible materials located beyond your field of vision;*
 - *always place the tool on its base after use and allow to cool down before storing;*
 - *never leave your tool unattended when it is on.*
- c) **Do not point the nozzle with hot air at other persons, animals and towards the places where flammable materials are stored.**

Electrical safety:

- a) **Do not use the device when it rains or under high humidity conditions.** *It may result in injuries or death caused by electric shock.*
- b) **When operating the hot air gun outdoors always use a residual current device (RCD).** *The use of RCD reduces the risk of electric shock.*
- c) **Before each use check the tool, its power cord and plug for any damage. If any damage is found, stop working and have the tool repaired sending it to a service center (the address provided in the warranty card).** *Using a defected device can be dangerous to health and life. Never open its housing as the tool does not contain any user serviceable parts.*
- d) **Do not put any objects into the nozzle.** *It may result in damage to*

the tool and electric shock.

- e) **The power cord should be placed behind the tool at all times during operation.**
- f) **Do not point the hot air stream at the power cord and do not touch the power cord with the nozzle when hot.** *It may result in damage to its insulation and electric shock.*
- g) **Do not carry or hang the tool on its power cord.**
- h) **Do not use a power tool with its power cord damaged. Do not touch the power cord when damaged; if the damage to power cord occurs during operation, unplug the cord from the mains socket.** *Damaged power cords increase the risk of electric shock.*



WARNING!

If the undetachable power cord is damaged, it should be replaced either by the manufacturer or by an authorized service center or a qualified electrician to avoid any risks.

Personal safety:

- a) **When processing plastics, paints, varnishes and other materials, flammable and toxic gases are generated. Do not use the tool near flammable materials and explosive gases.**
- b) **To provide protection against vapors and fumes wear a special mask protecting against dusts and vapors emitted by lead-containing paints and bear in mind the safety of other persons staying at your workplace.**
- c) **Danger of burns! Never touch the nozzle when hot. Always wear protective gloves.**
- d) **Do not look into the nozzle when the tool is on.**
- e) **Always wear safety goggles when operating the tool.**
- f) **Do not use the tool as a hair dryer!** *The hot air emitted by the hot air gun exceeds the temperature of air provided by a hair dryer.*

Working instructions and use tips:

- a) **Protect the hot air gun against impacts and surface damage caused by sharp objects.**
- b) **Before you use the tool always check air inlet and outlet for any obstacles restricting a free air flow.**
- c) **Do not burn the paint as it may result in fire.** *Keep the paint away from the nozzle, as it can ignite after some period.*
- d) **Do not obstruct either air inlets or nozzle outlet as it can result in excessive temperature and damage to the tool.** *Do not keep the hot air outlet closer than 5 cm from the surface processed.*
- e) **Do not put the nozzle on any object during and directly after operation. Do not place the tool on its side.** *Whenever you wish to put the hot air gun aside, set it in a vertical position.*
- f) **When you stop using the tool, during breaks or carrying out any maintenance operations (e.g. inspections, cleaning, adjustments) always unplug the power cord from the mains socket.**
- g) **Never allow children to use the tool.**

APPLICATIONS AND CONSTRUCTION:

The hot air gun is a portable power tool. It features small dimensions, ergonomic design, low noise emission, high speed air flow, adjustment of operating temperature and speed of air flow.

The tool is intended for removing paint coats, shaping and welding

plastics and fitting shrinking plastic tubing. It can be also used to soften adhesives and defrost water pipes.

WARNING! The appliance is not intended to be operated by means of an external timer or separate remote-control system.

Do not use the tool in professional applications. Any use in applications other than indicated is prohibited and results in making the warranty void and null and waiving manufacturer's liability for any resulting damage.

Any modification to the tool carried out by the user waives manufacturer's liability for damage to the tool, user or other property.

■ **The set includes:**

- Hot air gun - 1 piece
- User's manual - 1 piece
- Warranty card - 1 piece

■ **Tool components** (see Fig. A):

The numbering of tool components refers to graphics presented on page 2 of the user's manual:

1. Outlet nozzle
2. Display
3. Save to memory button
4. Programme selection button
5. Operating temperature decrease button
6. Operating temperature increase button
7. Air flow decrease button
8. Air flow increase button
9. Work mode switch/selector
10. Power cord
11. Heat shield

TECHNICAL DATA:

Voltage		220-240 V
Frequency		50/60 Hz
Power consumption		2000W
Operating temperature	mode I	50°C
	mode II	50°C~650°C
Air flow		250l/min~500 l/min
Device class		II
Weight		0,9 kg

■ **Noise emission information**

Sound pressure value measured is lower than 70 dB (A).

BEFORE YOU START:

1. Make sure that power supply parameters meet the requirements provided on the tool nameplate.
2. Make sure the tool switch is in off position. Connecting the tool to the mains socket when its switch is in on position can result in serious accident, as the hot air gun starts immediately.
3. When your workplace is too far to plug the tool directly to the mains socket, use an extension cord with a cable cross-section meeting the tool requirements. Extension cords should be as short as possible. When in use extension cords must be fully uncoiled.

DURING OPERATION:

■ **Switching on/off**

- To switch on, the work mode switch/selector **9** must be moved to position **I** or **II**.
- To switch off, move the work mode switch/selector **9** to position **0** as far as possible.

■ **Temperature adjustment**

Temperature can be adjusted only in hot air mode **II**. The target temperature can be adjusted using buttons **5-6**.

By gently pressing button **5**, the temperature can be lowered by 10 °C until the minimum temperature level of 50 °C is reached.

By gently pressing button **6**, the temperature can be raised by 10 °C until the maximum temperature level 650 °C is reached.

When the temperature setting is changed, heating or cooling of the air stream takes place after a short time. During this time, the target temperature is shown on display **2** between the flashing arrows. When the target temperature is reached, the arrows turn off and the current temperature is shown on the display.

■ **Air flow adjustment**

Buttons **7-8** allow air flow adjustment:

Pressing button **7** allows the air flow to be gradually reduced until the minimum level is reached.

The air flow should be reduced, for example, when the environment in which the workpiece is located should not be heated too much or if the workpiece is light and the air flow could move it.

Pressing button **8** allows the air flow to be gradually increased until the maximum level is reached.

TYPES OF WORK:

■ **Setting operation mode**

The work mode switch/selector **9** can be set in two work positions (see Fig. A).

The air flow and temperature required can be adjusted by using the table:

Operation mode I	250 l/min~500l/min - 50°C
Operation mode II	250 l/min~500l/min - 50°C~650°C

■ **Work mode I (cold air blowing)**

The operation mode **I** is suitable for cooling down heated objects or for drying a paint coat. It can be also used to cool the tool before putting in storage or replacing its nozzle (spare nozzles not provided).

The air flow can be adjusted, the temperature is set to 50 °C (it cannot be adjusted), work in programme mode is impossible.

NOTE: After changing from higher to lower temperature always allow the tool to cool down.

■ **Work mode II (warm air blowing)**

In work mode **II**, the air flow and temperature can be adjusted; it is possible to work in normal and programme mode.

When switching from cold air blowing to hot air blowing, the air flow, temperature and possibly the programme automatically assume the values that were selected the last time hot air blowing was used.

■ **Programme work mode**

In programme work mode, it is possible to permanently store air flow and temperature settings in one of four programmes. Each programme

allows any combination of air flow and temperature.

Also, in programme work mode, the airflow and temperature settings can be changed at any time. If these changes are not stored in memory, they will be lost after the power tool is turned off or after switching to another programme.

To enter programme mode, press the programme selection button **4** until the number of the desired programme appears on display **2**.

To change an existing programme, go to the selected programme by pressing button **4**. Set the desired air flow and temperature using the appropriate adjustment buttons **5, 6, 7** and **8**.

Changing the value in one of the programmes is signalled by flashing in the upper left corner of the display of the symbol \rightarrow . After adjusting the air flow and temperature, press the store in memory button **3** until the symbol \rightarrow on the display switches off. The set values have been saved under the programme number shown on the display.

■ Normal work mode

To change from programme mode to normal work mode, press the programme selection button **4** until the programme number disappears from the display (above the temperature). Air flow and temperature can be changed at any time using the buttons - for temperature control **5-6** and for air flow control **7-8**.

Air flow and temperature values set in the normal work mode will remain stored after the following conditions are met:

- change to programme work mode,
- change to cold air blowing,
- switching off the power tool.

WORKING TIPS:



NOTE! Avoid holding the tool perpendicularly to surface processed. It results in hot air reflection and sucking it back by the motor rotor. It results in increasing temperature inside the motor and damage to the tool. The hot air gun should be held at an angle of approx. 45° to the surface processed.

The distance between the nozzle and object processed depends on the material, but cannot be lower than 5 cm.

Before you turn the tool off, set the temperature to minimum and select the maximum air flow for a short period (more than ten seconds) to cool down the heating element. It will extend the life of your tool.

■ Putting the tool aside

To cool the hot tool down or to have both hands free, put the hot air gun vertically onto a horizontal surface (see Fig. B).

NOTE: Be especially careful when working with the tool aside! There's a risk

of burns caused by its hot nozzle or hot air stream.

■ Removing the heat shield

For works conducted in hard-to-reach places, heat shield **11** can be removed.



WARNING, HOT NOZZLE!

When working without a heat shield, there is an increased risk of burns.

Before removing or installing the heat shield **11**, turn off the power tool and allow it to cool completely.

In order to cool the power tool quickly, cold air blowing can be set for a short period of time.

Heat shield **11** is removed by rotating it counter-clockwise and screwed in clockwise.

CLEANING AND MAINTENANCE:

1. Keep the tool clean and provide unrestricted air flow.
2. Protect the hot air gun against any penetration of water, dust and other small objects.
3. Do not clean the plastic housing with chemical cleaning agents. Use a slightly damp cloth and soap. Allow the tool housing to dry under natural conditions before you start to use it again.
4. Check the power cord for technical shape on a regular basis and replace it immediately when any damage is found.
5. In case of technical problems please contact our service. The addresses of authorized service points are listed in the warranty card.

MANUFACTURER:

PROFIX Ltd.,
34 Marywilka Street,
03-228 Warsaw, POLAND.

PROTECTION OF THE ENVIRONMENT:



NOTE: The symbol nearby denotes that old equipment must never be thrown away together with other waste (with the penalty of a fine). Hazardous components of electronic equipment may adversely affect the natural environment and human health.

Each household may contribute to the recovery and reuse (recycling) of old machinery and equipment. Both in Poland and Europe a system for recovery of used equipment either exists or is being created. The system obliges all organizations that sell such equipment to collect the used machinery and appliances. Moreover, general purpose collecting points for such equipment are available.



The policy of the PROFIX company consists in permanent improvements of the offered products and therefore the company reserves the right to make amendments to the product specification without a prior notice. The images included into the operation manual are only of the exemplary nature and may slightly differ from actual appearance of the device purchased.

This instruction manual is protected by copyright. Copying it without the written consent of PROFIX Co. Ltd. is prohibited.



PRZED PRZYSTĄPIENIEM DO UŻYTKOWANIA NALEŻY ZAPOZNAĆ SIĘ Z NINIEJSZĄ INSTRUKCJĄ.

Zachowaj instrukcję do ewentualnego przyszłego wykorzystania.



OSTRZEŻENIE! Należy przeczytać wszystkie ostrzeżenia dotyczące bezpieczeństwa użytkowania oznaczone symbolem ⚠ i wszystkie wskazówki dotyczące bezpieczeństwa użytkowania.

Nieprzestrzeganie podanych niżej ostrzeżeń dotyczących bezpieczeństwa i wskazówek dotyczących bezpieczeństwa może być przyczyną porażenia prądem elektrycznym, pożaru i/lub poważnych obrażeń.

Zachowaj wszystkie ostrzeżenia i wskazówki dotyczące bezpieczeństwa, aby móc skorzystać z nich w przyszłości.

W podanych niżej ostrzeżeniach wyrażenie „elektronarzędzie” oznacza elektronarzędzie zasilane z sieci (z przewodem zasilającym) lub elektronarzędzie zasilane z akumulatora (bezwprzewodowe).



OSTRZEŻENIE! Ogólne ostrzeżenia dotyczące bezpieczeństwa użytkowania narzędzia.

Bezpieczeństwo w miejscu pracy:

- W miejscu pracy należy utrzymywać porządek i dobre oświetlenie. Nieporządek i złe oświetlenie przyczynia się do wypadków.
- Nie należy używać elektronarzędzia w środowiskach wybuchowych, tworzonych przez łatwopalne ciecze, gazy lub pyły. Elektronarzędzie wytwarza iskry, które mogą zapalić pył lub opary.
- Nie należy dopuszczać dzieci i obserwatorów do miejsc, w których używa się elektronarzędzi. Rozproszenie uwagi może spowodować utratę kontroli nad elektronarzędziem.



OSTRZEŻENIE! Ogólne ostrzeżenia dotyczące bezpieczeństwa użytkowania narzędzia.

Bezpieczeństwo elektryczne:

- Wtyczki elektronarzędzi muszą pasować do gniazdek. Nigdy w żaden sposób nie należy przerabiać wtyczki. Nie należy używać żadnych przedłużaczy w przypadku elektronarzędzi mających przewód z żyłą uziemienia ochronnego. Brak przeróbek we wtyczkach i gniazdkach wtyczkowych zmniejsza ryzyko porażenia prądem elektrycznym.
- Należy unikać dotykania powierzchni uziemionych lub zwartych z masą, takich jak rury, ogrzewacze, grzejniki centralnego ogrzewania i chłodziarki. W przypadku dotknięcia części uziemionych lub zwartych z masą, wzrasta ryzyko porażenia prądem elektrycznym.
- Nie należy narażać elektronarzędzi na działanie deszczu lub warunków wilgotnych. W przypadku przedostania się do elektronarzędzia wody, wzrasta ryzyko porażenia prądem elektrycznym.
- Nie należy nadwierać przewodów przyłączeniowych. Nigdy nie należy używać przewodu przyłączeniowego do

przenoszenia, ciągnięcia elektronarzędzia lub wyciągania wtyczki z gniazdka. Należy trzymać przewód przyłączeniowy z daleka od źródeł ciepła, olejów, ostrych krawędzi lub ruchomych części. Uszkodzone lub zaplątane przewody przyłączeniowe zwiększają ryzyko porażenia prądem elektrycznym.

- W przypadku, gdy elektronarzędzie używa się na wolnym powietrzu, przewody przyłączeniowe należy przedłużać przedłużaczami przeznaczonymi do pracy na wolnym powietrzu. Używanie przedłużacza przeznaczonego do pracy na wolnym powietrzu zmniejsza ryzyko porażenia prądem elektrycznym.
- W przypadku, gdy używanie elektronarzędzia w środowisku wilgotnym jest nieuniknione, jako ochronę przed napięciem zasilania należy stosować urządzenie różnicowoprądowe (RCD). Zastosowanie RCD zmniejsza ryzyko porażania prądem elektrycznym.



OSTRZEŻENIE! Ogólne ostrzeżenia dotyczące bezpieczeństwa użytkowania narzędzia.

Bezpieczeństwo osobiste:

- Niniejszy sprzęt nie jest przeznaczony do użytkowania przez osoby (w tym dzieci) o ograniczonej zdolności fizycznej, czuciowej lub psychicznej, lub osoby nie mające doświadczenia lub znajomości sprzętu, chyba że odbywa się to pod nadzorem lub zgodnie z instrukcją użytkowania sprzętu, przekazanej przez osoby odpowiadające za ich bezpieczeństwo.
- Należy być przewidującym, obserwować co się robi i zachowywać rozsądek podczas używania elektronarzędzia. Nie należy używać elektronarzędzia, gdy jest się zmęczonym lub pod wpływem narkotyków, alkoholu lub leków. Chwila nieuwagi podczas pracy elektronarzędziem może spowodować poważne osobiste obrażenia.
- Należy stosować wyposażenie ochronne. Należy zawsze zakładać okulary ochronne. Używanie w odpowiednich warunkach wyposażenia ochronnego, takiego jak maska przeciwpyłowa, obuwie antypoślizgowe, kask lub ochronniki słuchu, zmniejsza osobiste obrażenia.
- Należy unikać niezamierzonego rozruchu. Przed przyłączeniem do źródła zasilania i/lub przed podłączeniem akumulatora oraz zanim podniesie się lub przeniesie się narzędzie należy upewnić się, że wyłącznik elektronarzędzia jest w pozycji wyłączony. Przenoszenie elektronarzędzia z palcem na wyłączniku lub przyłączenie elektronarzędzia do sieci zasilającej przy załączonym wyłączniku może być przyczyną wypadku.
- Przed uruchomieniem elektronarzędzia należy usunąć wszystkie klucze. Pozostawienie klucza w obracającej się części elektronarzędzia może spowodować osobiste obrażenia.
- Nie należy wychylać się za daleko. Należy cały czas stać pewnie i zachować równowagę. Umożliwi to lepszą kontrolę nad elektronarzędziem w sytuacjach nieprzewidywalnych.
- Należy odpowiednio się ubierać. Nie należy nosić luźnego ubrania ani biżuterii. Należy utrzymywać swoje włosy,

ubranie i rękawiczki z dala od części ruchomych. Luźne ubrania, biżuteria lub długie włosy mogą zostać zaczepione przez części ruchome.



OSTRZEŻENIE! Ogólne ostrzeżenia dotyczące bezpieczeństwa użytkowania narzędzia.

Użytkowanie i troska o elektronarzędzie:

- a) Nie należy elektronarzędzia przeciążać. Należy stosować elektronarzędzie o mocy odpowiedniej do wykonywanej pracy. Właściwe elektronarzędzie umożliwi pracę lepszą i bezpieczniejszą przy obciążeniu, na jakie zostało zaprojektowane.
- b) Nie należy używać elektronarzędzia, jeżeli łącznik go nie załącza i nie wyłącza. Każde elektronarzędzie, którego nie można załączać lub wyłączać łącznikiem, jest niebezpieczne i musi zostać naprawione.
- c) Należy odłączyć wtyczkę ze źródła zasilania elektronarzędzia i/lub odłączyć akumulator przed wykonaniem każdej nastawy, wymiany części lub magazynowaniem. Takie zapobiegawcze środki bezpieczeństwa redukują ryzyko przypadkowego rozruchu elektronarzędzia.
- d) Nieużywane elektronarzędzie należy przechowywać poza zasięgiem dzieci i nie należy pozwalać osobom niezaznajomionym z elektronarzędziem lub niniejszą instrukcją na używanie elektronarzędzia. Elektronarzędzia są niebezpieczne w rękach nieprzeszkolonych użytkowników.
- e) Elektronarzędzia należy konserwować. Należy sprawdzać współosiowość lub zakleszczenie się części ruchomych, pęknięcia części i wszystkie inne czynniki, które mogą mieć wpływ na pracę elektronarzędzia. Jeżeli stwierdzi się uszkodzenia, należy elektronarzędzie przed użyciem naprawić. Przyczyną wielu wypadków jest niefachowy sposób konserwacji elektronarzędzia.
- f) Elektronarzędzie, wyposażenie, narzędzia robocze itp. należy stosować zgodnie z niniejszą instrukcją, biorąc pod uwagę warunki pracy i rodzaj pracy do wykonania. Używanie elektronarzędzia w sposób, do jakiego nie jest przewidziane, może spowodować niebezpieczne sytuacje.
- g) Do czyszczenia elektronarzędzi stosować miękką, wilgotną (nie mokrą) szmatkę i mydło. Nie stosować benzyny, rozpuszczalników i innych środków mogących uszkodzić urządzenie.
- h) Elektronarzędzie należy przechowywać/transportować po upewnieniu się, że wszystkie jego elementy ruchome są zablokiowane i zabezpieczone przed odblokowaniem za pomocą oryginalnych elementów do tego przeznaczonych.
- i) Elektronarzędzie należy przechowywać w miejscu suchym, zabezpieczone przed kurzem i wnikaniem wilgoci.
- j) Transportowanie elektronarzędzia powinno odbywać się w opakowaniu oryginalnym, zabezpieczającym przed uszkodzeniami mechanicznymi.



OSTRZEŻENIE! Ogólne ostrzeżenia dotyczące bezpieczeństwa użytkowania narzędzia.

Naprawa:

- a) Naprawę elektronarzędzia należy zlecać wyłącznie osobie

wykwalifikowanej, wykorzystującej wyłącznie oryginalne części zamienne. Zapewni to, że użytkowanie elektronarzędzia będzie nadal bezpieczne.



OSTRZEŻENIE! DMUCHAWA GRZEJNA, dodatkowe ostrzeżenia dotyczące bezpieczeństwa –

Bezpieczeństwo w miejscu pracy:

- a) Należy pracować w dobrze wentylowanym miejscu pracy. Powstaające w czasie pracy gazy i opary są często szkodliwe dla zdrowia.
- b) Nieuważne używanie sprzętu może być przyczyną pożaru, dlatego też:
 - należy zachować ostrożność podczas użytkowania sprzętu w miejscach, w których znajdują się materiały palne;
 - nie należy kierować strumienia gorącego powietrza w to samo miejsce przez dłuższy czas;
 - nie używać sprzętu w obecności atmosfery wybuchowej;
 - należy mieć świadomość, że ciepło może być przeniesione do materiałów palnych będących poza polem widzenia;
 - po użyciu sprzętu należy umieścić go na jego podstawie i pozostawić do ostygnięcia przed przechowywaniem;
 - nie pozostawiać włączonego sprzętu bez nadzoru.
- c) Nie wolno kierować dyszy, z wypływającym gorącym strumieniem powietrza, w stronę innych osób, zwierząt i w stronę gdzie znajdują się materiały palne.

Bezpieczeństwo elektryczne:

- a) Nie używać urządzenia podczas deszczu lub w warunkach podwyższonej wilgotności. Może to być przyczyną zranienia lub zagrożenia życia przez porażenie prądem elektrycznym.
- b) Przy użyciu sprzętu należy umieścić go na jego podstawie i pozostawić do ostygnięcia przed przechowywaniem.
- c) Przed każdym włączeniem sprawdzić urządzenie, przewód zasilający i wtyczkę. W przypadku stwierdzenia uszkodzenia, przerwać pracę i zlecić naprawę urządzeniu uprawnionemu punktowi serwisowemu (adres podany jest w karcie gwarancyjnej). Kontynuowanie pracy uszkodzoną opalarką zagraża zdrowiu lub życiu. Nie otwierać nigdy samemu urządzenia.
- d) Nie wtykać żadnych przedmiotów do dyszy. Może to doprowadzić do uszkodzenia urządzenia i porażenia prądem elektrycznym.
- e) Przewód zasilający prowadzić zawsze z tyłu urządzenia.
- f) Nie wolno kierować strumienia gorącego powietrza na przewód zasilający i dotykać przewodu zasilającego rozgrzaną dyszę. Grozi to stopieniem izolacji i porażeniem prądem elektrycznym.
- g) Nie przenosić i nie wieszać urządzenia na przewodzie zasilającym.
- h) Nie wolno używać elektronarzędzia z uszkodzonym przewodem zasilającym. Nie należy dotykać uszkodzonego przewodu; w przypadku uszkodzenia przewodu podczas pracy, należy wyjąć wtyczkę z gniazda. Uszkodzone przewody podwyższają ryzyko porażenia prądem.



OSTRZEŻENIE!

Jeżeli przewód zasilający nieodłączalny ulegnie uszkodzeniu, to powinien on być wymieniony u wytwórcy lub w specjalistycznym zakładzie naprawczym albo

przez wykwalifikowaną osobę w celu uniknięcia zagrożenia.

Bezpieczeństwo osobiste:

- a) Podczas obróbki tworzyw sztucznych, farb, lakierów i podobnych materiałów mogą powstawać łatwopalne i trujące gazy. Narzędzia nie należy używać w pobliżu łatwopalnych gazów lub materiałów.
- b) Dla ochrony przed parami zakładaj specjalną maskę, chroniącą przed pyłami i oparami z farb olejowych, i zadbaj też o bezpieczeństwo innych osób przebywających w miejscu pracy.
- c) **Niebezpieczeństwo oparzenia! Nigdy nie dotykaj gorącej dyszy.** Zawsze stosować rękawice ochronne.
- d) Gdy urządzenie jest włączone, nigdy nie zaglądać do dyszy.
- e) **Podczas pracy zawsze stosować okulary ochronne.**
- f) **Nie używaj urządzenia jako suszarki do włosów!** Temperatura powietrza z urządzenia znacznie przekracza temperaturę powietrza z suszarki.

Użytkowanie i troska o elektronarzędzie:

- a) **Chronić opalarkę przed uderzeniami lub uszkodzeniami powierzchni przez ostre przedmioty.**
- b) **Przed rozpoczęciem użytkowania opalarki najpierw trzeba skontrolować wlot i wylot powietrza i usunąć ewentualne elementy tamujące swobodny przepływ powietrza.**
- c) **Nie spalaj farby, gdyż grozi to pożarem.** Uważaj, by farba nie przykleiła się do dyszy, gdyż po jakimś czasie może się zapalić.
- d) **Nie zasłaniaj szczelin wlotowych powietrza ani wylotu dyszy, gdyż może to doprowadzić do nadmiernego wzrostu temperatury i uszkodzenia sprzętu.** Wylotu dyszy nie należy zbliżać do obrabianego przedmiotu bliżej niż 5 cm.
- e) **W czasie pracy i bezpośrednio po jej zakończeniu nie opieraj dyszy o żaden przedmiot. Nie wolno kłaść opalarki na jej boku.** Jeżeli odstawiamy opalarkę, to powinna ona być zawsze postawiona w pozycji pionowej.
- f) **W czasie wszystkich przerw w pracy, nieużytkowaniu urządzenia i przed przystąpieniem do jakichkolwiek czynności przy urządzeniu (np. przeglądach, czyszczeniu, regulacji) wyciągnąć wtyczkę z gniazdka.**
- g) **Nigdy nie zezwalać na obsługę urządzenia przez dzieci.**

BUDOWA I PRZEZNACZENIE OPALARKI:

Opalarka jest ręcznym elektronarzędziem. Cechuje się małymi wymiarami, ergonomicznym kształtem, niskim poziomem hałasu, dużą prędkością wypływającego powietrza, regulacją temperatury pracy i przepływu powietrza.

Urządzenie jest przeznaczone do usuwania powłok malarskich, formowania i spawania tworzyw sztucznych oraz do obkurczania „koszulek” termokurczliwych. Urządzenie może być również stosowane do zmiękczenia kleju i odmrażania przewodów wodociągowych.

UWAGA! Urządzenie nie jest przeznaczone do pracy z użyciem zewnętrznych wyłączników czasowych lub oddzielnego układu zdalnej regulacji.

Nie wolno wykorzystywać narzędzia do wykonywania prac wymagających zastosowania profesjonalnego urządzenia. Każde użycie opalarki niezgodne z przeznaczeniem podanym wyżej jest zabronione i powoduje utratę gwarancji oraz brak odpowiedzialności

producenta za powstałe w wyniku tego szkody.

Jakiegolwiek modyfikacje urządzenia dokonane przez użytkownika zwalniają producenta z odpowiedzialności za uszkodzenia i szkody wyrządzone użytkownikowi i otoczeniu.

■ Kompletacja

- Opalarka - 1 szt.
- Instrukcja obsługi - 1 szt.
- Karta gwarancyjna - 1 szt.

■ Elementy urządzenia (patrz rys. A):

Numeracja elementów urządzenia odnosi się do przedstawienia graficznego umieszczonego na stronie 2 instrukcji obsługi:

1. Dysza wylotowa
2. Wyświetlacz
3. Przycisk zapisywania do pamięci
4. Przycisk wyboru programu
5. Przycisk zmniejszenia temperatury pracy
6. Przycisk zwiększenia temperatury pracy
7. Przycisk zmniejszenia przepływu powietrza
8. Przycisk zwiększenia przepływu powietrza
9. Włącznik/przełącznik trybu pracy
10. Przewód zasilający
11. Osłona ciepła

DANE TECHNICZNE:

Napięcie znamionowe	220-240 V
Częstotliwość znamionowa	50/60 Hz
Moc znamionowa	2000W
Temperatura pracy	tryb I 50°C
	tryb II 50°C~650°C
Przepływ powietrza	250l/min~500 l/min
Klasa narzędzia	II
Masa	0,9 kg

■ Informacja na temat hałasu

Zmierzony poziom ciśnienia akustycznego urządzenia jest mniejszy niż 70 dB(A).

PRZED PRZYSTĄPIENIEM DO PRACY:

1. Upewnić się, czy źródło zasilania, do którego ma być podłączona opalarka, odpowiada swoimi parametrami wymaganiam podanym na tabliczce znamionowej opalarki.
2. Upewnić się, czy włącznik główny jest w położeniu wyłączenia. W przypadku włożenia wtyczki do gniazdka, w sytuacji gdy włącznik główny jest w położeniu włączenia, może dojść do poważnego wypadku, gdyż opalarka natychmiastowo rozpoczyna pracę.
3. W przypadku gdy miejsce pracy jest oddalone od gniazdka, należy użyć przedłużacza, o odpowiednim przekroju przewodu dostosowanego do wielkości pobieranego prądu. Zaleca się stosowanie jak najkrótszych przedłużaczy. Przedłużacz powinien być całkowicie rozwinięty.

W TRAKCIE PRACY:

■ Włączanie/wyłączanie

- W celu włączenia włącznik/przełącznik trybu pracy **9** przesunąć na pozycję **I** lub **II**.
- W celu wyłączenia włącznik/przełącznik trybu pracy **9** przesunąć do oporu na pozycję **0**.

■ Regulacja temperatury

Regulacja temperatury możliwa jest tylko po ustawieniu trybu gorącego powietrza **II**. Temperaturę docelową można regulować za pomocą przycisków **5-6**.

Lekko przyciskając przycisk **5** można obniżyć temperaturę o 10 °C aż do osiągnięcia minimalnego poziomu temperatury 50 °C.

Lekko przyciskając przycisk **6** można podwyższyć temperaturę o 10 °C aż do osiągnięcia maksymalnej temperatury 650 °C.

Po zmianie nastawień temperatury, ogrzanie lub ochłodzenie strumienia powietrza następuje dopiero po krótkim czasie. Temperatura docelowa ukazywana jest w tym czasie na wyświetlaczu **2** pomiędzy migającymi strzałkami. Po osiągnięciu temperatury docelowej, strzałki wygasają, a na wyświetlaczu ukazywana jest aktualna temperatura.

■ Regulacja wydatku powietrza

Za pomocą przycisków **7-8** można regulować wydatek powietrza:

Krótko przyciskając przycisk **7** można stopniowo zmniejszyć wydatek powietrza aż do osiągnięcia minimalnego poziomu.

Wydatek powietrza należy zmniejszać np. wtedy, gdy otoczenie, w którym znajduje się przedmiot obrabiany, nie powinno być zbyt mocno nagrzewane lub gdy przedmiot obrabiany jest lekki i strumień powietrza mógłby go przesunąć.

Krótko przyciskając przycisk **8** można stopniowo zwiększyć wydatek powietrza aż do osiągnięcia maksymalnego poziomu.

RODZAJE PRACY:

■ Wybór trybu pracy

Włącznik/przełącznik trybu pracy **9** może być ustawiony w dwóch pozycjach pracy (patrz rys. **A**).

Odpowiedni strumień powietrza oraz temperaturę można ustawić zgodnie z tabelą:

Tryb pracy I	250 l/min~500l/min - 50°C
Tryb pracy II	250 l/min~500l/min - 50°C~650°C

■ Tryb pracy I (Nadmuch zimnego powietrza)

Tryb pracy **I** służy do ochłodzenia nagrzanego przedmiotu obrabianego, osuszania farby oraz ochłodzenia opalarki przed wyłączeniem lub wymianą dysz nakładanych (brak w zestawie).

Wydatek powietrza można regulować, temperatura nastawiona jest na 50 °C (nie można jej regulować), niemożliwa jest praca w trybie programowym.

UWAGA: Przy przełączeniu temperatury z wyższej na niższą wymagany jest pewien czas na ochłodzenie opalarki.

■ Tryb pracy II (Nadmuch gorącego powietrza)

W trybie pracy **II** wydatek powietrza i temperaturę można regulować; możliwa jest praca w trybie normalnym i programowym.

Przy przełączeniu z nadmuchu zimnego powietrza na nadmuch gorącego powietrza dla wydatku powietrza, temperatury i ewentualnie

programu przejmowane są automatycznie te wartości, które zostały wybrane podczas ostatniego korzystania z nadmuchu gorącego powietrza.

■ Programowy tryb pracy

W programowym trybie pracy możliwe jest trwałe zapamiętywanie nastaw wydatku powietrza i temperatury w jednym z czterech programów. W każdym z programów możliwe są dowolne kombinacje wydatku powietrza i temperatury.

Także i w programowym trybie pracy można w dowolnym momencie zmienić nastawy wydatku powietrza i temperatury. Jeżeli zmiany te nie zostaną zapisane do pamięci, przepadną po wyłączeniu elektronarzędzia lub po przejściu do innego programu.

Aby przejść do programowego trybu pracy, należy wcisnąć przycisk wyboru programu **4** tak długo, aż na wyświetlaczu **2** pojawi się numer żądanego programu.

Aby zmienić istniejący program, należy przejść do wybranego programu, naciskając przycisk **4**. Ustawić pożądany wydatek powietrza i temperaturę za pomocą odpowiednich przycisków regulacyjnych **5,6,7** i **8**.

Zmiana wartości w jednym z programów sygnalizowana jest miganiem w lewym górnym rogu wyświetlacza symbolu \rightarrow . Po nastawieniu wydatku powietrza i temperatury, wcisnąć przycisk zapisywania do pamięci **3** aż do wygaśnięcia znaku \rightarrow na wyświetlaczu. Ustawione wartości zostały zapamiętane pod ukazanym na wyświetlaczu numerem programu.

■ Normalny tryb pracy

Aby przejść z programowego trybu pracy do normalnego trybu pracy, należy nacisnąć przycisk wyboru programu **4** dopóty, dopóki na wyświetlaczu nie zniknie numer programu (powyżej temperatury). Wydatek powietrza i temperaturę można w każdej chwili zmienić za pomocą przycisków – do regulacji temperatury **5-6** i do regulacji wydatku powietrza **7-8**.

Ustawione w normalnym trybie pracy wartości dotyczące wydatku powietrza i temperatury pozostaną zapamiętane po spełnieniu następujących warunków:

- zmiana do programowego trybu pracy,
- przejście na nadmuch zimnego powietrza,
- wyłączenie elektronarzędzia.

WSKAZÓWKI ROBOCZE:



UWAGA! W czasie pracy unikać prostopadłego prowadzenia opalarki względem opalanej powierzchni. Powoduje to odbicie gorącego powietrza od powierzchni i ponownego zassania go przez wirnik silnika, w wyniku czego nadmiernie wzrasta temperatura wewnątrz silnika, co prowadzi do uszkodzenia opalarki. Opalarkę należy prowadzić pod kątem ok. 45° w stosunku do opalanej powierzchni.

Odległość dyszy od obrabianego przedmiotu stosowana jest według materiału obrabianego, ale nie może być mniejsza niż 5 cm.

Przed wyłączeniem urządzenia należy na kilkanaście sekund ustawić tryb pracy na najniższą temperaturę celem wychłodzenia elementu grzejnego. Zwiększa to trwałość narzędzia.

■ Odstawienie urządzenia

W celu ochłodzenia rozgrzanego urządzenia lub by obydwie ręce były wolne przy pracy, należy ustawić opalarkę pionowo na poziomej

powierzchni (patrz rys. B).

UWAGA: Przy pracach z odstawionym urządzeniem należy być szczególnie uważnym! Istnieje niebezpieczeństwo oparzenia się o gorącą dyszę lub na strumieniu gorącego powietrza.

■ Zdejmowanie osłony cieplnej

Do prac w miejscach trudnodostępnych można zdjąć osłonę cieplną 11.



UWAGA NA GORAĆCĄ DYSZĘ!

Podczas pracy bez osłony cieplnej istnieje podwyższone niebezpieczeństwo oparzenia.

Przed przystąpieniem do zdejmowania lub zakładania osłony cieplnej 11 należy wyłączyć elektronarzędzie i odczekać aż ono całkowicie wystygnie.

Aby doprowadzić do szybkiego ochłodzenia elektronarzędzia, można na krótki okres uruchomić nawiew zimnego powietrza.

Wykręcanie osłony cieplnej 11 odbywa się w kierunku przeciwnym do ruchu wskazówek zegara, wkręcanie w kierunku zgodnym z ruchem wskazówek zegara.

OBŚLUGA I KONSERWACJA:

1. Opalarkę należy utrzymywać w czystości, zapewniając swobodny przepływ powietrza.
2. Chronić opalarkę przed kontaktem z wodą i wnikiem pyłu, kurzu i innych drobnych elementów do wnętrza maszyny.
3. Plastikowej obudowy opalarki nie wolno czyścić za pomocą chemicznych środków czyszczących. Stosować lekko wilgotną

szmatkę i mydło. Opalarki wolno używać dopiero po dokładnym wyschnięciu obudowy w naturalnych warunkach.

4. Regularnie należy kontrolować stan techniczny przewodu zasilającego i w przypadku wykrycia uszkodzenia, przewód należy natychmiast wymienić.
5. W razie problemów technicznych prosimy kontaktować się z serwisem. Adresy autoryzowanych serwisów podane są w karcie gwarancyjnej.

PRODUCENT:

PROFIX Sp. z o.o.,
ul. Marywilska 34,
03-228 Warszawa, Polska

OCHRONA ŚRODOWISKA:



UWAGA: Przedstawiony symbol oznacza zakaz umieszczania zużytego sprzętu łącznie z innymi odpadami (z zagrożeniem karą grzywny). Składniki niebezpieczne znajdujące się w sprzęcie elektrycznym i elektronicznym wpływają negatywnie na środowisko naturalne i zdrowie ludzi.

Gospodarstwo domowe powinno przyczyniać się do odzysku i ponownego użycia (recyklingu) zużytego sprzętu. W Polsce i w Europie tworzony jest, lub już istnieje, system zbierania zużytego sprzętu, w ramach którego wszystkie punkty sprzedaży ww. sprzętu mają obowiązek przyjmować zużyty sprzęt. Ponadto istnieją punkty zbiórki ww. sprzętu.



Polityka firmy PROFIX jest polityką stałego udoskonalania swoich produktów i dlatego firma rezerwuje sobie prawo zmiany specyfikacji wyrobu bez uprzedniego zawiadomienia. Obrazki, podane w instrukcji obsługi, są przykładowe i mogą się nieznacznie różnić od rzeczywistego wyglądu zakupionego urządzenia.

Niniejsza instrukcja jest chroniona prawem autorskim. Kopiowanie/ powielanie jej bez pisemnej zgody firmy PROFIX Sp. z o.o. jest zabronione.



ПЕРЕД НАЧАЛОМ ЭКСПЛУАТАЦИИ НЕОБХОДИМО ОЗНАКОМИТЬСЯ С НАСТОЯЩЕЙ ИНСТРУКЦИЕЙ.

Хранить инструкцию для возможного применения в будущем.



ПРЕДУПРЕЖДЕНИЕ! Необходимо ознакомиться со всеми предупреждениями, касающимися безопасности при эксплуатации, обозначенными символом ⚠ и всеми указаниями по технике безопасности.

Несоблюдение указанных ниже предупреждений, касающихся безопасности и указаний по технике безопасности может привести к поражению электрическим током, пожару и/или серьёзным травмам тела.

Необходимо хранить все предупреждения и указания, касающиеся техники безопасности, чтобы можно было воспользоваться ними в будущем.

В указанных ниже предупреждениях слово „электроинструмент“ означает электроинструмент с питанием от сети (посредством электрического кабеля) или электроинструмент, питаемый от аккумулятора (беспроводное питание).



ПРЕДУПРЕЖДЕНИЕ! Общие предупреждения, касающиеся безопасности при эксплуатации инструмента.

Техника безопасности на рабочем месте:

- a) Необходимо поддерживать порядок и хорошее освещение на рабочем месте. Беспорядок и плохое освещение являются причиной несчастных случаев.
- б) На следует использовать электроинструмент во взрывоопасной среде, образующейся легко воспламеняющимися жидкостями, газами или пылью. Электроинструмент создаёт искры, которые могут привести к воспламенению пыли или испарений.
- в) Не допускать детей и наблюдателей в места, в которых применяются электроинструменты. Отвлечение внимания может привести к потере контроля над электроинструментом.



ПРЕДУПРЕЖДЕНИЕ! Общие предупреждения, касающиеся безопасности при эксплуатации инструмента.

Электробезопасность:

- a) Штепсельные вилки должны соответствовать сетевым розеткам. Ни в коем случае не переделывать каким-либо образом штепсельную вилку. Не применять каких-либо удлинителей электропитания в случае использования электроинструментов, имеющих провод электропитания с защитным заземляющим проводником. Отсутствие переделок штепсельных розеток и сетевых розеток снижает опасность поражения электрическим током.
- б) Необходимо избегать прикосновения к поверхности заземлённых или закороченных на массу элементов,

таких как трубы, нагреватели, радиаторы центрального отопления и холодильные агрегаты. В случае прикосновения заземлённого или закороченного на массу элемента увеличивается опасность поражения электрическим током.

- в) Не подвергать электроинструменты воздействию дождя или влажных условий. В случае попадания в электроинструмент воды увеличивается опасность поражения электрическим током.
- г) Не создавать опасности повреждения кабеля электропитания. Ни в коем случае не использовать кабеля электропитания, чтобы переносить или тянуть электроинструмент или для извлечения штепсельной вилки из розетки. Кабель электропитания должен находиться вдали от источников тепла, масел, острых краёв и движущихся частей. Повреждённые или запутанные кабели электропитания увеличивают опасность поражения электрическим током.
- д) Если электроинструмент эксплуатируется на свежем воздухе, следует использовать удлинители кабеля электропитания, предназначенные для работы вне помещений. Использование удлинителя кабеля электропитания, предназначенного для работы вне помещений, снижает опасность поражения электрическим током.
- е) Если эксплуатация электроинструмента во влажной среде неизбежна, в качестве защиты от напряжения питания необходимо использовать защитное устройство по разностному току (RCD). Применение защитного устройства по разностному току снижает опасность поражения электрическим током.



ПРЕДУПРЕЖДЕНИЕ! Общие предупреждения, касающиеся безопасности при эксплуатации инструмента.

Индивидуальная безопасность:

- a) Настоящее оборудование не предназначено для эксплуатации лицами (включая детей) с физическими, сенсорными или умственными ограничениями или лицами, не имеющими опыта или не знающими оборудования, разве что это осуществляется под надзором или в соответствии с инструкцией по эксплуатации оборудования, переданной лицами, отвечающими за их безопасность.
- б) Необходимо быть предусмотрительным, наблюдать за работой и руководствоваться здравым смыслом во время эксплуатации электроинструмента. Не следует эксплуатировать электроинструмент в состоянии переутомления или находясь под действием наркотиков, алкоголя или лекарств. Мгновение невнимания во время эксплуатации электроинструмента может быть причиной травмы пользователя.
- в) Необходимо применять средства личной защиты.

Необходимо обязательно работать с защитными очками. Применение в соответствующих условиях средств личной защиты, таких как противопыльный респиратор, противоскользкая обувь, каска или средства защиты слуха снизит риск получения травмы.

- г) Необходимо избегать случайного запуска в работу. Прежде чем вставить вилку кабеля электропитания в сетевую розетку или подключить аккумулятор, а также перед тем, как поднять или перенести электроинструмент, необходимо убедиться, что выключатель электроинструмента находится в положении «выключено». Перенос электроинструмента с пальцем на выключателе или подключение электроинструмента к сети питания при включенном выключателе может привести к несчастному случаю.
- д) Прежде, чем запустить электроинструмент в работу, необходимо устранить все ключи. Ключ, оставшийся во вращающейся части электроинструмента, может привести к травме пользователя.
- е) Не следует слишком сильно наклоняться. Необходимо всё время сохранять устойчивость и равновесие. Это позволяет лучше контролировать электроинструмент в неожиданных ситуациях.
- ж) Необходимо иметь соответствующую одежду. Не работать в свободной одежде или с бижутерией. Необходимо, чтобы волосы пользователя, его одежда и рукавицы находились вдали от движущихся элементов. Свободная одежда, бижутерия или длинные волосы могут быть зацеплены движущимися частями.



ПРЕДУПРЕЖДЕНИЕ! Общие предупреждения, касающиеся безопасности при эксплуатации инструмента.

Эксплуатация и уход за электроинструментом:

- а) Не допускать перегрузки электроинструмента. Применять электроинструмент с мощностью, соответствующей выполняемой работе. Надлежащий электроинструмент позволит лучше и безопаснее работать при нагрузке, на которую он рассчитан.
- б) Не следует применять электроинструмент, если его выключатель не включается и не выключается. Каждый электроинструмент, который не может включаться или выключаться выключателем, представляет опасность и должен быть передан на ремонт.
- в) Необходимо отсоединить штепсельную вилку от источника питания электроинструмента и/или отсоединить аккумулятор прежде чем выполнить какую-либо установку, замену части или складирование устройства. Такие предупредительные меры безопасности снижают риск случайного запуска электроинструмента в работу.
- г) Неиспользуемый электроинструмент следует хранить в недоступном для детей месте и не разрешать тем, кто незнаком с электроинструментом или настоящей инструкцией, пользоваться электроинструментом.

Электроинструмент опасен в руках необученных пользователей.

- д) Следует выполнять технический уход за электроинструментом. Необходимо проверить соосность или отсутствие заедания (защемления) подвижных элементов, трещин частей, а также все другие факторы, могущие влиять на работу электроинструмента. В случае обнаружения неисправности, необходимо выполнить ремонт электроинструмента. Причиной многих несчастных случаев является непрофессиональный способ выполнения технического ухода.
- е) Электроинструмент, оснащение, рабочие инструменты и т. п. необходимо применять в соответствии с настоящей инструкцией, учитывая рабочие условия и вид выполняемой работы. Применение электроинструмента не по назначению может привести к опасным ситуациям.
- ж) Для чистки электроинструмента применять мягкую, влажную (не мокрую) тряпку и мыло. Не применять бензина, растворителей и других средств, могущих повредить устройство.
- з) Электроинструмент следует хранить/транспортировать, убедившись, что все его подвижные элементы заблокированы и защищены от разблокировки при помощи оригинальных элементов, предназначенных для этой цели.
- и) Электроинструмент должен храниться в сухом месте и быть защищенным от пыли и проникания влаги.
- й) Транспортировку электроинструмента необходимо выполнять в оригинальной упаковке, защищающей от механических повреждений.



ПРЕДУПРЕЖДЕНИЕ! Общие предупреждения, касающиеся безопасности при эксплуатации инструмента.

Ремонт:

- а) Ремонт электроинструмента необходимо поручать исключительно квалифицированному лицу, использующему только оригинальные запасные части. Это гарантирует безопасность дальнейшей эксплуатации электроинструмента.



ПРЕДУПРЕЖДЕНИЕ! ТЕРМОВОЗДУХОДУВКА, дополнительные предупреждения по технике безопасности –

Техника безопасности на рабочем месте:

- а) Необходимо работать на хорошо вентилируемом рабочем месте. Образующиеся во время работы газы и испарения обычно вредны для здоровья.
- б) Невнимательное использование устройства может привести к пожару, поэтому:
 - необходимо соблюдать осторожность во время эксплуатации устройства в местах, где имеются горючие материалы;
 - не следует длительное время направлять струю горячего воздуха в одно и то же место;

– не применять устройство при наличии взрывоопасной атмосферы;

– следует иметь в виду, что тепло может передаваться к горючим материалам, находящимся вне поля зрения;

– после окончания эксплуатации устройства необходимо поместить его на подставку и дождаться его охлаждения, прежде чем спрятать в место хранения;

– не оставлять включенного устройства без надзора.

- в) Запрещено направлять сопло с выходящей горячей струёй воздуха в сторону других лиц, животных и в сторону, где находятся горючие вещества.

Электробезопасность:

- а) Не эксплуатировать устройство во время дождя и в условиях повышенной влажности. Это может привести к травме или представлять угрозу для жизни в результате поражения электрическим током.

- б) При эксплуатации термовоздуховки на свежем воздухе, необходимо использовать защитное устройство по дифференциальному (разностному) току (RCD). Применение защитного устройства по дифференциальному току (RCD) снижает опасность поражения электрическим током.

- в) Перед каждым включением необходимо проверить устройство, кабель электропитания и штепсельную вилку. В случае выявления неисправности устройства, следует прекратить работу и передать его на ремонт в уполномоченный производителем сервисный пункт (адрес указан на гарантийной карте). Дальнейшая работа с повреждённой воздуходувкой представляет опасность для здоровья или жизни. Ни в коем случае не открывать устройства самостоятельно.

- г) Не втыкать каких-либо предметов в сопло. Это может привести к повреждению устройства и поражению электрическим током.

- д) Необходимо, чтобы кабель электропитания всегда находился сзади устройства.

- е) Запрещено направлять струю горячего воздуха на кабель электропитания и прикасаться к разогретым соплом к кабелю электропитания. Это несёт опасность расплавления изоляции и поражения электрическим током.

- ж) Не переносить устройство, удерживая его за кабель электропитания и не вешать на нём.

- з) Запрещено эксплуатировать электроинструмент с повреждённым кабелем электропитания. Не прикасаться к повреждённому кабелю электропитания. В случае повреждения кабеля электропитания во время работы, необходимо извлечь штепсельную вилку из розетки. Повреждённые провода увеличивают опасность поражения электрическим током.



ПРЕДУПРЕЖДЕНИЕ!

Если неотсоединяемый кабель электропитания будет повреждён, его замена должна производиться на предприятии-изготовителе или специализированном ремонтном предприятии, или же квалифицированным лицом. Это позволит избежать

опасности.

Личная безопасность:

- а) В процессе обработки пластмасс, лакокрасочных покрытий и подобных материалов могут образовываться легковоспламеняющиеся и ядовитые газы. Не применять электроинструмент вблизи легковоспламеняющихся газов или материалов.

- б) Для защиты от испарений следует применять специальный респиратор, защищающий от пыли и испарений свинцовых красок и позаботиться также о безопасности других лиц, находящихся на месте выполнения работы.

- в) Опасность ожога! Ни в коем случае не прикасаться к горячему соплу. Обязательно применять защитные рукавицы.

- г) Запрещено заглядывать в сопло при включенном устройстве.

- д) Во время работы обязательно применять защитные очки.

- е) Не применять устройство в качестве сушилки для волос! Температура воздуха, выходящего из устройства значительно превышает температуру воздуха, выходящего из сушилки.

Эксплуатация и уход за электроинструментом:

- а) Предохранять термовоздуховку от ударов или повреждений поверхности острыми предметами.

- б) Прежде, чем приступить к эксплуатации термовоздуховки, следует проверить выпуск и выпуск воздуха и устранить возможные элементы, мешающие свободному протеканию воздуха.

- в) Не сжигать краску, так как это может стать причиной пожара. Следует следить, чтобы краска не приклеилась к соплу, поскольку она через какое-то время может воспламениться.

- г) Не закрывать щелей впуска (забора) воздуха или выпускного отверстия сопла, так как это может привести к чрезмерному увеличению температуры и повреждению устройства. Не приближать выпускное отверстие сопла к обрабатываемому предмету ближе, чем на 5 см.

- д) Во время работы и после её окончания не опираться соплом о какой-либо предмет. Запрещено класть воздуходувку на бок. При откладывании термовоздуховки, следует обязательно установить её в вертикальном положении.

- ж) Во время всех перерывов в работе, не использовани устройства и прежде чем приступить к каким-либо действиям устройством (напр. осмотру, чистке, регулировке), следует извлечь штепсельную вилку из розетки.

- з) Ни в коем случае не позволять детям пользоваться устройством.

КОНСТРУКЦИЯ И НАЗНАЧЕНИЕ ТЕРМОВОЗДУХОВКИ:

Термовоздуховка является ручным электроинструментом. Она отличается малыми размерами, эргономичной формой, низким уровнем шума, большой скоростью выхода воздуха, регулируемой рабочей температуры и скорости воздушного потока.

Устройство предназначено для устранения лакокрасочных покрытий, формирования и сваривания пластмассовых изделий и

для термоусадки термоусаживаемых трубок. Устройство может также использоваться для размягчения клея и размораживания водопроводных труб.

ВНИМАНИЕ! Устройство не предназначено для работы с использованием внешних выключателей-таймеров или отдельной системы дистанционного управления.

Запрещено применять электроинструмент для работ, требующих применения профессионального оборудования. Каждое применение воздуходувки, несоответствующее указанному выше назначению, запрещено и ведёт к потере гарантии, а производитель не отвечает за возникший в результате этого ущерб.

Какие-либо модификации устройства, выполненные пользователем, освобождают производителя от ответственности за повреждения и ущерб, причинённый пользователю и окружающей среде.

■ Состав комплекта:

- Термовоздуходувка - 1 шт.
- Инструкция по обслуживанию - 1 шт.
- Гарантийная карта - 1 шт.

■ Элементы устройства (см. рис. А):

Нумерация элементов устройства относится к изображению, имеющемуся на странице 2 инструкции по обслуживанию:

1. Выходное сопло
2. Дисплей
3. Кнопка записи в память
4. Кнопка выбора программы
5. Кнопка снижения рабочей температуры
6. Кнопка повышения рабочей температуры
7. Кнопка уменьшения скорости воздушного потока
8. Кнопка увеличения скорости воздушного потока
9. Выключатель / Переключатель режима работы
10. Кабель электропитания
11. Тепловая защита

ТЕХНИЧЕСКИЕ ПАРАМЕТРЫ:

Напряжение питания	220-240 В	
Частота напряжения питания	50/60 Гц	
Номинальная мощность	2000 Вт	
Рабочая температура	режим I	50°C
	режим II	50°C~650°C
Скорость воздушного потока	250 л/мин~500 л/мин	
Класс электрической защиты	II	
Вес	0,9 кг	

■ Данные относительно уровня шума

Измеренный уровень звукового давления не превышает 70 дБ(А).

ПРЕЖДЕ ЧЕМ ПРИСТУПИТЬ К РАБОТЕ:

1. Следует убедиться, что параметры источника питания, к которому будет подключена воздуходувка, соответствуют параметрам, указанным на щитке воздуходувки.

2. Убедиться, что главный выключатель находится в положении «выключено». При вставлении штепсельной вилки в розетку, если главный выключатель находится в положении «включено», может произойти несчастный случай, поскольку воздуходувка немедленно начинает работать.
3. В случае работы в месте, удалённом от сетевой розетки, необходимо использовать удлинитель шнура электропитания, сечение проводов которого соответствует величине потребляемого тока. Рекомендуется применять максимально короткие удлинители электропитания. Удлинитель должен быть полностью размотан.

ВОВРЕМЯ РАБОТЫ:

■ Включение / выключение

- Для включения выключатель/переключатель режима работы 9 переместить в положение I или II.
- Для выключения выключатель/переключатель режима работы 9 нажать и переместить до упора в положение 0.

■ Регулирование температуры

Регулирование температуры возможно только после установки режима горячего воздуха II. Установку требуемой температуры можно осуществлять при помощи кнопок 5–6.

Слегка нажимая кнопку 5 можно уменьшать температуру на 10 °C до момента достижения минимального уровня температуры 50 °C.

Слегка нажимая кнопку 6 можно увеличивать температуру на 10 °C до момента достижения максимального уровня температуры 650 °C.

После изменения установки температуры нагрев или охлаждение струи воздуха происходит спустя небольшое время. Целевое значение температуры отображается в это время на дисплее 2 между мигающими стрелками. После достижения требуемой (целевой) температуры стрелки исчезают, а на дисплее отображается текущая температура.

■ Регулировка расхода воздуха

При помощи кнопок 7 и 8 можно регулировать расход воздуха:

Нажимая кратковременно кнопку 7, можно постепенно уменьшать расход воздуха до достижения минимального уровня.

Расход воздуха необходимо уменьшать, например, если окружающая среда, в которой находится обрабатываемый предмет, на должна слишком сильно нагреваться или если обрабатываемый предмет является лёгким и струя воздуха могла бы его передвинуть.

Нажимая кратковременно кнопку 8, можно постепенно увеличивать расход воздуха до достижения максимального уровня.

РЕЖИМЫ РАБОТЫ:

■ Выбор режима работы

Выключатель/переключатель режима работы 9 имеет два рабочих положения (см. рис. А).

Соответствующую скорость потока воздуха и температуру можно установить в соответствии со стабицей:

Режим работы I	250 л/мин~500 л/мин - 50°C
Режим работы II	250 л/мин~500 л/мин - 50°C~650°C

■ Режим работы I (Режим холодного воздуха)

Режим тёплого воздуха I пригоден для охлаждения нагретого обрабатываемого предмета или для сушки краски. Его можно применять также для охлаждения устройства, прежде чем его отложить или осуществить смену насадок-сопел (отсутствуют в комплекте).

Расход воздуха можно регулировать, температура установлена на 50 °C (нельзя её регулировать), невозможна работа в режиме программирования.

ВНИМАНИЕ: После переключения с высокой температуры на низкую необходимо определённое время для охлаждения воздуходувки.

■ Режим работы II (Режим горячего воздуха)

В режиме работы II можно регулировать расход воздуха и температуру; возможна работа в нормальном и программируемом режиме.

При переключении с холодного воздуха на горячий воздух автоматически устанавливаются такие значения расхода воздуха, температуры и программируемого режима, которые были при последней работе в режиме горячего воздуха.

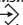
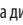
■ Программируемый режим работы

В программируемом режиме работы возможно длительное хранение в памяти установки расхода воздуха и температуры в одной из четырёх программ. Для каждой из программ возможна произвольная комбинация установки расхода воздуха и температуры.

В программируемом режиме работы возможно также в произвольный момент изменить установку расхода воздуха и температуры. Если эти изменения не будут записаны в память устройства, они пропадут после выключения электроинструмента или при переходе в другую программу.

Чтобы перейти на программируемый режим работы, необходимо нажимать кнопку выбора программы 4 до тех пор, пока на дисплее 2 не появится номер требуемой программы.

Чтобы изменить текущую программу, необходимо перейти на требуемую программу, нажимая кнопку 4. Установить требуемый расход воздуха и температуру, используя соответствующие регулировочные кнопки 5, 6, 7 и 8.

Изменение значения для одной из программ сигнализируется миганием в левом верхнем углу дисплея символа . После установки расхода воздуха и температуры, нажимать кнопку записи в память 3 до момента исчезновения знака  на дисплее. Установленные значения будут записаны под указанным на дисплее номером программы.

■ Нормальный режим работы

Чтобы перейти из программируемого режима работы в нормальный режим работы, необходимо нажимать кнопку выбора программы 4 до тех пор, пока на дисплее не исчезнет номер программы (над значением температуры). Расход воздуха и температуру можно в каждый момент изменить при помощи кнопок – для регулировки температуры 5-6 и для регулировки расхода воздуха 7-8.

Значения расхода воздуха и температуры, установленные в нормальном режиме работы, будут сохранены в памяти при соблюдении следующих условий:

- изменение на программируемый режим работы,
- переход в режим холодного воздуха,
- выключение электроинструмента.

УКАЗАНИЕ ПО РАБОТЕ СУСТРОЙСТВОМ:



ВНИМАНИЕ! Во время работы следует избегать перемещения воздуходувки перпендикулярно до обрабатываемой поверхности. Это ведёт к отражению горячего воздуха от поверхности и повторного всасывания его через ротор электродвигателя. Это ведёт к увеличению температуры внутри электродвигателя, что ведёт к повреждению воздуходувки. Воздуходувку необходимо перемещать под углом примерно 45° относительно обрабатываемой поверхности.

Расстояние от сопла до обрабатываемого предмета зависит от обрабатываемого материала, но не может быть меньше 5 см.

Прежде чем выключить устройство необходимо на десять – двадцать секунд установить режим работы на самую низкую температуру и максимально увеличить скорость воздушного потока с целью охлаждения нагревательного элемента. Это повышает срок службы электроинструмента.

■ Откладывание устройства

С целью охлаждения разогретого устройства или в случае, когда обе руки должны быть свободны для работы, необходимо установить воздуходувку вертикально на горизонтальную поверхность (см. рис. В).

ВНИМАНИЕ: Необходимо соблюдать особую осторожность при работе с отложенным устройством! Существует опасность ожога об горячее сопло или струю горячего воздуха.

■ Снятие тепловой защиты

Для работы в труднодоступных местах можно снять тепловую защиту 11.



ВНИМАНИЕ – ГОРЯЧЕЕ СОПЛО!

При работе без тепловой защиты имеется повышенная опасность получения ожогов.

Прежде чем снимать тепловую защиту 11 или накладывать её, необходимо выключить электроинструмент и подождать, пока он полностью не остынет.

Чтобы быстро охладить электроинструмент, можно на короткое время запустить работу в режиме холодного воздуха.

Вывинчивание тепловой защиты 11 осуществляется в направлении против часовой стрелки, а ввинчивание – по часовой стрелке.

ОБСЛУЖИВАНИЕ И ТЕХНИЧЕСКИЙ УХОД:

1. Воздуходувку необходимо содержать в чистоте, обеспечивая свободное протекание воздуха.
2. Защищать воздуходувку от контакта с водой и проникания пыли и других мелких элементов вовнутрь электроинструмента.
3. Пластмассовый корпус воздуходувки нельзя чистить при помощи химических чистящих средств. Применять слегка влажную тряпку и мыло. Воздуходувку можно эксплуатировать только после полного высыхания корпуса в натуральных условиях.
4. Регулярно проверять техническое состояние провода питания. При обнаружении повреждения, провод следует немедленно

заменить.

5. В случае возникновения технических проблем, просим связаться с сервисной службой. Адреса авторизованных сервисных пунктов указаны в гарантийной карте.

ПРОИЗВОДИТЕЛЬ:

ООО «ПРОФИКС»,

ул. Марывильска 34,

03-228 Варшава, ПОЛЬША

ЗАЩИТА ОКРУЖАЮЩЕЙ СРЕДЫ:



ВНИМАНИЕ: Представленный символ означает запрещение размещения использованного оборудования вместе с другими отходами (за это грозит наказание в виде штрафа). Опасные компоненты, имеющиеся в электрическом и электронном оборудовании отрицательно влияют на окружающую среду и здоровье человека.

Домашнее хозяйство должно способствовать восстановлению и повторному использованию (рециклированию) использованного оборудования. В Польше и в Европе создаётся или уже существует система сбора использованного оборудования, в рамках которой все пункты продажи в/у оборудования обязаны принимать использованное оборудование. Кроме того, имеются пункты приёма в/у оборудования.



Политика компании PROFIX - это политика постоянного совершенствования своих изделий, поэтому компания сохраняет за собой право изменения спецификации изделия без предварительного уведомления. Изображения, имеющиеся в инструкции, являются примерными и могут незначительно отличаться от фактического вида приобретённого электроинструмента.

Настоящая инструкция по эксплуатации защищена авторскими правами. Запрещено её копирование и размножение без согласия ООО «ПРОФИКС».



ÎNAINTE DE UTILIZARE, CITIȚI ACESTE INSTRUCȚIUNI.

Păstrează instrucțiunile pentru o folosire viitoare.

ATENȚIE! Citește toate avertismentele referitoare la protecția muncii marcate cu simboluri ⚠ și toate indicațiile referitoare la utilizarea în siguranță.



Nerespectarea avertismentelor de mai jos, poate duce la accidente și la electrocutare, incendii și/sau la vătămări corporale.

Păstrează toate avertismentele și indicațiile referitoare la protecția muncii, pentru a le folosi în viitor.

În avertismentele de mai jos, termenul "unealtă electrică" înseamnă *unealtă care este alimentată de la rețea (cu cablu de alimentare) sau unealtă electrică alimentată din baterie (fără cablu).*



ATENȚIE! Reguli generale de protecție a muncii.

Siguranța la locul de muncă:

- La locul de muncă păstrează curățenii și bună iluminare.** Zonele și bancurile de lucru aglomerate cheamă accidente.
- Nu utilizați unealta electrică în atmosfere explozive, formate din lichide inflamabile, gaze sau lichide.** Unelata electrică produce scântei, care pot aprinde praful sau aburii.
- Țineți copiii departe de locurile în care unealta electrică este folosită.** Distragerea atenției poate duce la pierderea atenției asupra uneltei electrice.



ATENȚIE! Reguli generale cu privire la utilizarea în siguranță a uneltei.

Siguranța electrică:

- Ștecherul uneltei electrice trebuie să fie conforme cu priza.** Este interzisă modificarea ștecherului. Este interzisă utilizarea prelungitoarelor în cazul uneltelor electrice cu cablu de legare la pământ de protecție. Nemođificarea ștecherelor și a prizelor micșorează riscul de electrocutare.
- Evitați să atingeți suprafața de împământenire sau conectările la masă, cum ar fi conducte, radiatoare, radiatoare de încălzire centrală și frigider.** În cazul atingerii părților împământenite, crește riscul de electrocutare.
- Nu expuneți sculele electrice în condiții de ploaie sau mediu umed.** În caz de infiltrație cu apă, crește riscul de electrocutare.
- Nu abuzați de cablurile de conectare.** Nu folosiți cablul de alimentare la mutarea, tragerea uneltei sau tragerea ștecherului din priză. Păstrați cablul de alimentare departe de surse de căldură, ulei, muchii ascuțite sau părți în mișcare. Cablurile deteriorate sau încurcate cresc riscul de electrocutare.
- În cazul în care unealta electrică este folosită în aer liber, conectarea trebuie efectuată cu ajutorul prelungitoarelor destinate funcționării în aer liber.** Folosirea prelungitorului destinat funcționării în aer liber, micșorează riscul de electrocutare.
- În cazul în care unealta electrică este folosită în mediu umed, este inevitabilă, utilizarea unui dispozitiv de protecție împotriva tensiunii de alimentare, cum ar fi aplicarea unui dispozitiv de curent rezidual (RCD).** Folosirea RCD micșorează riscul de electrocutare.



ATENȚIE! Avertismentele generale cu privire la siguranța folosirii uneltei.

Siguranța personală:

- Acest echipament nu este destinat utilizării de către persoane (inclusiv copii) cu abilități fizice reduse, senzoriale sau mentale, sau de persoane care nu au experiență sau nu cunosc echipamentul, cu excepția cazului în care are loc sub supraveghere sau în conformitate cu instrucția de folosire a echipamentului, de către o persoană responsabilă pentru siguranța lor.**
- Trebuie să fii atent, să avari grijă ce faci și să păstrați bun simț în timpul folosirii uneltei electrice.** Nu folosiți unealta electrică, când sunteți obosiți sau sub influența drogurilor, alcoolului sau a medicamentelor. *Un moment de neatenție în timpul lucrului cu unelata electrică poate cauza vătămări personale grave.*
- Folosiți echipament de protecție. Purtați întotdeauna ochelari de protecție.** Folosind echipamentul de protecție cum ar fi masca de praf, pantofi cu anti-alunecare, căști sau protecție auditivă, micșorați riscul de vătămare.
- Evitați pornirea accidentală.** Înainte de conectarea la sursa de alimentare și/sau înainte de conectarea bateriei și înainte de ridicarea sau mutarea uneltei asigurativă că comutatorul uneltei electrice este în poziția oprită. Mutarea uneltei electrice cu degetul pe comutator sau conectarea uneltei electrice la rețeaua de alimentare în poziția pornită poate provoca un accident.
- Înainte de pornirea uneltei electrice îndepărtați toate uneltele din apropiere.** Lăsarea de unelte pe părțile de mișcare ale uneltei electrice poate duce la vătămări corporale.
- Nu vă aplecați prea mult.** Trebuie să stați siguri și să mențineți echilibrul. Acest lucru va permite un control mai bun asupra uneltei electrice în situații neașteptate.
- Îmbrăcați-vă corespunzător.** Nu purtați haine largi sau bijuterii. Țineți părul strâns, hainele și mânușile departe de părțile în mișcare. Hainele largi, bijuteria sau părul lung se pot agra de părțile în mișcare.



ATENȚIE! Avertismentele generale cu privire la folosirea în siguranță a uneltei.

Utilizarea și îngrijirea uneltei electrice:

- Nu supraîncărcați unealta electrică.** Utilizați o unealtă electrică în funcție de puterea necesară muncii efectuate. Unealta electrică corectă va permite o funcționare mai bună și este sigură în cazul însărcinării, pentru care a fost proiectată.
- Este interzisă utilizarea uneltei electrice dacă comutatorul nu pornește și nu oprește unealta.** Fiecare unealtă electrică care nu pornește sau nu se oprește este periculoasă și trebuie reparată.
- Deconectați ștecherul de la sursa de alimentare a uneltei electrice și/sau deconectați bateria înainte de orice setare, schimbare de părți sau depozitare.** Aceste mijloace de protecție reduc riscul unei porniri accidentale a uneltei electrice.
- Unealta electrică nefolosită trebuie depozitată departe de**

copii și nu trebuie împrumută persoanelor care nu cunosc unealta electrică sau care nu au citit această instrucție de folosire a unelei electrice. *Unelata electrică este periculoasă când este folosită de o persoană fără experiență.*

- e) **Unelata electrică trebuie bine întreținută.** Trebuie controlată alinierea sau burierea pieselor în mișcare, ruperea pieselor și alți factori care pot avea influență la funcționarea unelei electrice. Dacă găsim o deteriorare, unelata electrică înainte folosirii trebuie reparată. *Cauza multor accidente este întreținerea necorespunzătoare a unelei electrice.*
- f) **Unelata electrică, echipamentul, uneltele de lucru, etc. trebuie folosite în conformitate cu această instrucție, ținând cont de tipul și condițiile de lucru.** *Utilizarea unelei electrice în alt mod decât este destinația, poate duce la situații periculoase.*
- g) **Pentru curățirea unelei electrice folosiți o cârpă moale, umedă (nu udă) și săpun.** Nu folosiți benzină, diluanți sau alte mijloace care pot deteriora echipamentul.
- h) **Unealta electrică trebuie depozitată/transportată numai după ce ne-am asigurat că toate elementele în mișcare sunt blocate și asigurate cu ajutorul elementelor originale destinate blocării.**
- i) **Unealta electrică trebuie păstrată într-un loc uscat, asigurat împotriva prafului și a umezelii.**
- j) **Transportul unelei electrice trebuie să aibă loc în ambalajul original, asigurat împotriva deteriorărilor mecanice.**



ATENȚIE! Avertismente generale cu privire la folosirea în siguranță a unelei.

Repararea:

- a) **Repararea unelei electrice trebuie efectuată de persoane calificate, care folosesc doar piese de schimb originale.** *Acest lucru asigură că folosirea unelei electrice va fi în siguranță.*



AVERTISMENT! PISTOLUL CU AER CALD, avertismente suplimentare referitoare la siguranță –

Siguranța la locul de muncă:

- a) **Lucrați în loc de muncă bine ventilat.** *Gazele și vaporii care apar în timpul funcționării sunt dăunători sănătății.*
- b) **Utilizarea fără atenție a aparatului poate cauza incendii, de aceea:**
 - trebuie să fiți precauți atunci când utilizați aparatul în locuri în care se află materiale inflamabile;
 - nu îndreptați fluxul de aer fierbinte în același loc timp îndelungat;
 - nu utilizați aparatul în condiții de atmosferă explozivă;
 - căldura poate fi transferată la materialele inflamabile care se află în afara câmpului de vedere, aveți în vedere acest fapt;
 - după utilizarea aparatului trebuie să-l așezați pe suportul acestuia și să-l lăsați să se răcească înainte de a-l depozita;
 - nu lăsați nesupravegheat aparatul pornit.
- c) **Este interzisă îndreptarea vârfului, cu flux de aer fierbinte, înspre alte persoane, animale sau unde se află depozitate materiale inflamabile.**

Siguranță electrică:

- a) **Nu folosiți unelata în timpul ploii sau în condiții de umiditate ridicată.** *Poate fi cauză de rănire sau vătămare corporală prin*

electrocutare.

- b) **În cazul utilizării pistolului în aer liber, folosiți întotdeauna instalație de diferențiere (RCD).** *Folosirea RCD micșorează riscul de electrocutare.*
- c) **Înainte de fiecare pornire, controlați pistolul, cablul de alimentare și ștecherul.** În cazul deteriorării, întrerupeți lucrul și trimiteți unelata la reparare într-un service autorizat (adresa este înscrisă în fișa de garanție). *Continuarea lucrului cu pistolul deteriorat este un pericol pentru sănătate și viață. Niciodată nu deschideți unelata.*
- d) **Nu introduceți elemente în vârf.** *Poate duce la distrugerea unelei și electrocutare.*
- e) **Cablul de alimentare întotdeauna trebuie să fie în spatele unelei.**
- f) **Este interzisă îndreptarea fluxului de aer cald spre cablul de alimentare sau atingerea cablului de alimentare cu vârful firbinte.** *Este pericol de topire a izolației și electrocutare.*
- g) **Este interzisă tragerea sau agățarea de cablul de alimentare.**
- h) **Este interzisă utilizarea unelei electrice cu cablul de alimentare deteriorat.** Este interzisă atingerea cablului deteriorat; în cazul deteriorării în timpul utilizării, scoateți ștecherul din priză. *Cablurile deteriorate cresc riscul de electrocutare.*



AVERTISMENT!

Dacă cablul de alimentare este deteriorat, trebuie înlocuit cu unul nou la producător sau într-un service autorizat, sau de către o persoană calificată pentru a evita pericolul.

Siguranță personală:

- a) **În timpul prelucrării de materiale plastice, vopsele, lac și alte materiale asemănătoare pot apărea gaze inflamabile și otrăvitoare.** Unealta nu poate fi folosită în apropierea gazelor sau a materialelor inflamabile.
- b) **Pentru protecția împotriva aburilor, purtați o mască specială, de protecție împotriva prafului și a aburilor din vopselele cu plumb, și aveți grijă de siguranța celorlalte persoane aflate în locul de muncă.**
- c) **Pericol de arsuri!** Niciodată nu atingeți vârful firbinte. **Folosiți întotdeauna mănuși de protecție.**
- d) **Când unelata este pornită, nu ingerați în vârf.**
- e) **În timpul muncii folosiți întotdeauna ochelari de protecție.**
- f) **Nu folosiți unelata ca un uscător de păr!** *Temperatura aerului din unelata este cu mult mai mare decât temperatura uscătorului de păr.*

Folosirea și grija de unelata electrică:

- a) **Protejați pistolul împotriva loviturilor sau deteriorărilor suprafeței de către obiecte ascuțite.**
- b) **Înainte de începerea folosirii pistolului, controlați dacă orificiile de intrare și ieșire ale aerului și eliminați eventualele elemente care pot bloca trecerea liberă a aerului.**
- c) **Nu ardeți vopseaua, este pericol de incendiu.** *Aveți grijă, ca vopseaua să nu se lipească de vârful pistolului, deoarece după un timp se poate aprinde.*
- d) **Nu acoperiți orificiile de intrare și ieșire a aerului, deoarece**

poate duce la creșterea temperaturii și deteriorarea pistolului. Orificiul de ieșire nu poate fi apropiat de materialul prelucrat mai aproape de 5 cm.

- e) În timpul utilizării și imediat după terminarea lucrului, nu sprijiniți vârful de obiectele din împrejur. Este interzisă lăsarea pistolului pe partea laterală. În cazul în care lăsați jos aparatul acesta trebuie așezat în poziție verticală.
- f) În timpul pauzelor în lucru, în timpul nefolosirii și înainte de orice operații lângă sau cu pistolul (de ex. revizii, curățarea, reglarea) scoateți ștecherul din priză.
- g) Nu permiteți folosirea pistolului de către copii.

CONSTRUCȚIA ȘI DESTINAREA PISTOLULUI:

Pistolul este o unealtă electrică manuală. Se deosebește prin dimensiunile mici, forma ergonomică, nivelul scăzut de zgomot, viteza mare a aerului evacuat, ajustarea temperaturii de lucru și a fluxului de aer.

Unelata este destinată îndepărtării de straturi de vopsea, formarea și sudarea de materiale sintetice precum și strângerea „cămășilor” cu contractare termică. Unealata poate fi folosită deasemenea și la înmoirea cleiului sau dezghețarea cablurilor de canalizare.

ATENȚIE! Dispozitivul nu este conceput pentru a funcționa cu comutatori de timp externi sau cu un sistem separat de control de la distanță.

Este interzisă folosirea uneltei pentru efectuarea de lucrări care necesită folosirea de echipamente profesionale. Fiecare utilizare a pistolului nu în conformitate cu destinația indicată mai sus, este interzisă și poate duce la pierderea perioadei de garanție precum și lipsa de responsabilitate a producătorului pentru prejudiciul rezultata.

Orice modificări făcute de către utilizator, eliberează producătorul de răspunderea pentru daunele și prejudiciile rezultate utilizatorului sau mediului înconjurător.

■ Set de livrare

- Pistol de aer cald - 1 buc.
- Instrucția de folosire - 1 buc.
- Fișa de garanție - 1 buc.

■ Elementele uneltei (vezi fig. A):

Numerotarea elementelor se referă la prezentarea grafică de pe pagina 2 a instrucției de folosire:

1. Duza de ieșire
2. Afșaj
3. Buton înregistrare în memorie
4. Buton selectare program
5. Buton diminuare temperatură de operare
6. Buton de creștere a temperaturii de operare
7. Buton diminuare flux de aer
8. Buton creștere flux de aer
9. Comutator/buton selectare mod de lucru
10. Cablul de alimentare
11. Carcasă termică

SPECIFICAȚII TEHNICE:

Tensiunea de alimentare	220-240 V
Frecvența de alimentare	50/60 Hz

Puterea absorbită	2000W	
Temperatura de operare	mod I	50°C
	mod II	50°C~650°C
Flux de aer	250l/min~500 l/min	
Clasa uneltei	II	
Greutate	0,9 kg	

■ Informație cu referire la zgomot

Nivelul de presiune acustică măsurată este mai mică decât 70 dB(A).

ÎNAINTE DE ÎNCEPEREA LUCRULUI:

1. Asigurați-vă că sursa de alimentare, la care este pistolul conectat, corespunde parametrilor indicați pe tabelul nominat al pistolului.
2. Asigurați-vă, că întrerupătorul central este în poziția oprită. În cazul introducerii ștecherului în priză, în situația în care întrerupătorul este în poziția pornit, poate duce la un accident grav, deoarece pistolul imediat începe funcționarea.
3. În cazul în care locul de lucru este îndepărtat de priză, trebuie utilizat prelungitorul, cu o secțiune corespunzătoare a cablului, corespunzător în funcție de mărimea curentului de trecere. Se recomandă folosirea de prelungitoare cât mai scurte. Prelungitorul trebuie să fie în totalitate întins.

ÎN TIMPUL LUCRULUI:

■ Pornire/oprire

- Pentru a porni comutatorul/butonul de selectare a modului de lucru **9** mutați la poziția I sau II.
- Pentru a opri comutatorul/butonul de selectare a modului de lucru **9** apăsați până la capăt la poziția **0**.

■ Reglarea temperaturii

Ajustarea temperaturii poate fi efectuată doar după setarea modului de aer fierbinte **II**. Temperatura finală poate fi ajustată cu ajutorul butoanelor **5-6**.

Apăsați ușor butonul **5** pentru a reduce temperatura cu 10 °C până la atingerea nivelului minim al temperaturii 50 °C.

Apăsați ușor butonul **6** pentru a ridica temperatura cu 10 °C până la atingerea nivelului minim al temperaturii 650 °C.

Încălzirea sau răcirea jetului de aer începe după scurt timp după schimbarea setărilor de temperatură. Temperatura finală este afișată în acest interval pe afișajul **2** între săgețile care luminează intermitent. După atingerea temperaturii finale, săgețile se sting, iar pe afișaj este afișată temperatura actuală.

■ Ajustarea jetului de aer

Folosiiți butoanele **7-8** pentru a ajusta jetul de aer:

Apăsați scurt timp butonul **7** pentru a reduce treptat jetul de aer până la atingerea nivelului minim.

Jetul de aer trebuie redus, de ex. atunci când mediul în care se află obiectul prelucrat nu trebuie încălzit excesiv sau atunci când obiectul prelucrat este ușor și jetul de aer ar putea să-l miște.

Apăsați ușor butonul **8** pentru a mări jetul de aer până ce atingeți nivelul maxim.

MODURI DE FUNCȚIONARE:

■ Setarea modului de funcționare

Comutatorul/butonul de selectare a modului de lucru **9** poate fi setat în două poziții de funcționare (vezi fig. A).

Fluxulul de aer și temperatura pot fi stabilite în funcție de tabelul:

Modul I	250 l/min~500l/min - 50°C
Modul II	250 l/min~500l/min - 50°C~650°C

■ Mod de lucru I (Suflantă aer rece)

Modul I poate fi folosit pentru răcirea obiectelor prelucrate încăse pentru uscarea vopselei. Poate fi folosit de asemenea pentru răcirea aparatului înainte de depozitare sau de schimbarea duzelor atașabile (nu fac parte din set).

Jetul de aer poate fi ajustat atunci când temperatura este setată la 50 °C (nu poate fi ajustată), nu se poate lucra la modul programat.

UWAGA: *Przy przelączeniu temperatury z wyższej na niższą wymagany jest pewien czas na ochłodzenie opalarki.*

■ Mod de lucru II (Suflantă aer fierbinte)

În modul de lucru II jetul de aer și temperatura pot fi ajustate; aparatul poate funcționa în mod normal și programat.

Atunci când efectuați comutarea de la jetul de aer rece la jet de aer cald, pentru temperatură și eventual program se vor lua în considerare în mod automat valorile care au fost selectate ultima oară atunci când s-a folosit jetul de aer cald.

■ Modul programat de lucru

La modul programat de lucru pot fi memorate definitiv setările jetului de aer și temperaturii la unul dintre cele patru programe. La fiecare program pot fi combinate în orice mod jetul de aer și temperatura.

De asemenea și la modul programat de lucru puteți schimba în orice moment setările jetului de aer și temperatura. În cazul în care aceste schimbări nu sunt înregistrate în memorie, se vor pierde după ce opriți unealta electrică sau după ce selectați un alt program.

Pentru a trece la modul programat de lucru trebuie să apăsați butonul de selectare a programului **4** până ce pe afișaj **2** apare numărul programului dorit.

Pentru a schimba programul existent trebuie să treceți la programul selectat apăsând butonul **4**. Setări jetul dorit de aer și temperatura folosind butoanele corespunzătoare de ajustare **5, 6, 7 și 8**.

Schimbarea valorii într-unul dintre programe este semnalizată prin luminarea intermitentă în colțul stângă sus al afișajului a simbolului →. După setarea jetului de aer și a temperaturii apăsați butonul de memorare **3** până la stingerea semnelui → pe afișaj. Valorile setate au fost memorate sub numărul programului indicat pe afișaj.

■ Mod normal de lucru

Pentru a trece de la modul programat de lucru la modul normal de lucru trebuie să apăsați butonul de selectare a programului **4** până ce pe afișaj dispăre numărul programului (deasupra temperaturii). Jetul de aer și temperatura pot fi schimbate în orice moment cu ajutorul butoanelor – pentru ajustarea temperaturii **5-6** și pentru ajustarea jetului de aer **7-8**. Valorile setate la modul normal de lucru referitoare la jetul de aer și temperatură rămân memorate după îndeplinirea următoarelor condiții:

- schimbare la modul programat de lucru,
- trecere la suflarea de aer rece,
- oprirea unelei electrice.

INSTRUCȚIUNI DE OPERARE:



ATENȚIE! În timpul funcționării, evitați introducerea perpendiculară a pistolului în funcție de suprafața prelucrată. Acest lucru duce la reflecția aerului fierbinte de pe suprafața prelucrată și aspirarea de către rotorul motorului. Duce la creșterea temperaturii în interiorul motorului, lucru ce duce la deteriorarea pistolului. Pistolul trebuie îndreptat sub unghiul de 45° în funcție de suprafața prelucrată.

Distanța dintre duză și obiectul prelucrat depinde de materialul prelucrat, dar nu poate fi mai mică de 5 cm.

Înainte de a opri aparatul trebuie setați modul de lucru al aparatului pentru mai mult de zece secunde la cea mai mică temperatură și să setați la maxim viteza fluxului de aer pentru a răci elementul de încălzire. Acest lucru prelungește durata de viață a aparatului.

■ Repausul unelei

Pentru a răci aparatul sau pentru a folosi ambele mâini în timpul lucrului trebuie să așezați pistolul cu aer cald în poziție verticală pe o suprafață orizontală (vezi fig. B).

ATENȚIE: *La lucrări lângă unealta în repaus, trebuie să fiți foarte atenți! Există pericolul de arsuri la contact ci vârful încins sau la curentul de aer fierbinte.*

■ Îndepărtarea carcasei termice

Pentru a lucra în locurile greu accesibile puteți și așa carcasa termică **11**.



ATENȚIE LA DUZA FIERBINTE!

Atunci când lucrați fără carcasa termică există riscul sporit de apariție a arsurilor.

Înainte de a demonta sau de a monta carcasa termică **11** trebuie să opriți unealta electrică și să așteptați până ce aceasta se răcește integral.

Pentru a asigura răcirea rapidă a unelei electrice puteți porni pentru scurt timp suflanta la modul de suflare cu aer rece.

Desfiletarea carcasei termice **11** are loc în direcția opusă celei a mișcării acelor de ceas, iar înfiletarea în direcția conformă cu mișcarea acelor de ceas.

UTILIZAREA ȘI ÎNTREȚINEREA:

1. Pistolul trebuie întreținut curat, asigurând o trecere liberă a aerului.
2. Protejați pistolul împotriva contactului cu apa și infiltrarea de praf, mizerie sau altor elemente mici în interiorul mașinii.
3. Carcasa de plastic a pistolului nu poate fi curățată cu ajutorul agenților chimici de curățare. Folosiți o cârpă ușor umedă și săpun. Pistolul poate fi utilizat doar după uscarea în întregime a carcasei în condiții naturale.
4. Regulați controlați starea tehnică a cablului de alimentare și în cazul deteriorării, înlocuiți cablul de alimentare cu unul nou.
5. În cazul în care întâmpinați probleme tehnice vă rugăm să luați legătura cu un punct de service. Adresele punctelor de service autorizate sunt indicate în fișa de garanție.

PRODUCĂTOR:

PROFIX Sp. z o.o.,
str. Marywilka 34,
03-228 Varșovia, POLONIA

■ **PROTEȚIA MEDIULUI ÎNCONJURĂTOR:**



ATENȚIE: Simbolul prezentat înseamnă interdicția de a amplasa aparatul uzat împreună cu alte deșeuri (sub amenințarea unei amenzi). Componentele periculoase aflate în aparatura electrică și electronică influențează negativ mediul natural și sănătatea oamenilor.

Fiecare gospodărie casnică trebuie să contribuie la redobândirea și refolosirea (recykling) aparaturii uzate. Atât în Polonia, cât și în Europa se organizează sau deja există sistemul de culegere a aparaturii uzate, în cadrul căruia toate punctele de vânzare a respectivei aparaturi sunt obligate să preia aparatura uzată. În plus, există centrele de colectare a acestuia tip de aparatură.




Politica firmei PROFIX este aceea de perfecționare continuă a produselor sale și de aceea firma își rezervă dreptul de modificare a specificației produsului fără înștiințarea anterioară. Imaginile indicate în instrucțiunile de utilizare sunt doar exemple și se pot diferi puțin de aspectul real al dispozitivului achiziționat.

Prezenta instrucțiune este protejată prin dreptul de autor. Copierea/înmulțirea fără acordul în scris al firmei PROFIX Sp. z o.o. este interzisă.

**PIRMS DARBA SĀKUMA NEPIECIEŠAMS IEPAZĪTIES AR ŠO INSTRUKCIJU.**

Saglabā instrukciju varbūtējai turpmākai lietošanai.



BRĪDINĀJUMS! Nepieciešams izlasīt visus brīdinājumus apzīmētus ar simboliem , kuri attiecas uz lietošanas drošību un visus lietošanas drošības norādījumus.

Neievērojot zemāk uzrādītos drošības brīdinājumus un norādījumus attiecībā uz drošību var būt par elektriskās strāvas triecienu, ugunsgrēku un/vai nopietnu traumu iemeslu.

Ievērot visus brīdinājumus un norādījumus attiecībā uz drošību, lai tos turpmāk varētu izmantot.

Zemāk uzrādītos brīdinājumus „elektroinstruments” nozīmē elektroinstrumentu, kurš tiek barots no elektriskā tīkla (ar barošanas vadu) vai elektroinstruments barots no akumulatora (bezvadu).



BRĪDINĀJUMS! Vispārējie instrumenta drošas lietošanu norādījumi.

Darba vietas drošība:

- Darba vietā nepieciešams uzturēt kārtību un labu apgaismojumu. Nekārtība un slikts apgaismojums ir negadījumu iemesls.
- Nedrīkst lietot elektroinstrumentu sprāgstošā, viegli uzliesmojošā, gāzu un putekļainā vidē. Elektroinstrumenta darbības laikā rodas dzirksteles, no kurām var aizdegties putekļi un tvaiki.
- Vietā, kur tiek lietoti elektroinstrumenti nevar atrasties bērni un novērotāji. Novērot uzmanību var zaudēt kontroli par elektroinstrumentu.



BRĪDINĀJUMS! Vispārējie instrumenta drošas lietošanu norādījumi.

Elektriskā drošība:

- Elektroinstrumenta kontaktakšņiem jābūt pielāgotām pie kontaktligzdām. Nekad nekādā gadījumā nedrīkst mainīt kontaktakšņus. Nedrīkst lietot nekādus pagarinātājus gadījumā, ja elektroinstruments ir apgādāts ar vadu ar aizsardzības iezemējuma dzislu. Ja netiek darītas kontaktakšņu un kontaktligzdu izmaiņas, tas samazina elektriskā triecienu risku.
- Nepieciešams izvairīties no iezemētām virsmām vai savienotām ar masu, kā piemēram caurules, sildītāji, centrālāpkrures radiatoru un dzesinātāji. Gadījumā, ja notiek kontakts ar iezemētām vai ar masu savienotām daļām pieaug elektriskās strāvas triecienu risks.
- Nedrīkst pakļaut elektroinstrumentus uz lietus vai mitruma iedarbību. Gadījumā, ja elektroinstrumentā iekļūst ūdens pieaug elektriskās strāvas triecienu risks.
- Nedrīkst pārslogot savienojuma vadus. Nekad nedrīkst lietot savienojuma vadu elektroinstrumenta pārnēsāšanai, vilkšanai vai izvilkot kontaktakšņus no kontaktligzdas aiz vada. Nepieciešams turēt savienojuma vadu tālu no siltuma avotiem, eļļainām, asām šķautnēm vai kustīgām daļām.

Bojāti vai sapīti savienojuma vadi palielina elektriskās strāvas triecienu risku.

- Gadījumā, ja elektroinstruments tiek lietots ārpusē, savienojuma vadus nepieciešams pagarināt ar pagarinātājiem, kuri ir piemēroti darbam ārpusē. Lietojot pagarinātājus piemērotus darbam ārpusē samazinās elektriskās strāvas triecienu risks.
- Gadījumā, ja ir nepieciešama lietot elektroinstrumentu mitrā vidē, par sprieguma aizsardzību nepieciešams lietot strāvas starpības ierīci (RCD). Lietojot RCD samazinās elektriskās strāvas triecienu risks.



BRĪDINĀJUMS! Vispārējie instrumenta drošas lietošanu norādījumi.

Individuālā drošība:

- Šī ierīce nav piemērota lietot cilvēkiem (tai skaitā bērniem) ar ierobežotām fiziskām, jūtības un psihiskām spējām, vai cilvēkiem bez ierīces darbības pieredzes vai zināšanām, izņemot, ja tas notiek uzraudzībā vai saskaņā ar ierīces lietošanas instrukciju, ar kuru ir iepazinūšas par drošību atbildīgas personas.
- Elektroinstrumenta lietošanas laikā nepieciešams būt tālredzīgiem, novērot kas notiek un saglabāt skaidru saprātu. Nedrīkst lietot elektroinstrumentu noguruma laikā vai narkotisku vielu, alkohola vai zāļu iedarbībā. Neuzmanības mirklis strādājot ar elektroinstrumentu var radīt nopietnas ķermeņa traumas.
- Nepieciešams lietot individuālos aizsardzības līdzekļus. Vienmēr nepieciešams lietot aizsargbrilles. Lietojot attiecīgos apstākļos aizsardzības līdzekļus, tādus kā putekļu maskas, neslidošus apavus, ķiveres vai dzirdes aizsardzības līdzekļus, samazināsies individuālās traumas.
- Nepieciešams izvairīties no neparedzētām kustībām. Pirms pieslēgšanas pie barošanas avota un/vai pirms akumulatora pieslēgšanas kā arī pirms tam, kad paceļam vai pārceļam ierīci nepieciešams pārliecināties, ka elektroinstrumenta slēdzis atrodas izslēgšanas stāvoklī. Pārnēsāt elektroinstrumentu ar pirkstu uz slēdža vai barošanas tīklā pieslēgtu elektroinstrumentu pie ielēgta slēdža var būt par negadījumu iemeslu.
- Pirms elektroinstrumenta palaišanas nepieciešams novākt visas atslēgas. Atslēga atstāta rotējošā elektroinstrumenta tuvumā var radīt individuālas traumas.
- Nedrīkst pārlieku tālu izliecties. Visu laiku nepieciešams stāvēt stabili un saglabāt līdzsvaru. Tas dos iespēju neparedzētās situācijās labāk kontrolēt elektroinstrumentu.
- Nepieciešams attiecīgi ģērbties. Nedrīkst nēsāt vaļīgas apģērbus vai rotas lietas. Nepieciešams turēt savus matus, apģērbus un cimdus tālu no kustīgām daļām. Vaļīgs apģērbs, rotas lietas vai gari mati var tikt aizķerti ar kustīgām daļām.



BRĪDINĀJUMS! Vispārējie instrumenta drošas lietošanu norādījumi.

Lietošana un gādība par elektroinstrumentu:

- a) Nedrīkst pārslēgt elektroinstrumentu. Nepieciešams piemērot elektroinstrumentu veiktajam darbam. Pareizs elektroinstruments nodrošinās labāku un drošāku darbu pie slodzes, kādam tas tika projektēts.
- b) Nedrīkst lietot elektroinstrumentu, ja slēdzis to neieslēdz un neizslēdz. Katrs elektroinstruments, kuru nevar ieslēgt vai izslēgt ar slēdzi ir bīstams un to nepieciešams labot.
- c) Nepieciešams atvienot elektroinstrumenta kontaktdakšņu no barošanas avota un/vai atslēgt akumulatoru pirms tiek veikta jebkāda uzstādīšana, detaļu maiņa vai instrumenta glabāšana. Tādas drošības darbības reducē neparedzētu elektroinstrumenta palaišanu.
- d) Nelietotu elektroinstrumentu nepieciešams glabāt bērniem nepieejamās vietās un nedrīkst atļaut personām, kuras nav iepazīnušas ar elektroinstrumentu vai šo lietošanas instrukciju lietot elektroinstrumentu. Elektroinstrumenti ir bīstami neapmācītu lietotāju rokās.
- e) Elektroinstrumentu nepieciešams konservēt. Nepieciešams pārbaudīt asu sakrītību vai kustīgo daļu iekļūšanas, detaļu plūsmu un visus apstākļus, kuri varētu ietekmēt elektroinstrumenta darbu. Ja tiek konstatēts bojājums, elektroinstrumentu pirms lietošanas nepieciešams salabot. Daudzu negadījumu iemesls ir nepareiza elektroinstrumenta konservācija.
- f) Elektroinstrumentu, aprīkojumu, darba instrumentus un tml. nepieciešams lietot saskaņā ar šo instrukciju, ņemot vērā darba apstākļus un veicamo darbu. Lietot elektroinstrumentu tam neparedzētā veidā var novest pie bīstamām situācijām.
- g) Elektroinstrumentu tīrīšanai lietot mikstu, mitru (ne slapju) drānu un ziepes. Nelietot benzīnu, šķīdinātājus un citus līdzekļus, kuri varētu sabojāt ierīci.
- h) Elektroinstrumentu nepieciešams glabāt / transportēt iepriekš pārliecinoties, ka visas kustīgās daļas ir nobloķētas un nodrošinātas pret atbloķēšanu ar oriģināliem šim nolūkam paredzētiem elementiem.
- i) Elektroinstrumentu nepieciešams glabāt sausā, no putekļiem un mitruma sargātā vietā.
- j) Elektroinstrumenta transportēšanu jāveic oriģinālā iepakojumā, kurš pasargā no mehāniskiem bojājumiem.



BRĪDINĀJUMS! Vispārējie instrumenta drošas lietošanu norādījumi.

Remonts:

- a) Elektroinstrumenta remontu nepieciešams veikt tikai kvalificētam speciālistam, lietojot tikai oriģināls rezerves daļas. Tas elektroinstrumenta lietotājam nodrošinās turpmāku drošību.



BRĪDINĀJUMS! KARSTĀ GAISA PLŪSMAS ĢENERATORS, papildus drošības brīdinājumi –

Darba vietas drošība:

- a) Nepieciešams strādāt labi ventilētā darba vietā. Gāzes un tvaiki, kuri rodas darba laikā bieži ir bīstami veselībai.
- b) Neuzmanīgi rīkojoties ar ierīci var būt par ugunsgrēka

iesmeslu, tāpēc:

- lietojot ierīci vietās, kur atrodas uzliesmojoši materiāli, nepieciešams ievērot uzmanību;
- nedrīkst vērst siltā gaisa plūsmu ilgu laiku vienā vietā;
- nelietot ierīci sprāgstošās atmosfēras klātbūtnē;
- nepieciešams apzināties, ka siltums var pārnesties uz ārpus redzes loka atrodošiem degošiem materiāliem;
- pēc ierīces lietošanas nepieciešams to novietot uz tā paliktņa un pirms noslēšanas atstāt atdzišanai;
- neatstāt ierīci ieslēgtu bez uzraudzības.

- c) Nedrīkst virzīt sprauslu ar izplūstošu karstā gaisa plūsmu citu cilvēku, dzīvnieku un viegli uzliesmojošu materiālu virzienā.

Elektriskā drošība:

- a) Nelietot ierīci lietus laikā vai paaugstinātā mitruma apstākļos. Tas var būt par ievainojuma vai dzīvībai bīstama elektriskās strāvas trieciena iemeslu.
- b) Lietojot fēnu atklātā vietā nepieciešams lietot strāvas plūsmas starpības ierīci (RCD). Lietojot RCD samazināsies elektriskā trieciena risks.
- c) Pirms katras ieslēgšanas pārbaudīt ierīci, barošanas vadu un kontaktdakšņu. Bojājumu ievērošanas gadījumā pārtraukt darbu un ierīci nogādāt pilnvarotā servisa punktā (adrese uzrādīta garantijas kartē). Turpināt darbu ar bojātu fēnu apraud veselību un dzīvību. Nekad patstāvīgi neatvērt ierīci.
- d) Sprauslā neiespraut nekādus priekšmetus. Tas var radīt ierīces defektu un elektriskās strāvas triecieni.
- e) Barošanas vadu vienmēr turēt ierīces aizmugurē.
- f) Nedrīkst virzīt karstā gaisa plūsmu uz barošanas vadu un ar sakarsētu sprauslu pieskarties pie barošanas vada. Tas draud ar izolācijas izkušanu un elektriskās strāvas triecieni.
- g) Nepārnēsāt un nekarināt ierīci aiz barošanas vada.
- h) Nedrīkst lietot elektroinstrumentu ar bojātu barošanas vadu. Nedrīkst pieskarties pie bojātā vada; gadījumā, ja barošanas vads tiek bojāts darba laikā, nepieciešams izvilkt kontaktdakšņu no kontaktligzdas. Bojāti vadi palielina elektriskās strāvas trieciena risku.



BRĪDINĀJUMS!

Ja neatvienojamais barošanas vads tiek bojāts, to nepieciešams apmainīt pie ražotāja vai specializētā remonta darbnīcā, vai bīstamības novēršanai to veic kvalificēta persona.

Individuālā drošība:

- a) Plastmasas, krāsu, laku un tamlīdzīgu materiālu apstrādes laikā var rasties viegli uzliesmojošas un indīgas gāzes. Instrumentu nedrīkst lietot viegli uzliesmojošu gāzu un materiālu tuvumā.
- b) Tvaiku aizsardzībai lietot speciālu masku, kura sargā no putekļiem un svina krāsu tvaikiem, un parūpēties arī par citu darba vietas tuvumā esošo cilvēku drošību.
- c) Applaušanās bīstamība! Nekad nepieskarties pie karstas sprausla. Vienmēr lietot aizsarg cimdus.
- d) Kad ierīce ir ieslēgta nekad neskatīties sprauslā.
- e) Darba laikā vienmēr lietot aizsargbrilles.

- f) **Nelietot ierīci matu žāvēšanai!** Ierīces gaisa temperatūra ievērojami pārsniedz matu žāvēšanas fēna gaisa temperatūru.

Lietošana un gādība par elektroinstrumentu:

- a) Sargāt fēnu no sitieniem vai asu priekšmetu virsmas bojājumiem.
- b) Pirms fēna lietošanas sākuma vispirms nepieciešams pārbaudīt gaisa ieplūdi un izplūdi un likvidēt varbūtējus gaisa brīvas plūsmas elementus.
- c) Nededzināt krāsu, tas var izraisīt ugunsgrēku. Uzmaniēties, lai krāsa nepielīmētos pie sprauslas, par cik pēc kāda laika tā var aizdegties.
- d) Neapsegt gaisa ieplūdes atveres kā arī sprauslas izeju, par cik tas var radīt pārmērīgu temperatūras paaugstināšanos un ierīces defektu. Sprauslas atveri nav ieteicams tuvināt pie apstrādājamā priekšmeta tuvāk par 5 cm.
- e) Darba laikā un uzreiz pēc tā beigām neatbaltīt sprauslu pie jebkāda priekšmeta. Nedrīkst nolikt fēnu uz tā sāniem. Ja noliekam karstā gaisa fēnu, tad tam vienmēr jāatrodas vertikālā stāvoklī.
- f) Visu darbu pārtraukšanas, ierīces nelietošanas laikā un pirms sākam jebkādas darbības ar ierīci (piem. apskate, tīrīšana, regulēšana) izvilkt kontaktdakšīņu no kontaktlīdza.
- g) Bērniem nekad neatļaut apkalpot ierīci.

FĒNA UZBĒVE UN PIELIETOJUMS:

Fēns ir rokas elektroinstruments. Raksturojas ar maziem izmēriem, ergonomisku formu, zemu trokšņa līmeni, lielu izplūstošā gaisa ātrumu, darba temperatūras un gaisa plūsmas regulēšanu.

Ierīce ir paredzēta krāsas pārklājumu, noņemšanai, plastmasas formēšanai un limēšanai kā arī termiski saraužojošu cauruļu uznavu sildīšanai. Ierīci var lietot arī līmes mikstināšanai un ūdensvada cauruļu atsaldēšanai.

UZMANĪBU! Ierīce nav paredzēta darbam ar ārējiem laika izslēdzējiem vai atšķirīgu tālvadības regulācijas sistēmu.

Nedrīkst lietot ierīci darbos, kur nepieciešama profesionāla iekārtu lietošana. Katra fēna lietošana neatbilstoši ar augstāk minēto pielietojumu ir aizliegta un noved līdz garantijas zaudēšanai kā arī ražotājs nēpansē atbildību par šādā veidā radušajiem zaudējumiem.

Jebkāda ierīces modifikācija, kuru veic lietotājs atbrīvo ražotāju no atbildības par lietotāja un apkārtējās vides defektiem un zaudējumiem.

■ Komplektācija

- Fēns - 1 gab.
- Apkalpošanas instrukcija - 1 gab.
- Garantijas karte - 1 gab.

■ Ierīces elementi (skat. zīm.:A):

Ierīces elementu numerācija attiecas uz grafisko attēlu apkalpošanas instrukcijas 2.lapaspusē:

1. Izplūdes sprausla
2. Displejs
3. Atmiņas ierakstīšanas taustiņš
4. Programmas izvēles taustiņš

5. Darba temperatūras samazināšanas regulators
6. Darba temperatūras palielināšanas regulators
7. Gaisa plūsmas samazināšanas regulators
8. Gaisa plūsmas palielināšanas regulators
9. Slēdzis / Darba režīma slēdzis
10. Barošanas vads
11. Siltuma pārsegs

TEHNISKIEDATI:

Barošanas spriegums	220-240 V
Barošanas frekvence	50/60 Hz
Jauda	2000W
Darba temperatūra	režīms I 50°C
	režīms II 50°C~650°C
Gaisa plūsma	250l/min~500 l/min
Instrumenta klase	II
Masa	0,9 kg

■ Trokšņa informācija

Ierīces izmērītais akustiskā spiediena līmenis ir zemāks par 70 dB(A).

PIRMS DARBA SĀKUMA:

1. Pārliecināties, ka barošanas avota parametri, pie kura tiks pieslēgts fēns, atbilst parametriem uzrādītiem uz fēna plāksnītes.
2. Pārliecināties vai galvenais slēdzis atrodas izslēgšanas stāvoklī. Gadījumā, ja iespraužot kontaktdakšīņu kontaktlīdžā, galvenais slēdzis atrodas ieslēgšanas stāvoklī, var notikt nopietns negadījums, par cik uzreiz sākas fēna darbība.
3. Gadījumā, ja darba vieta ir attālināta no kontaktlīdza, nepieciešams lietot pagarinātāju ar attiecīgu vadu šķērsgriezumu, piemērotu strāvai. Ieteicams lietot pēc iespējas īsus pagarinātājus. Pagarinātājam jābūt pilnībā attītam.

DARBA LAIKĀ:

■ Ieslēgšana/izslēgšana

- Ierīci ieslēdz darba režīma slēdži 9 pārvietojot stāvoklī I vai II.
- Ierīci izslēdz darba režīma slēdži 9 pārvietojot līdz galam stāvoklī 0.

■ Temperatūras regulēšana

Temperatūras regulēšana ir iespējama tikai pēc karstā gaisa režīma II uzstādīšanas. Nepieciešamo temperatūru var regulēt ar taustiņiem 5-6. Viegli nospiežot taustiņu 5 varam samazināt temperatūru par 10 °C līdz sasniedzam minimālo temperatūras līmeni 50 °C.

Viegli nospiežot taustiņu 6 varam paaugstināt temperatūru par 10 °C līdz sasniedzam maksimālo temperatūras līmeni 650 °C.

Pēc temperatūras uzstādījumu maiņas, gaisa plūsmas sasildīšana vai atdzesēšana notiek tika pēc īsa brīža. Vēlamā temperatūra šini laikā tiek uzrādīta uz displeja 2 starp mirgojošām bultiņām. Pēc vēlamās temperatūras sasniegšanas, bultiņas nodzies, un uz displeja parādās aktuālā temperatūra.

■ Gaisa plūsmas regulēšana

Ar taustiņiem 7-8 var regulēt gaisa plūsmu:

Īsi nospiežot taustiņu 7 var pakāpeniski samazināt gaisa plūsmu līdz tiks sasniegts minimālais līmenis.

VIDES AIZSARDŽĪBA:



UZMANĪBU: Tajā veidā apzīmētus izstrādājumus, neizpildes gadījumā paredzot naudas sodu, nedrīkst izmest kopā ar parastiem atkritumiem. Elektriskajā un elektroniskajā iekārtā esošas briesmīgas vielas var kaitēt apkārtējai videi un cilvēku veselībai.

Nepieciešams veicināt iekārtu atkritumu pārstrādāšanai un atkārtotai izmantošanai (reciklēšanai). Polijā un Eiropā tiek veidots, vai jau eksistē, iekārtu atkritumu vākšanas sistēma, saskaņā ar ko visiem iepriekšminētās iekārtas pārdošanas punktiem ir pienākums pieņemt nolietotu iekārtu. Turklāt, ir pieejamas iepriekšminētās iekārtasvākšanas punkti.



Firmas PROFIX politika ir nepārtraukta savu produktu pilnveidošanas politika, tāpēc firma sev rezervē tiesības ievest izstrādājuma specifikācijas izmaiņas bez iepriekšējas paziņošanas. Zīmējumi, kuri uzrādīti apkalpošanas instrukcijā kalpo tikai kā piemērs un var nedaudz atšķirties no iegādātās ierīces reālā izskata.

Šī instrukcija ir sargāta ar autortiesībām. Aizliegts to kopēt/pavairot bez PROFIX SIA rakstiskas atļaujas.

**PŘED ZAHÁJENÍM POUŽÍVÁNÍ SE SEZNAMTE S TÍMTO NÁVODEM.**

Uchovávejte návod pro případné další použití.

**POZOR!** Přečtěte si všechny výstrahy týkající se bezpečnosti používání označené symbolem ⚠ a veškeré pokyny týkající se bezpečnosti používání.

Nedodržování uvedených bezpečnostních výstrah a bezpečnostních pokynů může být příčinou zásahu elektrickým proudem, požáru a/nebo závažných úrazů.

Uchovejte výstrahy a pokyny týkající se bezpečnosti pro případné použití v budoucnosti.

V níže uváděných výstrahách pojem „elektronářadí“ znamená elektronářadí napájené z elektrické sítě (elektrickým vodičem) nebo elektronářadí napájené baterií (bezdrátově).

**VÝSTRAHA!** Všeobecné výstrahy týkající se bezpečného používání nářadí.**Bezpečnost na pracovišti:**

- Udržujte na pracovišti pořádek a zajistěte zde dobré osvětlení.** Nepořádek a špatné osvětlení často zapříčiňují nehody.
- Nepoužívejte elektronářadí ve výbušném prostředí tvořeném hořlavými tekutinami, plyny nebo prachem.** Elektronářadí vytváří jiskry, které by mohly zapálit prach nebo výparu.
- Nepouštějte děti ani jiné pozorovatele na místa, kde se používá elektronářadí.** Rušení pozornosti může způsobit ztrátu kontroly nad elektronářadím.

VÝSTRAHA! Všeobecné výstrahy týkající se bezpečného používání nářadí.**VÝSTRAHA!** Všeobecné výstrahy týkající se bezpečného používání nářadí.**Elektrická bezpečnost:**

- Zástrčky nářadí musí odpovídat zásuvkám. Nikdy žádným způsobem nepředělávejte zástrčky. V případě elektronářadí, které má vodič s ochranným uzemněním, nepoužívejte žádné prodlužovačky.** Původní nepředělané zástrčky a zásuvky snižují riziko zásahu elektrickým proudem.
- Vyvarujte se dotýkání uzemněných ploch nebo takových, které jsou spojené s hmotou, jako jsou trubky, ohříváče, radiátory ústředního topení a chladničky. V případě dotýkání takových ploch a předmětů roste riziko zásahu elektrickým proudem.**
- Nevystavujte elektronářadí na působení deště nebo vlhka.** Pokud by se do elektronářadí dostala voda, roste riziko zásahu elektrickým proudem.
- Kabely se nesmí žádným způsobem namáhat. Nikdy nepoužívejte kabel k nošení, tažení elektronářadí nebo k vytahování zástrčky ze zásuvky. Kabel musí být umístěn daleko od zdrojů tepla, oleje, ostrých hran nebo pohyblivých částí. Poškozené nebo propletené kabely zvyšují riziko zásahu elektrickým proudem.**
- V případě, že se elektronářadí používá venku, je třeba prodlužovat elektrické kabely prodlužovači určenými na práci venku. Používání prodlužovače určeno do venkovního**

prostředí snižuje riziko zásahu elektrickým proudem.

- Pokud je nezbytné použití elektronářadí ve vlhkém prostředí, je třeba použít jako ochranu proudový chránič (RCD).** Použití RCD snižuje riziko zásahu elektrickým proudem.

**VÝSTRAHA!** Všeobecné výstrahy týkající se bezpečného používání nářadí.**Osobní bezpečnost:**

- Toto zařízení nesmí používat osoby (včetně dětí) s omezenou fyzickou, smyslovou nebo psychickou schopností, nebo osoby, které nemají odpovídající zkušenosti nebo znalosti zařízení, leda že je používají s příslušným dozorem, nebo v souladu s návodem na používání zařízení, který jim předají osoby zodpovědné za jejich bezpečnost.**
- Při používání elektronářadí je třeba být předvídavý, pozorovat, co se děje, a používat zdravý rozum. Nepoužívejte elektronářadí, pokud jste unaveni nebo pod vlivem drog, alkoholu nebo léků. Chvilvé nepozornosti při práci s elektronářadím může způsobit závažné osobní úrazy.**
- Je třeba používat osobní ochranné prostředky. Je třeba vždy používat ochranné brýle. Používání v příslušných podmínkách takových ochranných prostředků, jako je protiprachová respirační maska, protiskluzová obuv, přilba nebo chrániče sluchu, snižuje nebezpečí osobních úrazů.**
- Je třeba se vyhnout neplánovanému spuštění. Před připojením k elektrickému zdroji a/nebo před zapojením baterie a než se nářadí zvedne, nebo přenesení, je třeba se ujistit, že je vypínač elektronářadí v poloze vypnuto. Přenášení elektronářadí s prstem na vypínači nebo připojení elektronářadí do sítě se zapojeným vypínačem může být příčinou nehody.**
- Před spuštěním elektronářadí je třeba odstranit všechny klíče. Ponechání klíče v otáčející se části elektronářadí může způsobit poranění.**
- Je zakázáno přilížit se naklánět. Po celou dobu musíte stát pevně a udržovat rovnováhu. Umožní Vám to dobře kontrolovat elektronářadí při nepředvídatelných situacích.**
- Je třeba mít vhodné oblečení. Při práci nenoste volné oblečení ani bižuterii. Je třeba zajistit, aby Vaše vlasy, oblečení a rukavice byly v bezpečné vzdálenosti od pohyblivých částí. Volné oblečení, bižuterie nebo dlouhé vlasy se mohou zachytit do pohyblivých částí.**

**VÝSTRAHA!** Všeobecné výstrahy týkající se bezpečného používání nářadí.**Používání elektronářadí a péče o ně:**

- Elektronářadí se nesmí přetěžovat. Je třeba používat elektronářadí s výkonem vhodným pro provádění určité práce. Správné elektronářadí umožní lepší a bezpečnější práci se zážďí, na kterou bylo naprojektováno.**
- Elektronářadí, u kterého nefunguje spínač, se nesmí používat. Každé elektronářadí, které nelze zaplnit nebo vypínat spínačem, je nebezpečné a je třeba je opravit.**

- c) Před provedením každého seřízení, výměny součástky nebo před skladováním odpojte zástrčku elektronářadí od zdroje elektrického proudu a/nebo odpojte baterii. Takový bezpečnostní postup omezuje riziko náhodného spuštění elektronářadí.
- d) Nepoužívané elektronářadí uchovávejte mimo dosah dětí a nedovoďte přístup osobám, které nejsou obeznámené s elektronářadím nebo s tímto návodem na používání elektronářadí. Elektronářadí může být nebezpečné v rukách nevyškolených uživatelů.
- e) Elektronářadí je třeba udržovat. Je třeba kontrolovat souosost nebo zaseknutí pohyblivých částí, praskliny součástí a veškeré další faktory, které by mohly ovlivnit činnost elektronářadí. Pokud zjistíte poškození, musíte elektronářadí před použitím opravit. Příčinou mnohých nehod je neodborná údržba elektronářadí.
- f) Elektronářadí, vybavení, pracovní nástroje apod. používejte v souladu s tímto návodem, při čemž zohledňujte pracovní podmínky a druh prováděné práce. Používání jiným způsobem, pro který není elektronářadí určeno, může způsobit nebezpečné situace.
- g) K čištění elektronářadí používejte měkký, vlhký (ne mokry) hadřík a mýdlo. Nepoužívejte benzin, rozpouštědla a další prostředky, které by mohly poškodit zařízení.
- h) Elektronářadí je třeba skladovat / dopravovat až potom, co se ujistíte, že jsou veškeré jeho pohyblivé součásti zablokované a zajištěné proti odblokování s použitím původních součástek určených k tomuto účelu.
- i) Elektronářadí skladujte na suchém místě chráněném proti prachu a průniku vlhkosti.
- j) Doprava elektronářadí by měla probíhat v původním obalu tak, aby bylo chráněné proti mechanickému použití.



VÝSTRAHA! Všeobecné výstrahy týkající se používání nářadí.

Oprava:

- a) Opravy elektronářadí je třeba objednávat výhradně u kvalifikované osoby, využijte původní náhradní součástky. Zajistíte tím, že používání elektronářadí bude stále bezpečné.



UPOZORNĚNÍ! OPALOVACÍ PISTOLE, další upozornění týkající se bezpečnosti–

Bezpečnost na pracovišti:

- a) Je nutné pracovat v dobře větrané místnosti. Plyny a výpary, které vznikají během práce, jsou často zdraví škodlivé.
- b) Nepozornost při používání nářadí můžete způsobit požár, proto:
 - dodržujte opatrnost při práci se zařízením na místech, na kterých se mohou nacházet hořlavé materiály;
 - nesměřujte proud horkého vzduchu na stejné místo po delší dobu;
 - nepoužívejte ve výbušném ovzduší;
 - pamatujte na to, že teplo se může přenášet na hořlavé materiály, které jsou mimo Váš zorný úhel;
 - po použití nářadí jej umístěte na podstavci a ponechte před uskladněním stát, až zcela vychladne;
 - nenechávejte zapnuté nářadí bez dozoru.

- c) Je zakázáno směřovat trysku s vytékajícím horkým proudem vzduchu na jiné osoby, zvířata a ve směru hořlavých látek.

Elektrická bezpečnost:

- a) Nepoužívejte pistolí během deště nebo v podmínkách zvýšené vlhkosti. Může to způsobit zranění nebo ohrozit váš život, z důvodu zasažení elektrickým proudem.
- b) Při použití opalovací pistole venku je třeba používat zařízení s proudovým chráničem (RCD). Použití RCD snižuje riziko zasažení elektrickým proudem
- c) Před každým spuštěním zkontrolujte zařízení, přívodový kabel i zástrčku. V případě, že zjistíte jakékoliv poškození, okamžitě přerušete práci a zařízení předejte k opravě do oprávněného servisního místa (adresa je uvedena v záručním listu). Pokračování v práci s poškozeným strojem může ohrozit vaše zdraví nebo život. Nikdy sami neotvírejte pistolí!
- d) Nevkládejte do trysky žádné předměty. Můžete tím způsobit poškození pistole a zásah elektrickým proudem.
- e) Elektrický kabel držte vždy ze zadní strany pistole.
- f) Je zakázáno směřovat horký vzduch na přívodní elektrický kabel nebo dotýkat se jej horkou tryskou. Můžete tím roztavít izolaci a být zasažení elektrickým proudem.
- g) Nepřeházejte ani nezavěšujte zařízení za přívodný kabel.
- h) Je zakázáno používat elektrické zařízení s poškozeným přívodným kabelem. Je zakázáno dotýkat se poškozeného kabelu; v případě, že se poškodí během práce, je třeba ihned vytáhnout zástrčku ze zásuvky. Poškozené přívodné kabely zvyšují riziko zasažení el. proudem.



VAROVÁNÍ!

Pokud se poníci neodpojovatelný přívodný kabel, je třeba se vystříhat ohrožení, a proto nutně jej nechat vyměnit u výrobce nebo v oprávněné opravě, nebo oprávněnou osobou.

Osobní bezpečnost:

- a) Během opracovávání plastů, barev, laků a podobných látek se můžou uvolňovat hořlavé a toxické plyny. Pistol nepoužívejte poblíž hořlavých plynů nebo látek.
- b) Pro ochranu před výpady používejte speciální masku, která chrání před vdechnutím drobného prachu a výparů z olověných barev; dbejte také na bezpečí jiných osob, které se můžou nacházet poblíž vašeho pracoviště.
- c) Nebezpečí popálení! Nikdy se nedotýkejte horké trysky. Vždy používejte ochranné rukavice.
- d) Při zapnutém stroji nikdy nenakukujete do trysky.
- e) Během práce vždy používejte ochranné brýle.
- f) Nepoužívejte stroj jako fén na vlasy! Teplota vzduchu z opalovací pistole značně převyšuje teplotu vzduchu z fénu.

Používání elektronářadí a péče o ně:

- a) Chraňte opalovací pistol před úderu nebo poškozením povrchu ostrými předměty.
- b) Před začátkem používání pistole nejdříve zkontrolujte přívod a vývod vzduchu a případně odstraňte předměty, které by mohly volný průtok vzduchu blokovat.

- c) **Nespalujte barvu, může to vést ke vzniku požáru.** *Dávejte pozor, aby se barva nepřilepila na trysku, mohla by se časem vznítit.*
- d) **Nezakrývejte šterbiny pro přívod vzduchu ani ústí trysky, může to vést k nadměrnému zahřátí a poškození pistole.** *Ústí trysky nepřibližujte k opalovanému předmětu blíže než na 5 cm.*
- e) **Během práce a bezprostředně po ní neopírejte trysku o žádné předměty. Nepokládejte opalovací pistol na boku.** *Pokud stroj odkládáte, měl by být vždy postaven svisle.*
- f) **Během přestávek při práci, pokud pistol nepoužíváte, a také před začátkem jakýchkoliv úkonů na pistol (např. kontrola, čištění, nastavení) vždy vytáhněte zástrčku ze zásuvky.**
- g) **Nikdy nedovolte, aby opalovací pistol používaly děti.**

STAVBA A URČENÍ OPALOVACÍHO PISTOLE:

Opalovací pistol je ruční elektronarádí. Má malé rozměry, ergonomický tvar, nízkou hladinu hluku, velkou rychlost vypouštěného vzduchu, nastavení teploty práce a průtoku vzduchu.

Nástroj je určen na odstraňování nátěrů, formování a svařování umělých hmot, smršťování termo smršťitelných fólií. Pistol je možné také použít na změkčování lepidla a zahřívání zamrzlého vodovodního potrubí.

PŮZOR! Spotřebič není určen k provozu s použitím vnějších časových vypínačů nebo zvláštního systému dálkového ovládání.

Nepoužívejte pistol na práce, u nichž je nutné použití profesionálních nástrojů. Každé použití opalovacího pistole jinak, než je uvedeno výše, je zakázáno a způsobí ztrátu záruky, výrobce také nebude zodpovědný za škody vzniklé nesprávným zacházením.

Jakékoliv změny, provedené na zařízení uživatelem, taktéž ruší povinnost výrobce nést zodpovědnost za poškození a škody, způsobené uživateli a okolí.

■ Kompletace

- Opalovací pistole - 1 ks.
- Návod na obsluhu - 1 szt.
- Záruční list - 1 ks.

■ Prvky pistole (viz obr. A):

Číselné označení prvků opalovacího pistole se týká grafického znázornění, které se nachází na 2 straně návodu k použití:

1. Výstupní tryska
2. Displej
3. Tlačítko ukládání v paměti
4. Tlačítko volny programu
5. Tlačítko snížení pracovní teploty
6. Tlačítko zvýšení pracovní teploty
7. Tlačítko snížení průtoku vzduchu
8. Tlačítko zvýšení průtoku vzduchu
9. Vypínač/ Přepínač pracovního režimu
10. Kabel napájení
11. Tepelný kryt

TECHNICKÉ ÚDAJE:

Jmenovité napětí	220-240 V
Jmenovitý kmitočet	50/60 Hz
Odebíraný výkon	2000W

Pracovní teplota	režim I	50°C
	režim II	50°C~650°C
Průtok vzduchu	250l/min~500 l/min	
Třída zařízení	II	
Hmotnost	0,9 kg	

■ Informace ohledně hluku

Naměřená hladina akustického tlaku je nižší než 70 dB (A).

PŘED ZAČÁTKEM PRÁCE:

1. Ujistěte se, že zdroj el. energie, do něž chcete pistol zapojit, svými parametry odpovídá parametrům vyznačeným na výrobním štítku stroje.
2. Ujistěte se, že hlavní vypínač je v poloze „vypnuto“. Pokud by byl v poloze „zapnuto“ během zapojování do sítě, může dojít k vážnému zranění, protože pistol okamžitě začne pracovat.
3. V případech, kdy je pracoviště vzdálené od zásuvky, je možné použít prodlužovačku s odpovídajícím průměrem, přizpůsobeným velikosti odebírané elektrické energie. Doporučujeme použití co nejkratších prodlužovacích šňůr. Prodlužovací šňůra by měla být zcela rozvinutá.

BĚHEM PRÁCE:

■ Zapínání/Vypínání

- Za účelem zapnutí přesuňte vypínač zapínání/přepínání pracovního režimu **9** do polohy **I** nebo **II**.
- Za účelem vypnutí přesuňte vypínač zapínání/přepínání pracovního režimu **9** na doraz do polohy **0**.

■ Nastavení teploty

Nastavení teploty je možné pouze při nastavené poloze **II** – horký vzduch. Požadovanou teplotu lze regulovat použitím tlačítek **5-6**.

Mírným stlačením tlačítka **5** lze snižovat teplotu o 10 °C až po získání minimální teploty 50 °C.

Mírným stlačením tlačítka **6** lze zvyšovat teplotu o 10 °C až po dosažení maximální teploty 650 °C.

Po změně nastavení teploty dochází k zahřátí nebo ochlazení proudu vzduchu teprve po určité krátké době. Požadovaná teplota je zobrazovaná na displeji **2** mezi dvěma blikajícími šipkami. Po dosažení požadované teploty šipky zhasnou a na displeji bude zobrazená momentální teplota.

■ Natavení proudu vzduchu

S použitím tlačítek **7-8** lze nastavovat proud vzduchu:

Krátkým stlačením tlačítka **7** lze postupně snižovat sílu proudu vzduchu až po dosažení minimální úrovně.

Proud vzduchu je potřeba snižovat, např. když by se okolí zpracovávaného předmětu, nemělo příliš zahřívát nebo pokud je zpracovávaný předmět lehký a proud vzduchu by jej mohl posunout.

Krátkým stlačením tlačítka **8** lze postupně zvyšovat proud vzduchu až po dosažení maximální úrovně.

DRUHÝ CHINNOSTI:

■ Volba druhu provozu

Zapínání/přepínání pracovního režimu **9** je možné nastavit ve dvou pracovních polohách (viz obr. A).

Vhodný proud vzduchu a teplotu lze nastavit podle tabulky:

Pracovní režim I	250 l/min~500l/min - 50°C
Pracovní režim II	250 l/min~500l/min - 50°C~650°C

■ Pracovní režim I (Foukání studeným vzduchem)

Poloha **I** je použitelná pro ochlazení zahřátého předmětu, který opracováváte, nebo k sušení barvy. Může se také použít pro ochlazení pistole před ukončením práce nebo výměnou trysek (nejsou v této soupravě).

Proud vzduchu lze nastavovat, teplota je nastavená na 50 °C (nelze ji nastavovat), není možný provoz v programovém režimu.

POZOR: Při přepínání teploty z vyšší na nižší je nutná určitá doba na zchlazení opalovacího zařízení.

■ Pracovní režim II (Foukání horkým vzduchem)

V pracovním režimu **II** lze proud vzduchu i teplotu nastavovat; je možný provoz v běžném i v programovém režimu.

Při přepínání z foukání studeným vzduchem na foukání horkým vzduchem pro proud vzduchu, teplotu a případně program se přijímají automaticky ty hodnoty, které byly zvoleny během posledního používání proudu horkého vzduchu.

■ Programový pracovní režim

V programovém pracovním režimu je možné trvalé zapamatování nastavení proudu vzduchu a teploty v jednom ze čtyř programů. V každém programu jsou možné libovolné kombinace proudu vzduchu a teploty.

Také v programovém pracovním režimu lze v libovolné chvíli změnit nastavení proudu vzduchu a teploty. Pokud tyto změny nebudou uloženy v paměti, zmizí po vypnutí elektronářadí nebo po přechodu na jiný program.

Pro přechod na programovaný pracovní režim je třeba stlačit tlačítko volby programu **4** tak dlouho, až se na displeji **2** objeví číslo požadovaného programu.

Pro změnu existujícího programu je třeba přejít na zvolený program stlačením tlačítka **4**. Následně nastavit proud vzduchu a teplotu s použitím příslušných nastavovacích tlačítek **5, 6, 7 a 8**.

Změna hodnoty v jednom z programů je ohlašována blikáním v levém horním rohu displeje symbolu \rightarrow . Po nastavení proudu vzduchu a teploty stlačte tlačítko ukládání do paměti **3** po dobu, až na displeji zhasne blikající symbol \rightarrow . Nastavené hodnoty byly uloženy do paměti v programu, jehož číslo je zobrazeno na displeji.

■ Běžný pracovní režim

Pro přechod z programového pracovního režimu na běžný pracovní režim je třeba stlačit tlačítko volby programu **4**, dokud z displeje nezmizí číslo programu (nad teplotou). Proud vzduchu a teplotu lze v každém okamžiku změnit s použitím tlačítek – k nastavení teploty **5-6** a nastavení proudu vzduchu **7-8**.

Hodnoty nastavené v běžném pracovním režimu týkající se proudu vzduchu a teploty budou uloženy v paměti po splnění následujících podmínek:

- změna pracovního režimu na programovaný,
- Přechod na studený vzduch,
- vypnutí elektronářadí.

PRACOVNÍ POKYNY:



POZOR! Během práce se vyvarujte kolmému nastavení opalovací pistole vůči opalovanému povrchu. Způsobuje to odrazení proudu horkého vzduchu od povrchu a zpětné vtáhnutí do rotoru. Teplota uvnitř motoru se velmi zvýší a opalovací pistol se může poškodit. Pistol je třeba nastavit v úhlu cca 45° vůči opalovanému povrchu.

Vzdálenost trysky od zpracovávaného předmětu se určuje podle materiálu tohoto předmětu, ale nemůže být menší než 5 cm.

Před vypnutím nářadí je třeba na více než deset vteřin nastavit pracovní režim na nejnižší teplotu a maximálně zvýšit průtok vzduchu za účelem zchlazení topného prvku. Zvyšujte to trvanlivost nářadí.

■ Odložení nástroje

Za účelem zchlazení rozehrátého zařízení, nebo pokud chcete uvolnit obě ruce na práci, postavte opalovací pistolu svisle na vodorovný povrch (viz: obr. B).

POZOR: Při práci s odloženou pistolí je třeba být obzvláště pozorný! Je zde nebezpečí, že se uživatel spálí o horkou trysku nebo horkým proudem vzduchu.

■ Sundávání tepelného krytu

Při práci na těžce přístupných místech lze sundat tepelný kryt **11**.



POZOR NA HORKOU TRYSKU!

Během práce bez tepelného krytu existuje zvýšené nebezpečí popálení.

Před zahájením sundávání nebo nasazování tepelného krytu **11** je třeba elektronářadí vypnout a počkat, až zcela vychladne.

Pro zrychlení chlazení elektronářadí lze na krátkou dobu spustit foukání proudem studeného vzduchu.

Odšroubování tepelného krytu **11** provádíme jeho otáčením v protisměru pohybu hodinových ručiček. Zašroubovujeme jej otáčením ve směru pohybu hodinových ručiček.

OBSLUHA A ÚDRŽBA:

1. Opalovací pistol udržujte čistou, aby měla zajištěný volný průtok vzduchu.
2. Chraňte opalovací pistol před kontaktem s vodou a vniknutím prachu a jiných drobných částic dovnitř nástroje.
3. Plastový kryt pistole nečistěte chemickými čističi. Používejte lehké vlhký hadřík a mýdlo. Opalovací pistol je možné znovu použít teprve po jejím uschnutí na vzduchu.
4. Pravidelně kontrolujte technický stav elektrického kabelu, pokud objevíte poškození, je třeba kabel okamžitě vyměnit.
5. V případě výskytu technických problémů kontaktujte prosím servis. Adresy autorizovaných servisů jsou uvedeny v záručním listu.

VÝROBCE:

PROFIX s.r.o.
ul. Marywilska 34,
03-228 Varšava, Polsko

■ OCHRANA ŽIVOTNÍHO PROSTŘEDÍ:



POZOR: Zobrazený symbol znamená zákaz likvidace zařízení dohromady s jinými odpady (na porušení zákazu se vztahuje pokuta). Nebezpečné složky, které se nacházejí v elektrickém a elektrotechnickém vybavení mají negativní vliv na životní prostředí a lidské zdraví.

Domácnosti by se měly zapojit do získávání zpět a opětovného využití (recyklace) starých elektrospotřebičů. V Polsku a v Evropě se tvoří nebo už existuje systém sběru elektroodpadu, v rámci kterého mají všechna prodejní místa elektrospotřebičů povinnost přijímat elektroodpad. Kromě toho existují sběrná místa pro elektroodpad.



Politika firmy PROFIX je politikou průběžného zdokonalování výrobků, z toho důvodu si firma vyhrazuje právo změnit specifikaci výrobku bez předchozího informování. Obrázky, uvedené v návodu na obsluhu, jsou pouze příklady a mohou se lišit od skutečného vzhledu zakoupeného zařízení.


Tento návod je chráněn autorským zákonem. Jeho kopírování / rozmnožování bez písemného souhlasu společnosti PROFIX s.r.o. je zakázané.



PRIEŠ RADEKANT DARBĄ SUSIPAŽINKITE SU INSTRUKCIJA.

Išsaugokite instrukciją, nes gali būti reikalinga vėliau.



ĮSPĖJIMAS! Prašome perskaityti visus įspėjimus dėl saugaus naudojimo pažymėtus simboliais  bei visas nuorodas dėl saugaus naudojimo.

Žemiau pateikiamų įspėjimų dėl saugos bei saugos nuorodų nesilaikymas gali būti elektros smūgio, gaisro ir/arba sunkių kūno sužalojimų priežastimi.

Išsaugokite visus įspėjimus ir visas saugos nuorodas, kad vėliau būtų galima jais pasinaudoti.

Žemiau pateiktuose įspėjimuose sąvoka „elektros prietaisas“ apibūdina elektros prietaisą maitinamą elektros energija iš elektros tinklo (maitinimo laidas) arba elektros prietaisą maitinamą akumuliatoriumi (belaidis).



ĮSPĖJIMAS! Bendri įspėjimai dėl saugaus įrankio naudojimo.

Sauga darbo vietoje:

- Darbo vietoje turi būti švaru, tvarkinga bei geras apšvietimas. Netinkama bei netinkamas darbo vietos apšvietimas gali būti nelaimingų atsitikimų priežastimi.
- Nenaudoti elektros prietaiso sprogiroje aplinkoje, kurioje yra degūs skysčiai, degios dujos arba dulkės. Elektros prietaiso darbo metu susidaro elektros kibirkštis, todėl gali užsidegti esantis aplinkoje garai.
- Darbo vietoje negali būti vaikai bei pašaliniai. Dėmesio nukreipimas gali būti elektros prietaiso valdymo praradimo priežastimi.



ĮSPĖJIMAS! Bendri įspėjimai dėl saugaus įrankio naudojimo.

Elektros sauga:

- Elektros prietaisų kištukai turi atitikti elektros lizdo tipui. Jokiu būdu negalima keisti kištuko. Jeigu elektros prietaisas turi įžeminimą, negalima naudoti ilgutuvo. Originalių kištukų bei lizdų naudojimas sumažina elektros smūgio riziką.
- Venkite kūno kontakto su įžemintais paviršiais, tokiais kaip vamzdžiai, šildytuvai, centrinio šildymo radiatoriai bei šaldytuvais. Kontaktas su įžemintais paviršiais didina elektros smūgio pavojų.
- Saugokite prietaisą nuo lietaus ir drėgmės. Jeigu vanduo patenka į elektros prietaisą, padidėja elektros smūgio rizika.
- Nenaudokite laidų ne pagal paskirtį. Neneškite įrenginio paėmę už laido, netraukite už jo norėdami išjungti kištuką iš elektros lizdo. Laidą klokite taip, kad jo neveiktų karštis, jis neišslytų alyva ir jo nepažeistų aštrios detalės ar judančios prietaiso dalys. Pažeistas laidas gali tapti elektros smūgio priežastimi.
- Jeigu elektros prietaisas yra naudojamas lauke, laido prailginimui naudokite tik specialiai tam skirtus prailgintuvus. Prailgintuvų skirtų darbui lauke naudojimas sumažina elektros smūgio riziką.
- Jeigu negalima išvengti elektros prietaiso naudojimo

drėgnoje aplinkoje, naudokite RCD įrenginį. RCD įrenginio naudojimas sumažina elektros smūgio riziką.



ĮSPĖJIMAS! Bendri įspėjimai dėl saugaus įrankio naudojimo.

Žmonių sauga:

- Prietaisu negali naudotis asmenys (tame tarpe vaikai) turintis fizinius, jutimo arba psichinius negalavimus, taip pat asmenys neturintis darbo patirties arba nesusipažinę su prietaisu, nebent toks darbas vyksta stebint specialistui arba pagal prietaiso naudojimo instrukciją, kurį buvo perduota asmeniui atsakingu už saugą.
- Būkite atidūs, sutelkite dėmesį į tai, ką Jūs darote ir, dirbdami su elektros prietaisu, vadovaukitės sveiku protu. Nedirbkite su prietaisu, jei esate pavargę arba vartojote narkotikus, alkoholi ar medikamentus. Akimirksnio neatidumas naudojant prietaisą gali tapti rimtų sužalojimų priežastimi.
- Dėvėkite tinkamą aprangą. Nešiokite apsauginius akinius. Apsauginės aprangos, tokios kaip dulkių kaukė, neslystantis apsauginiai batai, šalmas, asinės, naudojimas sumažina sužalojimų grėsmę.
- Saugokitės, kad neįjungtumėte prietaiso atsitiktinai. Prieš įjungdami kištuką į elektros lizdą ir/arba prieš akumuliatoriaus įjungimą bei prieš paimant arba pernešant prietaisą išitinkinkite, kad prietaisas yra išjungtas. Prietaiso pernešimas su pirštu ant jungiklio arba prietaiso įjungimas į maitinimo tinklą gali tapti nelaimingo atsitikimo priežastimi.
- Prieš įjungdami prietaisą pašalinkite raktus. Prietaiso besisukančioje dalyje esantis įrankis ar raktas gali tapti sužalojimų priežastimi.
- Nepasilenkite pernelyg į priekį. Dirbdami atsistokite patikimai ir visada išlaikykite pusiausvyrą. Patikima stovėseną ir tinkama kūno laikysena leis geriau kontroliuoti prietaisą netikėtose situacijose.
- Dėvėkite tinkamą aprangą. Nedėvėkite plačių drabužių ir papuošalų. Saugokite plaukus, drabužius ir pirštines nuo besisukančių prietaiso dalių. Laisvus drabužius, papuošalus bei ilgus plaukus gali įtraukti besisukančios prietaiso dalys.



ĮSPĖJIMAS! Bendri įspėjimai dėl saugaus įrankio naudojimo.

Rūpestinga elektros prietaisų priežiūra ir naudojimas

- Neperkraukite prietaiso. Naudojamo prietaiso galingumas turi atitikti atliekamam darbui. Tinkamai parinktas elektros prietaisas leis atlikti darbą gerai ir saugiai.
- Nenaudokite elektros prietaiso su sugedusiu jungikliu. Elektros prietaisas, kurio nebegalima įjungti ar išjungti, yra pavojingas ir jį reikia remontuoti.
- Prieš reguliuodami prietaisą, keisdami darbo įrankius arba prieš sandėliavimą ištraukite kištuką iš elektros lizdo ir/arba atjunkite akumuliatorių. Ši saugumo priemonė apsaugos jus nuo netikėto prietaiso įsijungimo.

- d) Nenaudojamą prietaisą sandėliuokite vaikams ir nemokantiems juo naudotis arba nesupažinusiems su instrukcija asmenims neprieinamoje vietoje. *Elektriniai įrankiai yra pavojingi, kai juos naudoja nepatyrę asmenys.*
- e) rūpestingai prižiūrėkite prietaisą. Patikrinkite, ar besisukančios prietaiso dalys tinkamai veikia ir niekur nekliūva, ar nėra sulūžusių ar šiaip pažeistų dalių, kurios įtakotų elektros prietaiso veikimą. Jeigu yra gedimai suremontuokite prietaisą. *Daugelio nelaimingų atsitikimų priežastis yra blogai prižiūrimi elektros prietaisai.*
- f) Elektros prietaisą, papildomus įrankius, darbo įrankius ir t. t. naudokite tik pagal instrukciją, turėdami omeny darbo sąlygas bei atliekamo darbo pobūdį. *Elektros prietaiso naudojimas ne pagal paskirtį gali sukelti pavojingas situacijas.*
- g) Elektros prietaisus valykite minkštu, drėgnu (ne šlapiu) skuduru ir muilu. Nenaudokite benzino, tirpiklių bei kitų priemonių galinčių pažeisti prietaisą.
- h) Elektros prietaisą laikykite/transportuokite tik po to, kai įsitikinsite, kad jo visos besisukančios dalys yra užblokuotos ir saugomos originaliomis, specialiai tam skirtomis detalėmis.
- i) Elektros prietaisą laikykite sausoje, apsaugotoje nuo dulkių bei drėgmės vietoje.
- j) Elektros prietaisą transportuokite originalioje pakuotėje, saugančioje nuo mechaninių pažeidimų.



ĮSPĖJIMAS! Bendri įspėjimai dėl saugaus įrankio naudojimo.

Remontas:

- a) Prietaisą turi remontuoti tik kvalifikuotas specialistas, naudojantis tik originalias atsargines dalis. *Tik tokiu atveju elektros prietaiso naudojimas bus saugus.*



ĮSPĖJIMAS! KARŠTO ORO PŪSTUVAS, papildomi saugos reikalavimai –

Sauga darbo vietoje:

- a) Patalpa, kurioje atliekamas darbas, turi būti gerai vėdinama. *Darbo metu susidarančios kenksmingos dujos ir garai gali būti pavojingos sveikatai.*
- b) Nedirbkite su prietaisu netoli degių medžiagų arba užsiliepsnojančių dujų. *Aukšta įrankio temperatūra (pvz. dėl neatsargumo) gali sukelti gaisrą arba sprogingą! Atkreipkite dėmesį į tai, kad šiluma gali būti perduodama degioms medžiagoms, kurios yra Jūsų regėjimo lauke.*
- c) Draudžiama nukreipti karšto oro srovę į žmones ar gyvūnus, bei į degias medžiagas.

Elektros sauga:

- a) Nesinaudokite prietaisu lietaus metu arba didelės drėgmės sąlygomis. *Tai gali būti sužalojimo priežastimi, sukelia pavojų gyvybei bei elektros smūgio pavojų.*
- b) Naudojant prietaisą lauke, naudokite srovės kontrolės relę (RCD). *RCD naudojimas mažina elektros smūgio pavojus.*
- c) Kiekvieną kartą prieš pradėdami dirbti su prietaisu patikrinkite jo maitinimo laidą ir kištuką. Jei pastebėjote gedimą, nedelsdami kreipkitės į įgaliotą techninio aptarnavimo centrą (adresas yra nurodytas garantiniame lape). *Darbas su pažeistu prietaisu sukelia pavojų sveikatai arba*

gyvybei. Niekada nebandykite atidaryti prietaiso.

- d) **Nedėkite jokių daiktų į prietaiso tūtą.** *Galite sugadinti prietaisą ir sukelti elektros smūgį.*
- e) **Maitinimo laidas visada turi būti už prietaiso.**
- f) **Draudžiama nukreipti karšto oro srovę į maitinimo laidą ir liesti maitinimo laido karštą tūtą.** *Tai gali išlydyti elektros laido izoliaciją ir sukelti elektros smūgį.*
- g) **Nekelkite prietaiso už maitinimo laido bei nekabinkite prietaiso už jo.**
- h) **Draudžiama naudotis prietaisu, jeigu jo maitinimo laidas yra pažeistas.** *Jeigu laidas yra pažeistas darbo metu, iš karto ištraukite jo kištuką iš elektros lizdo. Pažeistas maitinimo laidas gali būti elektros smūgio priežastimi.*



ĮSPĖJIMAS!

Jeigu sugedo elektros prietaiso laidas, jį pakeisti galima pas gamintoją, specializuotame remonto punkte arba gali tai atlikti specialistas tam, kad išvengtumėte pavojaus.

Žmonių sauga:

- a) **Apdirbant plastiką, dažus, lakuotus paviršius ir panašias medžiagas gali susidaryti degios bei nuodingos dujos.** *Nesinaudokite prietaisu arti degių dujų arba kitų degių medžiagų.*
- b) **Naudokite apsauginę kaukę bei pasirūpinkite kitų asmenų, esančių darbo vietoje, saugumu.**
- c) **Nusidėginimo pavojus!** *Niekuomet nelieskite karštos tūtos. Visada naudokite apsaugines pirštines.*
- d) **Netgi jei prietaisas išjungtas, nežiūrėkite į tūtą.**
- e) **Darbo metu visada dėvėkite apsauginius akinius.**
- f) **Jokiu būdu nenaudokite prietaiso plaukų džiovinimui!** *Prietaiso oro srovės temperatūra yra daug aukštesnė nei plaukų džiovintuvo.*

Rūpestinga elektros prietaisų priežiūra ir naudojimas:

- a) **Saugokite prietaisą nuo smūgių ir aštrių daiktų.**
- b) **Niekuomet nepalikite įjungto prietaiso be priežiūros.**
- c) **Prieš pradėdami darbą visada patikrinkite prietaiso oro išėjimo ir įėjimo angas bei pašalinkite elementus, kurie galėtų stabdyti oro srovę.**
- d) **Nenukreipkite prietaiso į vieną vietą ilgą laiką.**
- e) **Nedeginkite dažų, nes tai gali sukelti gaisrą.** *Stebėkite, kad dažai nepriilptų prie tūtos, nes po tam tikro laiko gali užsidegti.*
- f) **Negalima uždegti prietaiso įėjimo/išėjimo angų bei tūtos, nes tai gali būti temperatūros augimo priežastimi bei gali pažeisti prietaisą.** *Prietaiso tūta negali būti arčiau nei 5 cm nuo apdorojamo paviršiaus.*
- g) **Darbo metu ir iš karto po to, kai darbas baigiamas, nedėkite tūtos ant kokių nors daiktų. Negalima padėti tūtos ant šono.** *Prietaisą visada padėkite vertikaliaje padėtyje ant vielinio stovo (3).*
- h) **Pertraukų metu, kai prietaisas nenaudojamas, bei prieš pradėdami priežiūros darbus (pvz. priežiūra, valymas, reguliavimas) ištraukite kištuką iš elektros lizdo.**
- i) **Užbaigus darbą padėkite prietaisą, jo tūta turi būti nukreipta į viršų.** *Prietaisą padėti galima tik po to, kai jo tūta*

atvėso. Niekada nelieskite tūtos iš karto po išjungimo, nes tai gali būti rimtų nudegimų priežastimi.

j) Jokiū būdu prietaisu negali naudotis vaikai.

KARŠTO ORO PŪSTUVOS SANDARA IR PASKIRTIS:

Karšto oro pūstuvus tai rankinis elektrinis įrankis. Pasižymi mažais gabaritais ir ergonominiu dizainu be to turi žemą triukšmo lygį, didelį išpučiamo oro greitį, darbinės temperatūros ir oro srauto reguliavimą.

Šis prietaisas skirtas šalinti dažams, formuoti ir suvirinti plastmases, kaitinti šilumos poveikyje susitraukiančius izoliacinius vamzdelius. Prietaisas taip pat gali būti naudojamas klijuotinių sujungimų išskirimui bei užšalusį vandens vamzdžių atitirpinimui.

DĖMESIO: Įranga nėra skirta darbiui su išoriniais laiko išjungikliais arba atskira nuotolinio reguliavimo sistema.

Draudžiama naudoti įrankį profesionaliems darbams atlikti. Prietaiso naudojimas ne pagal paskirtį yra draudžiamas. Tokiu atveju prarandama garantija o gamintojas neatsako už patirtas dėl netinkamo prietaiso naudojimo žalas.

Bet kokios prietaiso modifikacijos padarytos naudotoju atleidžia gamintoją nuo atsakomybės už žalas patirtas tokiu atveju naudotoju bei aplinkiniams.

■ Komplektavimas

- Karšto oro pūstuvus - 1 vnt.
- Naudojimo instrukcija - 1 vnt.
- Garantijos lapas - 1 vnt.

■ Prietaiso elementai (žiūrėk: pieš. A):

Prietaiso dalių numeracija atitinka grafinėms piešinims 2 puslapyje naudojimo instrukcijos:

1. Tūta
2. Displėjus
3. Išsaugojimo atmintyje mygtukas
4. Programos pasirinkimo mygtukas
5. Darbinės temperatūros mažinimo mygtukas
6. Darbinės temperatūros didinimo mygtukas
7. Oro srauto mažinimo mygtukas
8. Oro srauto didinimo mygtukas
9. Jungiklis / Darbo režimo jungiklis
10. Maitinimo laidas
11. Apsauga nuo karščio

TECHNINIAI DUOMENYS:

Nominalioji įtampa	220-240 V
Nominalusis dažnis	50/60 Hz
Sugerta galia	2000W
Darbinė temperatūra	režimas I 50°C
	režimas II 50°C~650°C
Oro srovės greitis	250l/min~500 l/min
Įrangos klasė	II
Masė	0,9 kg

■ Informacija apie triukšmo klasę

Išmatuotas prietaiso garso slėgio lygis yra mažesnis nei 70 dB(A).

PRIEŠ NAUDOJIMĄ:

1. Patikrinkite, ar elektros tinklo įtampa atitinka prietaiso firminėje lentelėje nurodytą įtampą.
2. Patikrinkite, ar pagrindinis jungiklis yra „išjungtas“ padėtyje. Situacijoje, kai kištukas yra elektros lizde, o pagrindinis jungiklis yra padėtyje „įjungtas“ gresia rimta avarija, nes prietaisas iš karto pradeda veikti.
3. Jei darbo vieta yra nutolusi nuo elektros lizdo, naudokite ilgutuvą, kurio laido skerspjūvis yra pritaikytas naudojamajai elektros srovei.

DARBO METU:

■ Įjungimas/išjungimas

- Norėdami įjungti prietaisą, darbo režimo jungiklį 9 pasukite į I arba II padėtį.
- Norėdami išjungti prietaisą, darbo režimo jungiklį 9 pasukite į 0 padėtį.

■ Temperatūros reguliavimas

Temperatūros reguliavimą galima atlikti tik, kai įrankis dirba režimu II. Temperatūra reguliuojama mygtukais 5-6.

Šiek tiek paspausdami mygtuką 5, temperatūrą sumažinsite 10°C. Galite spausti tol, kol pasieksite žemiausią galimą 50°C temperatūrą.

Šiek tiek paspausdami mygtuką 6, temperatūrą padidinsite 10°C. Galite spausti tol, kol pasieksite aukščiausią galimą 650°C temperatūrą.

Pakeitus temperatūros nustatymus, oro srovė susils arba atvės ne iš karto. Tuo metu nustatyta temperatūra rodoma ekrane 2 tarp dviejų mirksinčių rodyklių. Pasiekus nustatytą temperatūrą, rodyklės išnyks, o ekrane bus rodoma tuo metu esanti temperatūra.

■ Oro srauto reguliavimas

Oro srautą galima reguliuoti 7-8 mygtukais.

Trumpam paspausdami mygtuką 7, galite laipsniškai mažinti oro srautą tol, kol pasieksite minimalų lygį.

Oro srautą galima sumažinti, jeigu patalpa, kurioje yra apdirbamas objektas, negali būti per šilta arba jeigu apdirbamas objektas yra lengvas ir oro srautas galėtų jį nustumti.

Trumpam paspausdami mygtuką 8, galite laipsniškai padidinti oro srautą tol, kol pasieksite maksimalų lygį.

DARBO REŽIMAI:

■ Darbo režimo pasirinkimas

Darbo režimo jungikliu 9 gali būti nustatyti du darbo režimai (žiūrėk: pieš. A).

Tinkama oro srovė bei temperatūra nustatoma pagal lentelę:

Darbo režimas I	250 l/min~500l/min - 50°C
Darbo režimas II	250 l/min~500l/min - 50°C~650°C

■ I darbo režimas (šalto oro srautas)

Režimas I yra naudojamas ruošinui atvėsinti arba dažams džiovinti. Gali būti naudojamas pačiam įrankiui atvėsinti po darbo aukštos temperatūros režimu prieš padedant įrankį arba prieš keičiant tūtas (neįeina į komplektą).

Oro srautą galima reguliuoti, temperatūra 50°C (jos negalima reguliuoti), negalima dirbti programuojamu režimu.

DĖMESIO: Perjungiant iš aukštesnės temperatūros iki žemesnės reikalingas tam tikras laikas, kad prietaisas atvėstų.

■ II darbo režimas (karšto oro srautas)

Šiame darbo režime oro srautą ir temperatūrą galima reguliuoti; galima dirbti normaliu arba programuojamu režimu.

Perjungiant iš šalto į karšto oro srautą, automatiškai pasirenkami tokie oro srauto, temperatūros ir programos nustatymai, kurie buvo nustatyti paskutinio karšto oro srauto naudojimo metu.

■ Programuojamas darbo režimas

Programuojamame darbo režime prietaisas gali ilgam įsiminti oro srauto ir temperatūros nustatymus vienoje iš keturių programų. Kiekvienoje programoje galima pasirinkti norimą oro srauto ir temperatūros verčių kombinaciją.

Programuojamame darbo režime galima bet kuriuo metu pakeisti oro srauto ir temperatūros nustatymus. Jeigu šie pokyčiai nebus išsaugoti atmintyje, jie bus ištrinti, išjungus elektros prietaisą arba perėjus į kitą programą.

Norėdami pereiti į programuojamą darbo režimą, spauskite programos pasirinkimo mygtuką 4 tol, kol ekrane 2 pasirodys norimos programos numeris.

Norėdami pakeisti pasirinktą programą, vėl spauskite mygtuką 4 tol, kol pamatysite norimą numerį. Oro srauto ir temperatūros vertę galite nustatyti mygtukais 5, 6, 7 ir 8.

Vertės pokytį vienoje iš programų rodo ekrano kairiajame viršutiniame kampe mirgantis → simbolis. Nustatę oro srauto ir temperatūros vertę, spauskite išsaugojimo atmintyje mygtuką 3 tol, kol ekrane dings simbolis →. Pasirinktos vertės bus išsaugotos programos, kurios numeris rodomas ekrane, atmintyje.

■ Normalus darbo režimas

Norėdami pereiti iš programuojamo darbo režimo į normalų, spauskite programos pasirinkimo mygtuką 4 tol, kol ekrane išnyks programos numeris (virš temperatūros). Oro srauto ir temperatūros vertę galima bet kuriuo metu pakeisti atitinkamais mygtukais: temperatūra reguliuojama 5-6, o oro srautas 7-8 mygtukais.

Normaliame darbo režime nustatytos oro srauto ir temperatūros vertės bus išlaikytos atmintyje,

– perėjus į programuojamąjį darbo režimą,

– perjungus į šalto oro srautą,

– elektros prietaisą išjungus.

DARBO PATARIMAI:



DĖMESIO! Oro pūstuvo padėtys darbo metu negali būti vertikali ruošinio paviršiaus atžvilgiu, nes karšto oro srautas „atsimuša“ nuo paviršiaus ir vėl yra įtraukiamas prietaisu. Tokiu atveju temperatūra prietaiso variklio viduje auga, o tai gali sukelti gedimą. Oro pūstuvą laikykite apie 45° kampu ruošinio paviršiaus atžvilgiu.

Atstumą tarp tūtos ir ruošinio būtina parinkti pagal medžiagos savybės, bet jis negali būti mažesnis nei 5 cm.

Prieš išjungdami oro pūstuvą, kelioms sekundėms būtina perjungti jį į

mažesnės temperatūros režimą tam, kad atvėsinti prietaisą. Tai prailgina įrankio tarnavimo laiką.

■ Prietaiso padėjimas

Norėdami atvėsinti įrankį arba daryti ką nors abiem rankomis, oro pūstuvą pastatykite vertikaliaje padėtyje lygiame paviršiuje (žiūrėk: prieš. B).

DĖMESIO! Būkite itin atsargūs atliekant darbus, kai prietaisas stovi stovė! Yra nudegimų pavojus.

■ Apsaugos nuo karščio nuėmimas

Dirbant sunkiai prieinamose vietose, galima nuimti apsaugą nuo karščio 11.



DĖMESIO! KARŠTAS ANT GALIS!

Dirbant be apsaugos nuo karščio, padidėja nudegimų pavojus.

Prieš nuimdami arba uždedami apsaugą nuo karščio 11, išjunkite elektros prietaisą ir palaukite tol, kol jis visiškai atvės.

Norėdami greitai atvėsinti elektros prietaisą, galite trumpam įjungti šalto oro srautą.

Nuimdami apsaugą nuo karščio 11, sukite ją laikrodžio rodyklei priešinga kryptimi, o įsukdami sukite laikrodžio rodyklės kryptimi.

PREIŽIŪRA IR VALYMAS:

1. Prietaisas turi būti švarus tam, kad užtikrinti gerą oro cirkuliaciją.
2. Saugokite prietaisą nuo vandens, dulkių, bei kitų smulkių elementų, kurie galėtų patekti į vidų.
3. Plastikinio korpuso valymui nenaudokite cheminių valymo priemonių. Naudokite drėgną skudurėlį ir muilą. Prieš naudojimą prietaisas turi būti išdžiovintas natūraliose sąlygose.
4. Reguliariai tikrinkite maitinimo laido būklę. Jei laidas pažeistas, būtina jį nedelsiant pakeisti.
5. Techninių problemų atveju susisiekite su techninio aptarnavimo centru.

GAMINTOJAS:

PROFIX Sp. z o.o.,

Marywilka 34,

03-228 Varšuva, Lenkija

APLINKOS APSAUGA:



DĖMESIO! Pateiktas simbolis reiškia, kad panaudotas prietaisas draudžiama išmesti kartu su kitomis atliekomis (už pažeidimą gresia piniginė bauda). Panaudoti elektros prietaisai bei elektroninės dalis ir komponentai turi neigiamą poveikį aplinkai ir žmonių sveikatai.

Namų ūkis turėtų prisidėti prie panaudotos įrangos utilizavimo bei pakartotino medžiagų panaudojimo (perdirbimo). Lenkijoje ir Europoje yra kuriama arba jau veikia panaudotos įrangos surinkimo sistema. Todėl visi paminėtos įrangos pardavimo taškai yra įpareigoti priimti panaudotą įrangą. Be to yra specialūs panaudotos įrangos priėmimo taškai.



PROFIX įmonė siekia tobulinti savo produktus, todėl gali keistis produktų specifikacijos. Apie šiuos pasikeitimus įmonė nėra įpareigota nepranešti. Paveikslėliai esantis aptarnavimo instrukcijoje tai tik pavyzdžiai bei gali skirtis nuo nusipirkto prietaiso.

Ši instrukcija yra apsaugojama autoriaus teise. Kopijavimas/plėtojimas be PROFIX Sp. z o.o. leidimo raštu draudžiamas.