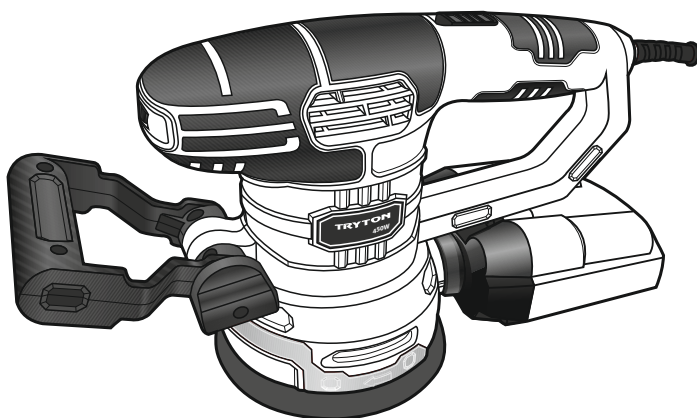


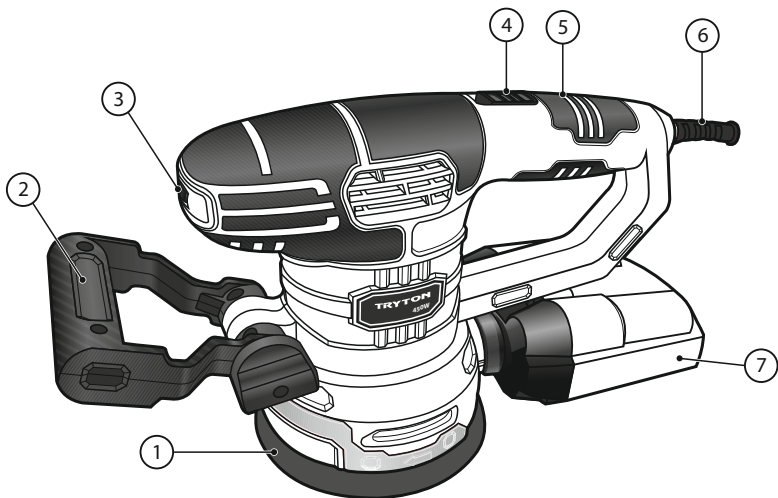
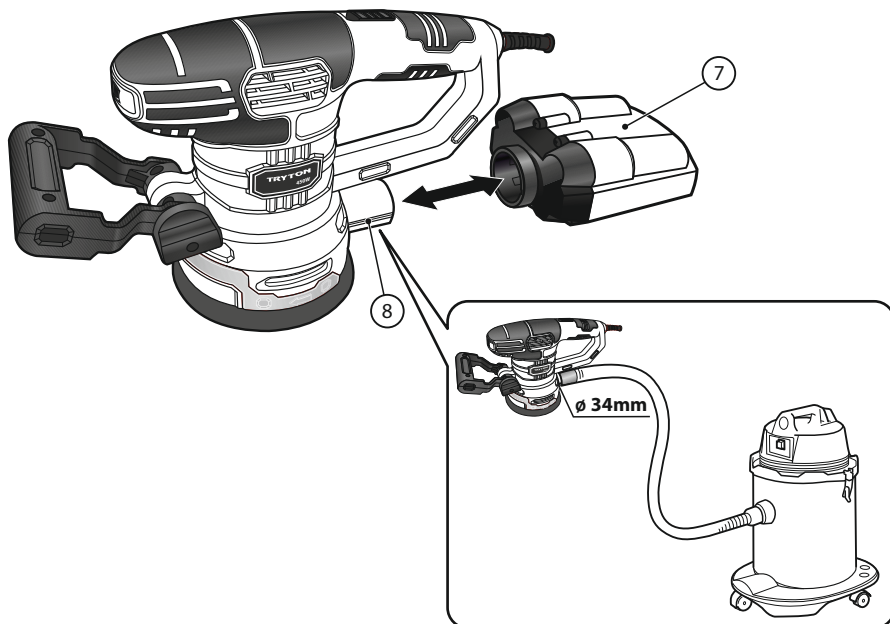
TRYTON

ELEKTRONARZĘDZIA

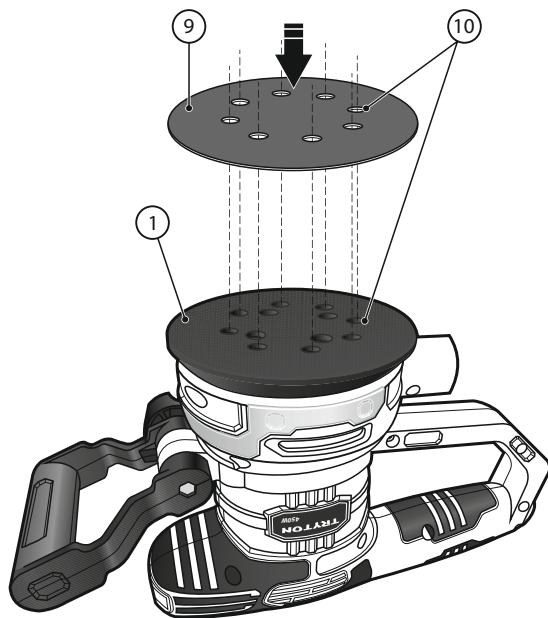


TMO450B

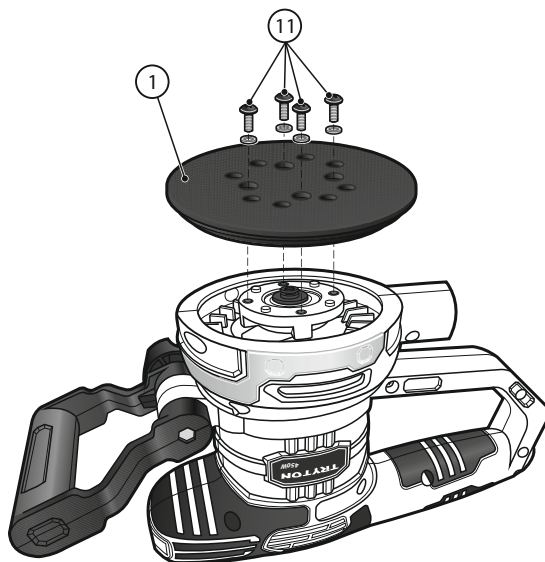
EN	Operating instruction	ECCENTRIC SANDER	4
PL	Instrukcja obsługi oryginalna	SZLIFIERKA MIMOŚRODOWA.....	9
RU	Инструкция по эксплуатации	ЭКЦЕНТРИКОВАЯ ШЛИФОВАЛЬНАЯ МАШИНА.....	14
RO	Instrucții de folosire	MAȘINĂ DE ȘLEFUIT EXCENTRIC	20
LV	Lietošanas instrukcija	EKSCENTRA SLĪPMAŠĪNA.....	25
CS	Návod na obsluhu	EXCENTRICKÁ BRUSKA	30
HU	Használati utasítások	EXCENTERCISISZOLÓ	35
LT	Naudojimo instrukcija	EKSCENTRINĖ ŠLIFAVIMO MAŠINĖLĖ	40

A**B**

C



D






OPERATING INSTRUCTION
ECCENTRIC SANDER TMO450B
Original text translation



BEFORE YOU START USING THE MACHINE READ THOROUGHLY THIS MANUAL.

Keep this document for future reference.



WARNING! Read all safety warnings marked with a symbol  and all operating safety instructions.

To limit the risk of fire, electric shock and injury while using the device, follow all operating safety instructions and tips provided below.

Keep all work safety instructions and tips for future reference.

In warnings provided herein the expression "power tool" means a power tool powered from the mains (with a power cord) or a battery powered power tool (cordless).



WARNING! General work safety warnings for use of the tool.

Workplace safety:

- Keep your workplace tidy and well lit. *Untidiness and bad lighting result in higher accident rate.*
- Do not use the power tool in explosive environments, created by flammable liquids, gases or dusts. *The power tool generates sparks that can ignite dust or vapors.*
- Keep children and unauthorized persons away from the place where the power tools are used. *Inattention may result in losing control over your power tool.*



WARNING! General warnings regarding the use of power tools.

Electric safety:

- Plugs used in power tools must match wall outlets. Never modify the plug of your power tool. Do not use any extension cables when operating a power tool with a grounding/earthing conductor (PE). *Any modifications of plugs and outlets increase the risk of electric shock.*
- Avoid touching earthed surfaces or grounded items like pipes, heaters, central heating radiators and refrigerators. *Touching earthed or grounded surfaces increases the risk of electric shock.*
- Do not expose your power tool to rain or damp environments. *Water penetrating the tool increases the risk of electric shock.*
- Do not damage the power cord. Never use the power cord to carry, pull the power tool and do not pull by its power cord to disconnect plug from the outlet. Keep the power cord away from sources of heat, oils, sharp edges and moving parts. *Damaged or entangled power cords increase the risk of electric shock.*
- When your power tool is operated outdoors use extension cords intended for outdoor use only. Using an extension cable intended for outdoor use decreases the risk of electric shock.
- It is recommended to connect the device to a mains supply equipped with a residual current device (RCD) with a rated current of 30 mA or less.
- When it is unavoidable to use your power tool in a damp environment use an RCD (Residual Current Device) for protection. *The use of RCDs decreases the risk of electric shock.*



WARNING! General warnings regarding the use of power tools.

Personal safety:

- This equipment is not intended for use by persons (including children) disabled physically, mentally, sensorial or persons with no experience and knowledge in operating the equipment unless they operate the equipment under supervision or follow user's instructions provided by persons responsible for their safety.
- It is necessary to predict steps, watch and keep common sense when using power tools. Do not operate power tools when you are tired, under influence of drugs, medicine or alcohol. *A moment of inattention while operating a power tool may result in serious personal injury.*
- Use personal protective equipment (PPE). *Always wear safety goggles. Wearing personal protective equipment (PPE) including a dust mask, anti-slippery footwear, a helmet and ear protection reduces personal injury.*
- Avoid unexpected start up. Before connecting your power tool to the mains and/or inserting a battery make sure its power switch is in off position. *Carrying your power tool with a finger on its power switch or without disconnecting it from the mains (switched on) may result in an accident.*
- Before starting your power tool remove any keys/wrenches. *Leaving a key/wrench in the rotating part of your power tool may result in personal injury.*
- Do not lean forward too far. Always remain stable and maintain balance. *It will allow you to have a better control over your power tool in unpredictable situations.*
- Wear appropriate clothing. Do not wear loose clothes or jewelry. Keep your hair tied. Keep your clothes away from moving parts. *Loose clothes, jewelry or long hair may be caught by moving parts.*
- If your power tool allows for using an external dust extraction or collection system, make sure it is connected and used properly. Using dust collectors may reduce dust affected risks.
- Do not let your skills gained through the frequent use of the power tool make you overconfident and disregard safety rules. *Carelessness may cause injury in a fraction of a second.*



WARNING! General warnings regarding the use of power tools.

Use and taking care of your power tool:

- Do not overload your power tool. Use a power tool with power adjusted to work being done. *An appropriately chosen power tool will allow you to work better and safer under load it has been designed for.*
- Do not use a power tool when its power switch is out of order (it does not switch it on or off). *Any power tool with its power switch out of order is dangerous and must be repaired.*
- Always disconnect the plug from the power source and/or disconnect its battery before changing any settings, performing replacement or storage. *Such preventive measures reduce the risk of accidental power tool start up.*
- Keep your power tool out of reach of children and do not allow unauthorized persons to use the power tool. *Power tools in hands of untrained persons can be dangerous.*

- e) **Power tools require maintenance.** Check power tools for concentricity or jamming of moving parts, any cracks and all other factors affecting the power tool work safety. If any damage to the power tool is detected, it should be repaired before use. *Improper power tool maintenance is a reason for many accidents.*
- f) **Cutting tools should be sharp and clean.** Keeping sharp cutting edges in good condition reduces the risk of jamming and facilitates operation.
- g) **Power tools, equipment, working tools etc. should be used according to this user's manual taking into account operating conditions and the work to be done.** *Misusing a power tool can result in dangerous situations.*
- h) **At low temperatures and after a long brakes in operation it is recommended to turn the power tool to operate it with no load for a few minutes to provide proper grease distribution inside its driving mechanism.**
- i) **Use soft, damp (cannot be wet) cloth and soap to clean power tools.** Do not use petrol, solvents and other agents that may damage your equipment.
- j) **Power tools can be stored/carried after making sure that all moving components are locked and protected against release with original devices intended for this purpose.**
- k) **Store power tools in a dry, dust and water-protected place.**
- l) **Carry your power tool in its original packaging to provide protection against mechanical damage.**
- m) **Keep handles and grip surfaces clean and free from oil and grease.** *Secure grip and control over the tool in unexpected circumstances are impossible if handles and grip surfaces are slippery.*



WARNING! General warnings regarding the use of power tools.

Repair:

- a) **Warranty and post-warranty repairs of its power tools are carried out by PROFIX Service, which guarantees the best quality or repair and use of genuine spare parts.**



WARNING!

While operating power tools it is necessary to observe basic work safety rules to avoid fire, electric shock or mechanical injury.



ECCENTRIC SANDER

Additional safety tips useful for grinding:

- a) **The eccentric sander hereinafter referred to as "sander" is not a water resistant power tool and it should be used for dry sanding only.** *Penetration of water into the electric tool interior may lead to electrocution.*
- b) **Sanding of metals entails emission of sparks. One should make sure that the sparks splattered during sanding present no hazard to anybody and that all inflammable (combustible) materials are removed from the vicinity.** *Sparking may also lead to self-ignition of grinding dust. The hazard is even more serious when the dust is mixed with remnants of paints, polyurethane or other chemicals and grinded material is hot after prolonged machining. It is why operators must avoid excessive heating of treated material or the grinder as well as always remove dust during breaks and after completion of grinding jobs.*
- c) **Workplace must be always kept clean and tidy.** *Mixtures of various materials are particularly hazardous. Dust of light metals may catch fire or*

explode.

- d) **Aspiration of sanding dust is harmful to health.** Direct physical contact with dusts or their penetration to lungs can cause allergic reactions and/or respiratory system diseases of the operator or persons in the vicinity. Some materials, e.g. paint coatings with lead content, contain potentially toxic chemical substances. In order to reduce the impact of these substances, the workplace must be always well ventilated, and tested and safe protective measures must be used, such as safety dust filter masks with a P2 class absorber designed especially for filtering microscopic particles. *Dust extraction should be used, if only possible.*
- e) **Safety goggles must always be used in order to prevent dust from getting into eyes.**
- f) **Use of hearing protectors is mandatory (headsets, earplugs).** *Long-term exposure to intense noise may lead to deafness.*
- g) **Operators must wear protecting gloves and never touch the grinder shoe when the machine is in motion.** *It presents hazard of hand injuries.*
- h) **While working with the electric tool operators must always hold it with two hands and keep safe position of the entire body.** *Operation of an electric tool with two hands is always safer.*
- i) **Protect the object machined.** *It is safer to fix the object machined in a fixing device or a vice than holding it in your hand.*
- j) **Hold power tool by insulated gripping surfaces, when performing an operation where the grinding accessory may contact hidden wiring or its own cord.** Grinding accessory contacting a 'live' wire may make exposed metal parts of the power tool 'live' and could give the operator an electric shock.
- k) **After unexpected interruption of power voltage, e.g. after a voltage shutoff or unplugging the power cord, it is mandatory to unlock the On/Off trigger and release it to the Off position.** *It is the measure that prevents from unintentional activation of the electric tool.*
- l) **Do not use a power tool with its power cord damaged. Do not touch the power cord when damaged; in case of damaging the power cord during operation unplug it from the mains.** *Damaged power cords increase the risk of electric shock.*

ATTENTION! *If a permanently fixed power cord becomes damaged, it must be replaced with a special cable or assembly available at the manufacturer's or at a specialized repair service point.*

DESIGN AND APPLICATION AREA OF THE SANDER:

The sander is intended for dry sanding and buffing of wooden, wood-based, metal and plastic surfaces and for the removal of old paint coatings using sandpaper with a proper grit size (from 40 to 1200) and Velcro buffing pads.

CAUTION! *Do never use the sander for asbestos and graphite-containing materials. Do not apply for gypsum (joints of cardboard and gypsum panels) or similar materials. Fine dust penetrates into the machine interior and clogs ventilation paths, which leads to overheating of the motor and its eventual burning. Such defects present the reason to make the guarantee rights null and void.*

The tool is a device of the second class of electric protection (double insulation) and is driven with a single-phase motor.

The tool is designed only for household (DIY) application. Do never use the tool for applications that need use of professional equipment. The warranty terms are null and void when the tool is

used at craftsman workshops, for industrial applications or in similar fields.

Any other application not in line with the intended use as specified above is forbidden and makes the guarantee rights null and void. The manufacturer shall not be held responsible for consequential impairments.

The sander design is shown in Fig. A. Any unauthorized modifications of the device carried out by the users themselves release the manufacturer from any responsibility for failures or harms to humans or environment. The intended use of the sander includes also its maintenance, storage, transportation and repairs.

The sander can be repaired only by service workshops appointed by the manufacturer. Any tools supplied from the electric power network can be repaired exclusively by authorized electricians.

Specific residual risks cannot be eliminated despite proper use. The following threats may occur resulting from the design and structure of the machine:

- Hearing loss if necessary hearing protection is not used;
- Harmful emissions of wood dust in confined spaces;
- Risk to health during prolonged use of the power tool. In such circumstances, regular brakes are recommended.

DELIVERY KIT:

- Sander – 1 pc.
- Abrasive paper $\phi 125$ mm – 1 sheet
- Carbon brushes - 2 pcs
- Warranty card - 1 pc.
- Operating manual - 1 pc.

DESCRIPTION OF FIGURES A, B, C, D:

1. Sanding disk
2. Auxiliary holder
3. Speed adjustment knob
4. On/Off switch
5. Main handle with a slip-resistant pad
6. Power cord
7. Dust container
8. Dust ejector nozzle
9. Abrasive sheet
10. Dust suction openings
11. Sanding disk mounting screws

TECHNICAL DATA:

Rated voltage	220-240 V
Rated frequency	50 Hz
Rated power	450 W
Operating speed	0-13000 rpm
Abrasive surface	$\phi 125$ mm
Protection class	□/II
Length of the power cord	3 m
Weight	1,9 kg
Sound pressure level (LpA)	78 dB(A), ± 3 dB(A)
Sound power level (LwA)	89 dB(A), ± 3 dB(A)
Average level of vibrations for the both handles to EN 62841-2-4 (Measurement tolerance $K=1,5$ m/s ²)	4,787 m/s ²

The vibration level value given refers to basic application of the tool. If the tool is used for other applications or with other tools, or if it is not maintained properly, the vibration level may differ from the values given. The above-mentioned causes may lead to higher exposure to vibrations during the whole work time.

One must implement additional safety measures to protect the operators from exposure to vibrations, such as maintenance of the electric tool and work tools, assurance of proper hand temperature, or determination of the sequence of work operations.

The declared total vibrations and declared noise emissions were measured in accordance with a standard test method and may be used for tool comparison.

The declared total vibrations and noise emissions can be used in preliminary exposure assessment.

Warnings:

The vibrations and noise emissions during the actual use of the power tool may differ from the declared values depending on how the tool is used and on the type of the workpiece in particular.

Determine safeguards to protect the operator. They should be based on the estimated exposure under actual operational conditions (taking into account all parts of the operating cycle such as when the tool is switched off for idle except the start time).

PRIOR TO START WORKING:

- Make sure that parameters of the power voltage correspond to the ones of the eccentric sander specified on the rating plate of the device.
- Make sure that the On/Off switch is in the Off position.
- While working with a power cord extension make sure that parameters of the extension cable and cross-sections of its wires are sufficient for parameters of the eccentric sander. It is recommended to use extension cables as short as possible and uncoil them to the full length.

CAUTION: Sanding operations must be always carried out with use of personal protection equipment for the upper respiratory tract (dust masks).

- Due to health reasons it is also mandatory to use a dust container (7) or a vacuum cleaner of industrial type as a system for dust extraction. The suction hose of the vacuum cleaner must be connected directly to the dust ejector nozzle (8) (see Fig. B).
- Extreme caution must be taken while sanding painted surfaces. Some paints or varnishes contain hazardous substances, thus the collected dust must be disposed in the environment-safe manner.
- When sanding operations are carried out on surfaces coated with paints containing lead components it is mandatory to use dust masks capable to adsorb lead vapours. Children or pregnant women are not allowed to stay at such workplaces. No eating or drinking is allowed during such operations.
- The machine must never be applied to grind magnesium-coated surfaces.

INSTALLATION:

WARNING! Disconnect the plug from the electric socket before you start any work on the power tool.

- Replacing the sandpaper (see Fig. C)

Before you install new sandpaper, clean the sanding disk (1) to remove

any dirt and dust using e.g. a brush.

The sanding disk surface (1) is made of Velcro fabric for quick and easy sandpaper pad installation with Velcro fasteners.

Put a sandpaper pad (9) on the sanding disk bottom (1) and press firmly on the entire surface.

To provide optimum dust suction, align the holes in the sandpaper with the dust suction holes (10) in the sanding disk.

■ Installing a dust container (see Fig. B)

Push the dust container (7) over the dust ejection nozzle (8) as far as it goes.

For best results of the integrated dust suction system, empty the dust container every 5–10 minutes of tool operation.

To empty the dust container remove it from the nozzle and tap it gently against a hard surface to separate dust from the walls. Empty the container through the seating opening.

Use a soft brush to clean the container filtering meshes.

■ Replacing the sanding disk (see Fig. D)

WARNING: A damaged sanding disk (1) should be replaced immediately.

Remove the sandpaper or buffing pad.

Using a PH2 screwdriver remove 4 mounting screws (11) and take the sanding disk (1) off. Install a new sanding disk and tighten it securely with screws.

OPERATION:

■ Switching on/off

- To turn the grinder on, move the on/off trigger (4) slider forward.
- To turn the grinder off, move the on/off trigger (4) slider back.

■ Speed selection

The tool is fitted with an electronic control system that makes it possible to select the frequency of rotation depending on the material processed.

The speed adjustment knob (3) can be set within the range from 1 (lowest oscillation frequency, e.g. when sanding surfaces sensitive to high temperatures) to **MAX** (highest oscillation frequency). The required speed depends on the material and working conditions – it can be adjusted by the trial and error method only.

■ Sanding

Secure the machined piece on a steady surface or lock it in a vice. Switch the sander on.

Drive the sanding disk of the tool on the machined surface with small, elliptical movements. Do not apply any additional pressure, the own weight of the device is fully sufficient. Strong pressure onto the treated surface is not a measure that increases efficiency of sanding; instead, it leads to premature wear of both the tool and the abrasive paper.

Repeat several subsequent sanding operations using abrasive paper with lower granulation size each time.

NOTE: Only abrasive sheets of sound working condition guarantee satisfying performance of machining and protect the tool from possible failures.

■ Buffing

To recover the gloss of old and oxidized paintwork or to remove scratches (e.g. from an acrylic glass surface), the tool can be fitted with properly selected Velcro buffing utilities such as: lamb wool bonnet, buffing felt pad or buffing sponge (the above mentioned items are not provided as

standard with the power tool).

Select a low rotational speed (level 1) for buffing to prevent excessive surface heat.

Apply buffing agent as described in the manufacturer's instructions.

Buff in the way described in the instructions provided with the buffing agent by moving the head along or across the surface or with circular movements.

Clean the buffing pad regularly for good buffing results. Wash the buffing pads using a mild detergent and warm water. Do not use solvents.

STORAGE AND MAINTENANCE:



WARNING:

Unplug the device from the electric network before any maintenance or repair operations.

Generally, this power tool does not require any special maintenance. Store the machine in a place away from children, keep it clean and protect from humidity and dust. Storage conditions should exclude any mechanical damage and weathering.

■ Cleaning

In order to provide safe and efficient operation, case and ventilation gaps of the sander should always be free of dust and fouling, if only possible. It is recommended to clean the tool immediately after each use.

Wipe off the sander with a soft, damp rug with a minute amount of soap, or blow it through with compressed air at low pressure.

Do not use any cleaning agents or solvents; they can damage plastic parts of the sander.

Take care to not let water inside the device.

■ Transport

Transport and store the device in a package protecting from humidity and dust. Secure the vents. Small elements penetrating the casing might damage the motor.

TROUBLESHOOTING GUIDE (TYPICAL PROBLEMS):

The tool does not work:

- Check if the power cord is connected properly and check fuses. If the power tool cannot be turned on, send it to a service point. The addresses are provided in the warranty card.

MANUFACTURER:

PROFIX Co. Ltd.,
34 Marywilka Street,
03-228 Warsaw, POLAND.

PROTECTION OF THE ENVIRONMENT:



NOTE: The symbol nearby denotes that old equipment must never be thrown away together with other waste (with the penalty of a fine). Hazardous components of electronic equipment may adversely affect the natural environment and human health.

Each household may contribute to the recovery and reuse (recycling) of old machinery and equipment. Both in Poland and Europe a system for recovery of used equipment either exists or is being created. The system obliges all organizations that sell such equipment to collect the used machinery and appliances. Moreover, general purpose collecting points for such equipment are available.

■ Explanation for icons found on the nameplate:



– «Read this instruction before switching on the power supply and starting the work»



– «Always wear safety goggles»



– «Wear hearing protection»



– «Wear a dust mask»



The policy of the PROFIX company consists in permanent improvements of the offered products and therefore the company reserves the right to make amendments to the product specification without a prior notice. The images included into the operation manual are only of the exemplary nature and may slightly differ from actual appearance of the device purchased.


This instruction manual is protected by copyright. Copying it without the written consent of PROFIX Co. Ltd. is prohibited.



PRZED PRZYSTĄPIENIEM DO UŻYTKOWANIA NALEŻY ZAPOZNAĆ SIĘ Z NINIEJSZĄ INSTRUKCJĄ.

Zachowaj instrukcję do ewentualnego przyszłego wykorzystania.



OSTRZEŻENIE! Należy przeczytać wszystkie ostrzeżenia dotyczące bezpieczeństwa użytkowania oznaczone symbolem  i wszystkie wskazówki dotyczące bezpieczeństwa użytkowania.

Nieprzestrzeganie podanych niżej ostrzeżeń dotyczących bezpieczeństwa i wskazówek dotyczących bezpieczeństwa może być przyczyną porażenia prądem elektrycznym, pożaru i/lub poważnych obrażeń.

Zachowaj wszystkie ostrzeżenia i wskazówki dotyczące bezpieczeństwa, aby móc skorzystać z nich w przyszłości.

W podanych niżej ostrzeżeniach wyrażenie „elektronarzędzie” oznacza elektronarzędzie zasilane z sieci (z przewodem zasilającym) lub elektronarzędzie zasilane z akumulatora (bezprowodowe).



OSTRZEŻENIE! Ogólne ostrzeżenia dotyczące bezpieczeństwa użytkowania narzędzia.

Bezpieczeństwo w miejscu pracy:

- W miejscu pracy należy utrzymywać porządek i dobre oświetlenie. *Nieporządek i złe oświetlenie przyczynia się do wypadków.*
- Nie należy używać elektronarzędzia w środowiskach wybuchowych, tworzonych przez łatwo palne ciecze, gazy lub pyły. *Elektronarzędzie wytwarza iskry, które mogą zapalić pył lub opary.*
- Nie należy dopuszczać dzieci i obserwatorów do miejsc, w których używa się elektronarzędzi. *Rozproszenie uwagi może spowodować utratę kontroli nad elektronarzędziem.*



OSTRZEŻENIE! Ogólne ostrzeżenia dotyczące bezpieczeństwa użytkowania narzędzia.

Bezpieczeństwo elektryczne:

- Wtyczki elektronarzędzi muszą pasować do gniazdek. Nigdy w żaden sposób nie należy przerabiać wtyczki. Nie należy używać żadnych przedłużaczy w przypadku elektronarzędzi mających przewód z żyłą uziemienia ochronnego. *Brak przeróbek we wtyczkach i gniazdkach wtyczkowych zmniejsza ryzyko porażenia prądem elektrycznym.*
- Należy unikać dotykania powierzchni uziemionych lub zwartych z masą, takich jak rury, ogrzewacze, grzejniki centralnego ogrzewania i chłodziarki. *W przypadku dotknięcia części uziemionych lub zwartych z masą, wzrasta ryzyko porażenia prądem elektrycznym.*
- Nie należy narażać elektronarzędzi na działanie deszczu lub warunków wilgotnych. *W przypadku przedostania się do elektronarzędzia wody, wzrasta ryzyko porażenia prądem elektrycznym.*
- Nie należy nadwierać przewodów przyłączeniowych. Nigdy nie należy używać przewodu przyłączeniowego do przeniesienia, ciągnięcia elektronarzędzia lub wyciągania wtyczki z gniazdka. Należy trzymać przewód przyłączeniowy z daleka od źródeł ciepła, olejów, ostrych krawędzi lub ruchomych części. *Uszkodzone lub zaplątane przewody przyłączeniowe zwiększają ryzyko porażenia prądem elektrycznym.*
- W przypadku, gdy elektronarzędzie używa się na wolnym powietrzu, przewody przyłączeniowe należy przedłużać

przedłużaczami przeznaczonymi do pracy na wolnym powietrzu. *Używanie przedłużacza przeznaczonego do pracy na wolnym powietrzu zmniejsza ryzyko porażenia prądem elektrycznym.*

- Zaleca się podłączenie urządzenia do sieci elektrycznej wyposażonej w wyłącznik różnicowo-prądowy (RCD) o prądzie wyłączenia 30mA lub mniejszym.
- W przypadku, gdy używanie elektronarzędzia w środowisku wilgotnym jest nieuniknione, jako ochronę przed napięciem zasilania należy stosować urządzenie różnicowoprądowe (RCD). *Zastosowanie RCD zmniejsza ryzyko porażenia prądem elektrycznym.*



OSTRZEŻENIE! Ogólne ostrzeżenia dotyczące bezpieczeństwa użytkowania narzędzia.

Bezpieczeństwo osobiste:

- Niniejszy sprzęt nie jest przeznaczony do użytkowania przez osoby (w tym dzieci) o ograniczonej zdolności fizycznej, czuciowej lub psychicznej, lub osoby nie mające doświadczenia lub znajomości sprzętu, chyba że odbywa się to pod nadzorem lub zgodnie z instrukcją użytkowania sprzętu, przekazanej przez osoby odpowiadające za ich bezpieczeństwo.
- Należy być przewidującym, obserwować co się robi i zachowywać rozsądek podczas używania elektronarzędzia. Nie należy używać elektronarzędzia, gdy jest się zmęczonym lub pod wpływem narkotyków, alkoholu lub leków. *Chwila nieuwagi podczas pracy elektronarzędziem może spowodować poważne osobiste obrażenia.*
- Należy stosować wyposażenie ochronne. Należy zawsze zakładać okulary ochronne. *Używanie w odpowiednich warunkach wyposażenia ochronnego, takiego jak maska przeciwpyłowa, obuwie antypoślizgowe, kask lub ochronniki słuchu, zmniejszy osobiste obrażenia.*
- Należy unikać niezamierzonego rozruchu. Przed przyłączeniem do źródła zasilania i/lub przed podłączeniem akumulatora oraz zanim podniesie się lub przeniesie się narzędzie należy upewnić się, że wyłącznik elektronarzędzia jest w pozycji wyłączony. *Przenoszenie elektronarzędzia z palcem na wyłączniku lub przyłączenie elektronarzędzia do sieci zasilającej przy załączonym wyłączniku może być przyczyną wypadku.*
- Przed uruchomieniem elektronarzędzia należy usunąć wszystkie klucze. *Pozostawienie klucza w obracającej się części elektronarzędzia może spowodować osobiste obrażenia.*
- Nie należy wychylać się za daleko. Należy cały czas stać pewnie i zachować równowagę. *Umożliwi to lepszą kontrolę nad elektronarzędziem w sytuacjach nieprzewidywalnych.*
- Należy odpowiednio się ubierać. Należy nosić luźnego ubrania ani biżuterii. Należy utrzymywać swoje włosy, ubranie i rękawiczki z dala od części ruchomych. *Luźne ubranie, biżuteria lub długie włosy mogą zostać zacepione przez części ruchome.*
- Jeżeli urządzenia są przystosowane do przyłączenia zewnętrznego odcigu pyłu i pochłaniacza pyłu, należy upewnić się, że są one przyłączone i prawidłowo użyte. *Użycie pochłaniacza pyłu może zredukować zagrożenia zależne od zapylenia.*
- Nie pozwól, aby umiejętności uzyskane dzięki częstemu

pewnym siebie i zignorować zasady bezpieczeństwa. Nieostrożne działanie może spowodować poważne obrażenia w ułamku sekundy.



OSTRZEŻENIE! Ogólne ostrzeżenia dotyczące bezpieczeństwa użytkowania narzędzia.

Użytkowanie i troska o elektronarzędzie:

- a) Nie należy elektronarzędzia przeciążać. Należy stosować elektronarzędzie o mocy odpowiedniej do wykonywanej pracy. Właściwe elektronarzędzie umożliwi pracę lepszą i bezpieczniejszą przy obciążeniu, na jakie zostało zaprojektowane.
- b) Nie należy używać elektronarzędzia, jeżeli łącznik go nie załącza i nie wyłącza. Każde elektronarzędzie, którego nie można załączać lub wyłączać łącznikiem, jest niebezpieczne i musi zostać naprawione.
- c) Należy odłączać wtyczkę ze źródła zasilania elektronarzędzia i/lub odłączyć akumulator przed wykonaniem każdej nastawy, wymiany części lub magazynowaniem. Takie zapobiegawcze środki bezpieczeństwa redukują ryzyko przypadkowego rozruchu elektronarzędzia.
- d) Nieużywane elektronarzędzie należy przechowywać poza zasięgiem dzieci i nie należy pozwalać osobom niezaznajomionym z elektronarzędziem lub niniejszą instrukcją na używanie elektronarzędzia. Elektronarzędzia są niebezpieczne w rękach nieprzeszkolonych użytkowników.
- e) Elektronarzędzia należy konserwować. Należy sprawdzać współosiowość lub zakleszczenie się części ruchomych, pęknięcia części i wszystkie inne czynniki, które mogą mieć wpływ na pracę elektronarzędzia. Jeżeli stwierdzi się uszkodzenia, należy elektronarzędzie przed użyciem naprawić. Przyczyną wielu wypadków jest niefachowy sposób konserwacji elektronarzędzia.
- f) Narzędzia tnące powinny być ostre i czyste. Odpowiednie utrzymywanie ostrych krawędzi narzędzi tnących zmniejsza prawdopodobieństwo zakleszczenia i ułatwia obsługę.
- g) Elektronarzędzie, wyposażenie, narzędzia robocze itp. należy stosować zgodnie z niniejszą instrukcją, biorąc pod uwagę warunki pracy i rodzaj pracy do wykonania. Używanie elektronarzędzia w sposób, do jakiego nie jest przewidziane, może spowodować niebezpieczne sytuacje.
- h) W niskich temperaturach, lub po dłuższym okresie nie użytkowania, zalecane jest włączenie elektronarzędzia bez obciążenia na okres kilku minut w celu właściwego rozprowadzenia smaru w mechanizmie napędu.
- i) Do czyszczenia elektronarzędzi stosować miękką, wilgotną (nie mokra) szmatkę i mydło. Nie stosować benzyny, rozpuszczalników i innych środków mogących uszkodzić urządzenie.
- j) Elektronarzędzie należy przechowywać/ transportować po upewnieniu się, że wszystkie jego elementy ruchome są zablokowane i zabezpieczone przed odblokowaniem za pomocą oryginalnych elementów do tego przeznaczonych.
- k) Elektronarzędzie należy przechowywać w miejscu suchym, zabezpieczone przed kurzem i wnikaniem wilgoci.
- l) Transportowanie elektronarzędzia powinno odbywać się w

opakowaniu oryginalnym, zabezpieczającym przed uszkodzeniami mechanicznymi.

- m) Uchwyt i powierzchnie chwytne należy utrzymywać czyste i wolne od oleju i smaru. Śliskie uchwyty i powierzchnie chwytne nie pozwalają na bezpieczne trzymanie i kontrolę narzędzia w nieoczekiwanych sytuacjach.



OSTRZEŻENIE! Ogólne ostrzeżenia dotyczące bezpieczeństwa użytkowania narzędzia.

Naprawa:

- a) Naprawy gwarancyjne i pogwarancyjne swoich elektronarzędzi wykonuje Serwis PROFIX, co gwarantuje najwyższą jakość napraw oraz stosowanie oryginalnych części zamiennych.



OSTRZEŻENIE!

Podczas pracy narzędziem elektrycznym zaleca się zawsze przestrzegać podstawowych zasad bezpieczeństwa pracy, w celu uniknięcia wybuchu pożaru, porażenia prądem elektrycznym lub obrażenia mechanicznego.



SZLIFIERKA MIMOŚRODOWA

Dodatkowe wskazówki bezpieczeństwa podczas szlifowania:

- a) Szlifierka mimośrodowa, zwana dalej «szlifierką», nie jest urządzeniem wodoodpornym, należy używać ją jedynie do szlifowania na sucho. Przeniknięcie wody do środka elektronarzędzia może spowodować porażenie prądem.
- b) Przy szlifowaniu metali powstają iskry. Należy zadbać o to, aby powstające przy pracy iskry nie stanowiły dla nikogo zagrożenia, oraz usunąć wszystkie znajdujące się w pobliżu łatwopalne materiały. Pod wpływem iskrzenia, może również dojść do samozapalenia się pyłu szlifierskiego. Zwiększone niebezpieczeństwo istnieje, gdy pył taki zmieszany jest z resztkami lakieru, poliuretanu lub innymi chemicznymi materiałami, a materiał szlifowany jest po długiej obróbce rozgrzany. W związku z tym należy unikać przegrzania się szlifowanego materiału i szlifierki oraz zawsze usuwać pył w przerwach i po zakończeniu pracy.
- c) Miejsce pracy należy utrzymywać w czystości. Mieszanki materiałów są szczególnie niebezpieczne. Pył z metalu lekkiego może się zapalić lub wybuchnąć.
- d) Wdychanie pyłu szlifierskiego jest szkodliwe dla zdrowia. Bezpośredni kontakt fizyczny z pyłami lub przedostanie się ich do płuc może wywołać reakcje alergiczne i/lub choroby układu oddechowego operatora lub osób znajdujących się w pobliżu. Niektóre materiały, np. powłoki malarskie z zawartością ołowiu, zawierają substancje chemiczne, które mogą być toksyczne. Żeby zmniejszyć oddziaływanie tych związków chemicznych należy zawsze dbać o dobrą wentylację stanowiska pracy i pracować w sprawdzonych bezpiecznych środkach ochronnych, typu maski przeciwpyłowe z pochłaniaczem klasy P2, które zostały specjalnie opracowane dla filtrowania cząstek mikroskopijnych. W razie możliwości należy stosować odsysanie pyłów.
- e) Podczas pracy należy zawsze używać gogli, żeby uniknąć zapylenia oczu.

- f) **Należy stosować środki ochrony słuchu (nauszniki, stopery).** Długotrwałe narażenie na hałas o wysokiej intensywności może spowodować utratę słuchu.
- g) **Należy stosować rękawice ochronne i nigdy nie wolno dotykać znajdującej się w ruchu podstawy szlifierki.** Grozi to skaleczeniem dłoni.
- h) **Elektronarzędzie należy trzymać podczas pracy mocno w obydwu rękach i zapewnić bezpieczną pozycję pracy.** Elektronarzędzie prowadzone jest bezpieczniej w obydwu rękach.
- i) **Należy zabezpieczyć obrabiany przedmiot.** Zamocowanie obrabianego przedmiotu w urządzeniu mocującym lub imadle jest bezpieczniejsze niż trzymanie go w rękę.
- j) **Trzymać elektronarzędzie za izolowane powierzchnie podczas wykonywania prac, przy których elektronarzędzie mogłoby natrafić na ukryte przewody elektryczne lub na własny przewód.** Pod wpływem kontaktu z przewodami będącymi pod napięciem, wszystkie części metalowe elektronarzędzia znajdują się również pod napięciem i mogą spowodować porażenie prądem operatora.
- k) **W przypadku przerwy w dopływie zasilania, np. po awarii prądu lub po wyjęciu wtyczki z gniazdka, należy odblokować wyłącznik/wyłącznik i ustawić go w pozycji wyłączonej.** W ten sposób można zapobiec niezamierzonemu włączeniu elektronarzędzia.
- l) **Nie wolno używać elektronarzędzia z uszkodzonym przewodem. Nie należy dotykać uszkodzonego przewodu; w przypadku uszkodzenia przewodu podczas pracy, należy wyciągnąć wtyczkę z gniazda.** Uszkodzone przewody podwyższają ryzyko porażenia prądem.

UWAGA! Jeżeli przewód zasilający ulegnie uszkodzeniu, to powinien on być zastąpiony specjalnym przewodem lub zespołem dostępnym u wytwórcy lub w specjalistycznym zakładzie naprawczym.

PRZEZNACZENIE I BUDOWA SZLIFIERKI:

Szlifierka przeznaczona jest do szlifowania i polerowania na sucho powierzchni drewnianych, drewnopochodnych, metalowych, plastikowych i usuwania starych powłok malarskich za pomocą papieru ściernego o odpowiednim uziarnieniu (od 40 do 1200) i nakładek polerskich z rzepem.

UWAGA! Nie stosować do azbestu i materiałów zawierających grafit. Nie stosować do gipsu (spoiny płyt kartonowo-gipsowych) i temu podobnych materiałów. Drobny pył wnikać do wnętrza maszyny powoduje blokowanie przestrzeni wentylacyjnych, co prowadzi do przegrzania i spalania silnika. Powoduje to utratę praw gwarancyjnych.

Szlifierka mimośrodowa jest urządzeniem w drugiej klasie ochronności (podwójna izolacja) i jest napędzana silnikiem jednofazowym.

Urządzenie nie jest przeznaczone do zastosowania zawodowego, rzemieślniczego lub przemysłowego. Umowa gwarancyjna nie obowiązuje, gdy urządzenie było stosowane w zakładach rzemieślniczych, przemysłowych lub do podobnych działalności.

Każde użycie szlifierki niezgodnie z przeznaczeniem podanym wyżej jest zabronione i powoduje utratę gwarancji oraz brak odpowiedzialności producenta za powstałe w wyniku tego szkody.

Budowa szlifierki jest przedstawiona na rys. A. Jakiegokolwiek modyfikacje urządzenia dokonane przez użytkownika zwalniają producenta z

odpowiedzialności za uszkodzenia i szkody wyrządzone użytkownikowi i otoczeniu. Poprawne użytkowanie szlifierki dotyczy także konserwacji, składowania, transportu i napraw.

Szlifierka może być naprawiana wyłącznie w punktach serwisowych wyznaczonych przez producenta. Szlifierki zasilane z sieci powinny być naprawiane tylko przez osoby uprawnione.

Pomimo zgodnego z przeznaczeniem zastosowania nie można całkowicie wyeliminować określonych czynników ryzyka resztkowego. Ze względu na konstrukcję i budowę maszyny mogą wystąpić następujące zagrożenia:

- Uszkodzenia słuchu w wypadku niestosowania koniecznej ochrony słuchu;
- Szkodliwe dla zdrowia emisje pyłów drzewnych w przypadku wykonywania prac w zamkniętych pomieszczeniach;
- Narażenie zdrowia przy dłuższym używaniu elektronarzędzia. W takich sytuacjach rób regularne przerwy w pracy.

KOMPLETACJA:

- Szlifierka mimośrodowa - 1szt.
- Arkusz ścierny $\varnothing 125$ mm - 1szt.
- Szczotki węglowe - 2szt.
- Karta gwarancyjna - 1szt.
- Instrukcja obsługi - 1szt.

OPIS RYSUNKÓW A, B, C, D, E:

1. Talerz szlifierski
2. Uchwyt pomocniczy
3. Pokrętko regulacji prędkości
4. Włącznik
5. Uchwyt główny z nakładką antypoślizgową
6. Przewód zasilający
7. Pojemnik na pył
8. Dysza odprowadzania pyłu
9. Arkusz ścierny
10. Otwory do odsysania pyłu
11. Śruby mocujące talerz szlifierski

DANE TECHNICZNE:

Napięcie nominalne	220-240 V
Częstotliwość nominalna	50 Hz
Moc pobierana	450 W
Prędkość obrotowa	0-13000/min
Powierzchnia ścierna	$\varnothing 125$ mm
Klasa sprzętu	II/II
Długość przewodu zasilającego	3 m
Masa	1,9 kg
Poziom ciśnienia akustycznego (LpA)	78 dB(A), ± 3 dB(A)
Poziom mocy akustycznej (LWA)	89 dB(A), ± 3 dB(A)
Średnia wibracja dla obydwoch uchwytów wg: EN 62841-2-4 (tolerancja pomiaru K=1,5 m/s ²)	4,787 m/s ²

Podany poziom drgań jest reprezentatywny dla podstawowych zastosowań elektronarzędzia. Jeżeli elektronarzędzie użyte zostanie do innych zastosowań lub z innymi narzędziami roboczymi, a także jeśli nie będzie wystarczająco konserwowane, poziom wibracji może odbiegać od podanego.

Podane powyżej przyczyny mogą spowodować podwyższenie ekspozycji na wibracje podczas całego czasu pracy. Należy wprowadzić dodatkowe środki bezpieczeństwa, mające na celu ochronę operatora przed skutkami ekspozycji na wibracje, np.: konserwacja elektronarzędzia i narzędzi roboczych, zabezpieczenie odpowiedniej temperatury rąk, ustalenie kolejności operacji roboczych.

Deklarowana całkowita wartość drgań i deklarowane wartości emisji hałasu zostały zmierzone zgodnie ze standardową metodą badawczą i mogą być wykorzystane do porównania jednego narzędzia z innym.

Deklarowane wartości całkowite drgań i deklarowane wartości emisji hałasu można wykorzystać we wstępnej ocenie narażenia.

Ostrzeżenia:

Wibracje i emisja hałasu podczas rzeczywistego użytkowania elektronarzędzia mogą różnić się od deklarowanych wartości w zależności od sposobu, w jaki narzędzie są używane, w szczególności od rodzaju obrabianego przedmiotu.

Należy określić środki bezpieczeństwa w celu ochrony operatora, które opierają się na oszacowaniu narażenia w rzeczywistym stanie użytkowania (biorąc pod uwagę wszystkie części cyklu operacyjnego, takie jak czas, w których narzędzie jest wyłączone i kiedy pracuje na biegu jałowym z wyjątkiem czasu wywalania).

PRZED PRZYSTĄPIENIEM DO PRACY:

- Upewnić się, że źródło zasilania ma parametry odpowiadające parametrom urządzenia podanym na tabliczce znamionowej.
- Upewnić się, że włącznik urządzenia jest w pozycji wyłączenia.
- W przypadku pracy z przedłużaczem należy upewnić się, że parametry przedłużacza, przekroje przewodów, odpowiadają parametrom urządzenia. Zaleca się stosowanie jak najkrótszych przedłużaczy. Przedłużacz powinien być całkowicie rozwinięty.

UWAGA: Przy szlifowaniu należy używać ochrony górnych dróg oddechowych (maski przeciwpyłowe).

- Ze względów zdrowotnych należy również w trakcie pracy zawsze stosować pojemnik na pył (7) lub odkurzacz przemysłowy, jako system odciągu pyłu. Rurę ssącą odkurzacza należy podłączyć bezpośrednio do dyszy odprowadzania pyłu (8) w szlifierce (patrz rys. B).
- Przy szlifowaniu powierzchni lakierowanych należy zachować szczególne środki ostrożności. Niektóre lakiery zawierają szkodliwe substancje, dlatego też należy usuwać pył w sposób bezpieczny dla środowiska.
- Przy szlifowaniu powierzchni pokrytych farbami zawierającymi związki ołowiu należy stosować maski pochłaniające opary ołowiu. Dzieci i kobiety ciężarne nie mogą przebywać w miejscu pracy. Nie należy spożywać posiłków i pić w miejscu pracy.
- Nigdy nie używaj maszyny do szlifowania powierzchni magnetycznych.

MONTAŻ:

UWAGA! Przed wszystkimi pracami przy elektronarzędziu należy wyciągnąć wtyczkę z gniazda.

Wymiana papieru ściernego (patrz rys. C)

Przed założeniem nowego papieru ściernego, należy oczyścić talerz szlifierski (1) z zanieczyszczeń i kurzu, używając do tego np. pędzelka.

Powierzchnia talerza szlifierskiego (1) wykonana jest z tkaniny do mocowania na rzepy, aby możliwe było szybkie i łatwe przymocowanie arkuszy papieru ściernego na rzepy.

Należy przykleić arkusz ścierny (9) na spód talerza szlifierskiego (1) i mocno go docisnąć po całej powierzchni.

Aby zagwarantować optymalne odsysanie pyłu, należy zwrócić uwagę na to, aby otwory w papierze ściernym pokrywały się z otworami do odsysania pyłu (10) w talerzu szlifierskim.

Montaż pojemnika na pył (patrz rys. B)

Nasadzić pojemnik na pył (7) na dyszę odprowadzania pyłu (8) aż do oporu.

W celu uzyskania najlepszych wyników pracy wbudowanego systemu odsysania pyłów należy opróżnić pojemnik na pył po każdym 5-10 minutach pracy.

Aby opróżnić pojemnik na pył należy ściągnąć go z dyszy i lekko postukać nim o twarde podłoże, aby spowodować oddzielenie się pyłu od ścianek. Opróżnić pojemnik przez otwór nasadowy.

Siateczki filtrujące pojemnika należy czyścić za pomocą miękkiego pędzelka.

Wymiana talerza szlifierskiego (patrz rys. D)

UWAGA: Uszkodzony talerz szlifierski (1) należy natychmiast wymienić.

Zdjąć papier ścierny lub nakładkę polerską.

Za pomocą śrubokręta PH2 całkowicie wykręcić 4 śruby mocujące (11) i zdjąć talerz szlifierski (1). Założyć nowy talerz szlifierski i przykręcić mocno śrubami.

PRACA:

Włączanie/wyłączenie

- W celu włączenia szlifierki należy przesunąć suwak włącznika (4) do przodu.
- W celu wyłączenia szlifierki należy przesunąć suwak włącznika (4) do tyłu.

Dobór prędkości obrotowej

Urządzenie jest wyposażone w elektroniczny układ sterowania, umożliwiający dobór częstotliwości obrotów stosownie do obrabianego materiału.

Pokrętło regulacji prędkości obrotów (3) można wyregulować w zakresie od 1 (najniższa częstotliwość drgań, np. przy szlifowaniu powierzchni wrażliwych termicznie) do MAX (najwyższa częstotliwość drgań). Wymagana prędkość obrotowa uzależniona jest od rodzaju materiału i warunków pracy – dobrą jej można jedynie metodą prób.

Szlifowanie

Zabezpieczyć obrabiany przedmiot na stabilnym podłożu lub za pomocą imadła. Włączyć urządzenie.

Powierzchnie szlifującą szlifierki prowadzić nieznanymi eliptycznymi ruchami po powierzchni przedmiotu obrabianego. Nie stosować żadnego dodatkowego nacisku, masa własna urządzenia jest w pełni wystarczająca. Większy nacisk urządzenia do obrabianego materiału nie prowadzi do zwiększenia wydajności usuwania, lecz do szybszego zużycia urządzenia i papieru ściernego.

Wykonać szereg kolejnych czynności szlifowania stosując arkusze ściernie o malejącej wielkości ziarna.

UWAGA: Tylko arkusze ściernie, znajdujące się w technicznie nienagannym stanie gwarantują dobrą wydajność obróbki i zapobiegają uszkodzeniom elektronarzędzia.

■ Polerowanie

Aby nadać połysk zwierzchnemu lakierowi lub usunąć zadrapania (np. ze szkła akrylowego) urządzenie można wyposażyć w odpowiednie narzędzia polerskie z rzepem, takie jak nakładka z wełny jagnięcej, filc polerski lub gąbkę polerską (opisany osprzęt nie wchodzi w skład wyposażenia standardowego).

Do polerowania wybrać niską prędkość obrotową (stopień 1), aby zapobiec nadmiernemu nagrzananiu się powierzchni.

Należy użyć środka polerski zgodnie z instrukcją producenta.

Polerować zgodnie z instrukcją dołączoną do środka polerskiego ruchami wzdłuż i w poprzek powierzchni lub ruchami okrężnymi.

Należy regularnie czyścić narzędzie polerskie, aby zagwarantować dobre wyniki polerowania. Prać narzędzia polerskie łagodnym środkiem piorącym i ciepłą wodą. Nie stosować rozpuszczalników.

PRZECHOWYWANIE I KONSERWACJA:



OSTRZEŻENIE:

Przed wszystkimi pracami konserwacyjnymi należy wyciągnąć wtyczkę z gniazda.

Maszyna w zasadzie nie wymaga specjalnych zabiegów konserwacyjnych. Maszynę należy przechowywać w miejscu, niedostępnym dla dzieci, utrzymywać w stanie czystości, chronić przed wilgocią i zapyleniem. Warunki przechowywania powinny wykluczać możliwość uszkodzeń mechanicznych oraz wpływ czynników atmosferycznych.

■ Czyszczenie

Aby zapewnić bezpieczną i wydajną pracę, obudowa szlifierki i szczeliny wentylacyjne powinny być w miarę możliwości zawsze wolne od pyłu i zanieczyszczeń. Zaleca się czyszczenie urządzenia bezpośrednio po każdorazowym użyciu.

Szlifierkę wycierać czystą wilgotną ściereczką z niewielką ilością mydła lub przedmuchać sprężonym powietrzem o niskim ciśnieniu.

Nie używać żadnych środków czyszczących ani rozpuszczalników. Mogą one uszkodzić części urządzenia wykonane z tworzywa sztucznego.

Należy uważać, aby do wnętrza urządzenia nie dostała się woda.

■ Transport

Urządzenie transportować i składować w opakowaniu chroniącym przed wilgocią, wnikaniem pyłu i drobnych obiektów, zwłaszcza należy

zabezpieczyć otwory wentylacyjne. Drobne elementy, które dostaną się do wnętrza obudowy mogą uszkodzić silnik.

TYPOWE USTERKI I USUWANIE:

Urządzenie nie działa:

- Sprawdzić czy przewód zasilający jest prawidłowo podłączony oraz skontrolować bezpieczniki. Jeżeli elektronarzędzie nie daje się włączyć, należy je odesłać do jednego z punktów serwisowych. Adresy podane są w karcie gwarancyjnej.

PRODUCENT:

PROFIX Sp. z o.o.,
ul. Marywilska 34,
03-228 Warszawa

OCHRONA ŚRODOWISKA:



UWAGA: Przedstawiony symbol oznacza zakaz umieszczania zużytego sprzętu łącznie z innymi odpadami (z zagrożeniem karą grzywny). Składniki niebezpieczne znajdujące się w sprzęcie elektrycznym i elektronicznym wpływają negatywnie na środowisko naturalne i zdrowie ludzi.

Gospodarstwo domowe powinno przyczyniać się do odzysku i ponownego użycia (recyklingu) zużytego sprzętu. W Polsce i w Europie tworzony jest lub już istnieje system zbierania zużytego sprzętu, w ramach którego wszystkie punkty sprzedaży ww. sprzętu mają obowiązek przyjmować zużyty sprzęt. Ponadto istnieją punkty zbiórki ww. sprzętu.

■ Objaśnienie ikonek znajdujących się na tabliczce znamionowej i naklejkach informacyjnych na urządzeniu



«Przed uruchomieniem przeczytać instrukcję obsługi»



«Zawsze stosować okulary ochronne»



«Stosować środki ochrony słuchu»



«Stosować maskę przeciwpyłową»



Polityka firmy PROFIX jest polityką stałego udoskonalania swoich produktów i dlatego firma rezerwuje sobie prawo zmiany specyfikacji wyrobu bez uprzedniego zawiadomienia. Obrazki, podane w instrukcji obsługi, są przykładowe i mogą się nieznacznie różnić od rzeczywistego wyglądu zakupionego urządzenia.


Niniejsza instrukcja jest chroniona prawem autorskim. Kopiowanie/ powielanie jej bez pisemnej zgody firmy Profix Sp. z o.o. jest zabronione.



ПЕРЕД НАЧАЛОМ ЭКСПЛУАТАЦИИ НЕОБХОДИМО ОЗНАКОМИТЬСЯ С НАСТОЯЩЕЙ ИНСТРУКЦИЕЙ.

Хранить инструкцию для возможного применения в будущем.



ПРЕДУПРЕЖДЕНИЕ! Необходимо ознакомиться со всеми предупреждениями, касающимися безопасности при эксплуатации, обозначенными символом  и всеми указаниями по технике безопасности.

Несоблюдение указанных ниже предупреждений, касающихся безопасности и указаний по технике безопасности может привести к поражению электрическим током, пожару и/или серьёзным травмам тела.

Необходимо хранить все предупреждения и указания, касающиеся техники безопасности, чтобы можно было воспользоваться ними в будущем.

В указанных ниже предупреждениях слово „электроинструмент“ означает электроинструмент с питанием от сети (посредством электрического кабеля) или электроинструмент, питаемый от аккумулятора (беспроводное питание).



ПРЕДУПРЕЖДЕНИЕ! Общие предупреждения, касающиеся безопасности при эксплуатации инструмента.

Техника безопасности на рабочем месте:

- a) Необходимо поддерживать порядок и хорошее освещение на рабочем месте. Беспорядок и плохое освещение являются причиной несчастных случаев.
- б) На следует использовать электроинструмент во взрывоопасной среде, образующейся легко воспламеняющимися жидкостями, газами или пылью. Электроинструмент создаёт искры, которые могут привести к воспламенению пыли или испарений.
- в) Не допускать детей и наблюдателей в места, в которых применяются электроинструменты. Отвлечение внимания может привести к потере контроля над электроинструментом.



ПРЕДУПРЕЖДЕНИЕ! Общие предупреждения, касающиеся безопасности при эксплуатации инструмента.

Электробезопасность:

- a) Штепсельные вилки должны соответствовать сетевым розеткам. Ни в коем случае не переделывать каким-либо образом штепсельную вилку. Не применять каких-либо удлинителей электропитания в случае использования электроинструментов, имеющих провод электропитания с защитным заземляющим проводником. Отсутствие переделок штепсельных розеток и сетевых розеток снижает опасность поражения электрическим током.
- б) Необходимо избегать прикосновения к поверхности заземлённых или закороченных на массу элементов, таких как трубы, нагреватели, радиаторы центрального

отопления и холодильные агрегаты. В случае прикосновения заземлённого или закороченного на массу элемента увеличивается опасность поражения электрическим током.

- в) Не подвергать электроинструменты воздействию дождя или влажных условий. В случае попадания в электроинструмент воды увеличивается опасность поражения электрическим током.
- г) Не создавать опасности повреждения кабеля электропитания. Ни в коем случае не использовать кабель электропитания, чтобы переносить или тянуть электроинструмент или для извлечения штепсельной вилки из розетки. Кабель электропитания должен находиться вдали от источников тепла, масел, острых краёв и движущихся частей. Повреждённые или запутанные кабели электропитания увеличивают опасность поражения электрическим током.
- д) Если электроинструмент эксплуатируется на свежем воздухе, следует использовать удлинители кабеля электропитания, предназначенные для работы вне помещений. Использование удлинителя кабеля электропитания, предназначенного для работы вне помещений, снижает опасность поражения электрическим током.
- е) Рекомендуется подключение устройства к электрической сети, снабженной выключателем остаточного тока (RCD) с током выключения 30 мА или менее.
- ё) Если эксплуатация электроинструмента во влажной среде неизбежна, в качестве защиты от напряжения питания необходимо использовать защитное устройство по разностному току (RCD). Применение защитного устройства по разностному току снижает опасность поражения электрическим током.



ПРЕДУПРЕЖДЕНИЕ! Общие предупреждения, касающиеся безопасности при эксплуатации инструмента.

Индивидуальная безопасность:

- a) Настоящее оборудование не предназначено для эксплуатации лицами (включая детей) с физическими, сенсорными или умственными ограничениями или лицами, не имеющими опыта или не знающими оборудования, разве что это осуществляется под надзором или в соответствии с инструкцией по эксплуатации оборудования, переданной лицами, отвечающими за их безопасность.
- б) Необходимо быть предусмотрительным, наблюдать за работой и руководствоваться здравым смыслом во время эксплуатации электроинструмента. Не следует эксплуатировать электроинструмент в состоянии переутомления или находясь под действием наркотиков, алкоголя или лекарств. Мгновение невнимания во время эксплуатации электроинструмента может быть причиной травмы пользователя.
- в) Необходимо применять средства личной защиты.

Необходимо обязательно работать с защитными очками.

Применение в соответствующих условиях средств личной защиты, таких как противовыпальный респиратор, противоскользкая обувь, каска или средства защиты слуха снизит риск получения травмы.

- г) **Необходимо избегать случайного запуска в работу.** Прежде чем вставить вилку кабеля электропитания в сетевую розетку или подключить аккумулятор, а также перед тем, как поднять или перенести электроинструмент, необходимо убедиться, что выключатель электроинструмента находится в положении «выключено». *Перенос электроинструмента с пальцем на выключателе или подключение электроинструмента к сети питания при включенном выключателе может привести к несчастному случаю.*
- д) **Прежде, чем запустить электроинструмент в работу, необходимо устранить все ключи.** *Ключ, оставшийся во вращающейся части электроинструмента, может привести к травме пользователя.*
- е) **Не следует слишком сильно наклоняться.** *Необходимо всё время сохранять устойчивость и равновесие. Это позволяет лучше контролировать электроинструмент в неожиданных ситуациях.*
- ж) **Необходимо иметь соответствующую одежду.** *Не работать в свободной одежде или с бижутерией. Необходимо, чтобы волосы пользователя, его одежда и перчатки находились вдали от движущихся элементов. Свободная одежда, бижутерия или длинные волосы могут быть зацеплены движущимися частями.*
- з) **Если оборудование приспособлено для присоединения внешнего пылеотвода (пылеулавливающего устройства) и поглотителя пыли, необходимо убедиться, что они присоединены и правильно применяются.** *Применение поглотителей пыли может уменьшить опасность, связанную с запыленностью.*
- и) **Не позволяйте, чтобы навыки, приобретенные благодаря частому пользованию электроинструментом, позволили Вам почувствовать себя самоуверенно и проигнорировать правила техники безопасности.** *Неосторожные действия могут вызвать серьезные травмы в течение доли секунды.*



ПРЕДУПРЕЖДЕНИЕ! Общие предупреждения, касающиеся безопасности при эксплуатации инструмента.

Эксплуатация и уход за электроинструментом:

- а) **Не допускать перегрузки электроинструмента.** *Применять электроинструмент с мощностью, соответствующей выполняемой работе. Надлежащий электроинструмент позволит лучше и безопаснее работать при нагрузке, на которую он рассчитан.*
- б) **Не следует применять электроинструмент, если его выключатель не включается и не выключается.** *Каждый электроинструмент, который не может включаться или выключаться выключателем, представляет опасность и должен быть передан на ремонт.*
- в) **Необходимо отсоединить штепсельную вилку от источника питания электроинструмента и/или отсоединить аккумулятор прежде чем выполнить какую-**

либо установку, замену части или складирование устройства. Такие предупредительные меры безопасности снижают риск случайного запуска электроинструмента в работу.

- г) **Неиспользуемый электроинструмент следует хранить в недоступном для детей месте и не разрешать тем, кто незнаком с электроинструментом или настоящей инструкцией, пользоваться электроинструментом.** *Электроинструмент опасен в руках необученных пользователей.*
- д) **Следует выполнять технический уход за электроинструментом.** *Необходимо проверить соосность или отсутствие заедания (защемления) подвижных элементов, трещин частей, а также все другие факторы, могущие влиять на работу электроинструмента. В случае обнаружения неисправности, необходимо выполнить ремонт электроинструмента. Причиной многих несчастных случаев является непрофессиональный способ выполнения технического ухода.*
- е) **Режущий инструмент должен быть острым и чистым.** *Соответствующее содержание и уход за острыми кромками режущего инструмента снижает вероятность защемления и упрощает обслуживание.*
- ж) **Электроинструмент, оснащение, рабочие инструменты и т. п. необходимо применять в соответствии с настоящей инструкцией, учитывая рабочие условия и вид выполняемой работы.** *Применение электроинструмента по назначению может привести к опасным ситуациям.*
- з) **При низкой температуре или после длительного перерыва в эксплуатации рекомендуется включение электроинструмента без нагрузки на несколько минут с целью распределения смазки в механизме привода.**
- и) **Для чистки электроинструмента применять мягкую, влажную (не мокрую) тряпку и мыло.** *Не применять бензина, растворителей и других средств, могущих повредить устройство.*
- й) **Электроинструмент следует хранить/ транспортировать, убедившись, что все его подвижные элементы заблокированы и защищены от разблокировки при помощи оригинальных элементов, предназначенных для этой цели.**
- к) **Электроинструмент должен храниться в сухом месте и быть защищенным от пыли и проникания влаги.**
- л) **Транспортировку электроинструмента необходимо выполнять в оригинальной упаковке, защищающей от механических повреждений.**
- м) **Держатели и хватательные поверхности следует содержать в чистоте, устраняя с них масло и смазку.** *Скользкие держатели и хватательные поверхности не позволяют безопасно держать инструмент и контролировать его в случае возникновения неожиданных ситуаций.*



ПРЕДУПРЕЖДЕНИЕ! Общие предупреждения, касающиеся безопасности при эксплуатации инструмента.

Ремонт:

- а) **Гарантийный и послегарантийный ремонт своих электроинструментов выполняет сервисная служба компании PROFIX, что гарантирует высочайшее качество ремонта и использование оригинальных запчастей.**



ПРЕДУПРЕЖДЕНИЕ!

Во время работы с электроинструментом следует обязательно соблюдать основные меры безопасности при работе, чтобы избежать взрыва, пожара, поражения электрическим током, или механической травмы.



ЭКЦЕНТРИКОВАЯ ШЛИФОВАЛЬНАЯ МАШИНА

Дополнительные указания по технике безопасности при шлифовке:

- a) Эксцентриксовая шлифовальная машина, именуемая далее «шлифовальная машина», не является водостойким устройством, её следует использовать только для сухой шлифовки. Попадание воды вовнутрь электроинструмента может привести к поражению электрическим током.
- b) Во время шлифовки металла образуются искры. Необходимо следить за тем, чтобы возникающие во время работы искры не представляли опасности для кого-либо, а также устранить все находящиеся вблизи легковоспламеняющиеся материалы. В результате искрения может также произойти самовозгорание шлифовальной пыли. Повышенная опасность имеется также, если такая пыль содержит остатки краски, лака, полиуретана или других химических материалов, и шлифованный материал разогрет при длительной обработке. Поэтому следует избегать перегрева шлифованного материала и шлифовальной машины, а также устранять пыль в перерыве и после окончания работы.
- c) Необходимо поддерживать чистоту в месте выполнения работы. Смеси материалов представляют особую опасность. Пыль лёгких металлов может воспалиться или взорваться.
- d) Вдыхание шлифовальной пыли очень вредно для здоровья. Непосредственный физический контакт с пылью или попадание её в лёгкие может привести к аллергической реакции и/или заболеваниям дыхательных путей оператора шлифовальной машины или находящихся вблизи лиц. Некоторые материалы, напр. лакокрасочные покрытия, содержащие свинец, содержат химические вещества, могущие быть токсичными. Чтобы снизить воздействие этих химических соединений, необходимо обязательно обеспечить хорошую вентиляцию на рабочем месте и работать с применением проверенных безопасных защитных средств, таких как противопыльные респираторы с поглотителем класса P2, специально разработанные для фильтрации микроскопических частиц. По возможности применять отсос пыли.
- e) При работе необходимо использовать защитные очки типа «гоглы», чтобы избежать попадания пыли в глаза.
- f) Необходимо применять средства защиты слуха (противошумные наушники, заглушки-вкладыши). Длительное воздействие шума с высокой интенсивностью может привести к потере слуха.
- g) Необходимо работать в защитных рукавицах и ни в коем случае не прикасаться к движущемуся основанию

шлифовальной машины. Это может привести к травмированию ладони.

- h) Электроинструмент необходимо прочно держать обеими руками и сохранять безопасное рабочее положение. Перемещение электроинструмента безопасно, если выполняется обеими руками.
- i) Необходимо закрепить обрабатываемый предмет. Закрепление обрабатываемого предмета в крепящем устройстве или тисках более безопасно, чем удерживание его рукой.
- j) При выполнении работ, при которых электроинструмент может попасть на скрытую электропроводку или на собственный кабель электропитания, электроинструмент следует держать за изолированную поверхность держателей (рукояток). Прикосновение к проводу сети питания (кабелю электропитания), находящемуся под напряжением, может привести к попаданию напряжения на металлические части электроинструмента, а это несёт опасность поражения электрическим током.
- k) В случае перерыва в подаче питания, напр. при аварии сети электропитания или после извлечения штепсельной вилки из розетки, необходимо разблокировать включатель/выключатель и установить его в положение «выключено». Таким образом можно избежать непреднамеренного включения электроинструмента.
- l) Запрещено эксплуатировать электроинструменты с повреждённым кабелем электропитания. Не прикасаться к повреждённому кабелю электропитания. В случае повреждения кабеля электропитания во время работы, необходимо извлечь штепсельную вилку из розетки. Повреждённые провода увеличивают опасность поражения электрическим током.

ВНИМАНИЕ! Если кабель электропитания будет повреждён, необходимо заменить его специальным кабелем или блоком на предприятии-изготовителе или специализированном ремонтном предприятии.

ПРЕДНАЗНАЧЕНИЕ И КОНСТРУКЦИЯ ШЛИФОВАЛЬНОЙ МАШИНЫ:

Шлифовальная машина предназначена для сухой шлифовки и полировки деревянных поверхностей, поверхности древеснопроизводных материалов, металлических и пластмассовых поверхностей, для устранения старых покрытий при помощи наждачной бумаги с соответствующей зернистостью (от 40 до 1200) и полировальных накладок с липучкой.

ВНИМАНИЕ! Не применять для обработки асбеста и материалов, содержащих графит. Не применять для обработки гипса (швы гипскартонных листов) и тому подобных материалов. Мелкая пыль, попадая вовнутрь машины, приводит к блокировке вентиляционного пространства, что ведёт к перегреву и сгоранию обмотки электродвигателя. Это ведёт в результате к потере гарантии.

Эксцентриксовая шлифовальная машина имеет второй класс электрической защиты (двойная изоляция) и приводится в движение однофазным электродвигателем.

Запрещено применять электроинструмент для работ, требующих применения профессиональных инструментов. Гарантийный договор не действителен, если электроинструмент использовался на ремесленных, промышленных предприятиях или предприятиях с подобной деятельностью.

Всякое применение шлифовальной машины, несоответствующее указанному выше назначению, запрещено и ведёт к потере гарантии и отсутствию ответственности производителя за возникший в результате этого ущерб.

Конструкция шлифовальной машины представлена на рис. А. Какие-либо модификации электроинструмента, осуществлённые пользователем, освобождают производителя от ответственности за повреждения и ущерб, причинённый пользователю и окружающей среде. Правильная эксплуатация шлифовальной машины касается также технического обслуживания, хранения, транспортировки и ремонта.

Ремонт шлифовальной машины может выполняться только в определённых производителем сервисных пунктах. Шлифовальные машины с питанием от сети должны ремонтироваться исключительно лицами, имеющими соответствующий допуск.

Даже при использовании по назначению, невозможно полностью устранить некоторые факторы остаточного риска. В силу конструкции и строения устройства могут возникнуть следующие опасности:

- Повреждение слуха в случае неприменения необходимой защиты органов слуха;
- Вредные для здоровья выбросы древесной пыли при выполнении работ в закрытых помещениях;
- Воздействие на здоровье при длительном использовании электроинструмента. В таких ситуациях делайте регулярные перерывы в работе.


СОСТАВ КОМПЛЕКТА:

- Шлифовальная машина - 1 шт.
- Лист наждачной бумаги $\phi 125$ мм - 1 шт.
- Электророзетки - 2 шт.
- Гарантийная карта - 1 шт.
- Инструкция по эксплуатации - 1 шт.

ОПИСАНИЕ РИСУНКОВ А, В, С, D:

1. Шлифовальная тарелка
2. Вспомогательная рукоятка
3. Регулировка частоты вращения
4. Выключатель
5. Основная рукоятка с противоскользящей накладкой
6. Кабель электропитания
7. Пылесборный контейнер
8. Сопло пылеотвода
9. Лист наждачной бумаги
10. Отверстия для отсоса пыли
11. Винты крепления шлифовальной тарелки

ТЕХНИЧЕСКИЕ ПАРАМЕТРЫ:

Напряжение питания номинальное	220-240 В
Частота питания номинальная	50 Гц
Мощность номинальная	450 Вт
Частота вращения	0-13000/мин
Абразивная поверхность	$\phi 125$ мм
Класс оборудования	 / II
Длина кабеля электропитания	3 м
Вес	1,9 кг
Уровень звукового давления (LpA)	78 дБ(A), ± 3 дБ(A)
Уровень звуковой мощности (LwA)	89 дБ(A), ± 3 дБ(A)
Среднее виброускорение для обеих рукояток в соответствии со стандартом: EN 62841-2-4 (коэффициент погрешности измерения K=1,5 м/с ²)	4,787 м/с ²

Указанный уровень вибрации соответствует основным применениям электроинструмента. Если электроинструмент будет использован для других применений или с другими рабочими инструментами, а также, если не будет выполнен соответствующий технический уход, уровень вибрации может отличаться от указанного. Указанные выше причины могут привести к усилению воздействия вибраций в течение всего времени работы.

Необходимо применять дополнительные меры безопасности с целью защиты оператора от воздействия вибрации, а именно: технический уход за электроинструментом и рабочими инструментами, обеспечение соответствующей температуры рук, определение очередности рабочих операций.

Заявленное общее значение вибрации и заявленные значения эмиссии шума были измерены в соответствии со стандартным методом испытаний и могут быть использованы для сравнения одного инструмента с другим.

Заявленные общие значения вибрации и заявленные значения эмиссии шума можно использовать в предварительной оценке подверженности опасности.

Предупреждения:

Вибрация и эмиссия шума во время практического использования электроинструмента могут отличаться от заявленных значений в зависимости от способа, которым инструменты используются, в особенности от типа обрабатываемого предмета.

Следует определить средства безопасности с целью защиты оператора, которые основываются на расчете уровня подверженности опасности в состоянии реального использования (учитывая все этапы операционного цикла, в ходе которых инструмент выключен и когда работает на холостом ходу, за исключением времени высвобождения).

ПРЕЖДЕ ЧЕМ ПРИСТУПИТЬ К РАБОТЕ:

- Убедиться, что источник питания имеет параметры, соответствующие параметрам эксцентриковой шлифовальной машины, указанным на её щитке.
- Убедиться, что выключатель шлифовальной машины находится в положении «выключено».

- При работе с удлинителем электропитания необходимо убедиться, что параметры удлинителя, сечения его проводов соответствуют параметрам шлифовальной машины. Рекомендуется применять максимально короткие удлинители. Удлинитель должен быть полностью размотан.

ВНИМАНИЕ: Во время шлифовки необходимо применять средства защиты верхних дыхательных путей (противопыльные респираторы).

- Для защиты здоровья необходимо обязательно во время работы использовать пылесборный контейнер (7) или промышленный пылесос, в качестве системы пылеотвода. Трубу всасывания пылесоса необходимо подключить непосредственно к соплу пылеотвода (8) шлифовальной машины (см. рис. В, стр. 2).
- При шлифовке поверхностей с лакокрасочным покрытием необходимо соблюдать особые средства предосторожности. Некоторые лакокрасочные материалы содержат вредные вещества, поэтому необходимо устранять пыль безопасным для окружающей среды способом.
- При шлифовке поверхностей с лакокрасочным покрытием, содержащим соединения свинца, необходимо применять респираторы, поглощающие пары свинца. В месте выполнения работ не могут находиться дети и беременные женщины. Не потреблять пищу и напитки на рабочем месте.
- Ни в коем случае не применять шлифовальную малину для шлифовки магнитной поверхности.

МОНТАЖ:

ВНИМАНИЕ! Прежде чем начать выполнение установочных работ с электроинструментом, необходимо извлечь штепсельную вилку из сетевой розетки.

■ Смена наждачной бумаги (см. рис. С)

Прежде, чем установить новую наждачную бумагу, необходимо очистить шлифовальную тарелку (1) от загрязнений и пыли, используя для этого напр. кисть.

Поверхность шлифовальной тарелки (1) изготовлена из ткани для крепления на липучке, чтобы было возможно быстрое и простое крепление абразивных листов с липучкой.

Уложить лист наждачной бумаги (9) на низ шлифовальной тарелки (1) и прочно прижать его по всей поверхности.

Чтобы обеспечить оптимальный отсос пыли, необходимо следить, чтобы отверстия на наждачной бумаге совпадали с отверстиями для отсоса пыли (10) на шлифовальной тарелке.

■ Установка пылесборного контейнера (см. рис. В)

Насадить пылесборный контейнер (7) на пылеотводный патрубок (8) доупора.

Чтобы получить максимальный эффект работы встроенной системы пылеотсоса необходимо опорожнять пылесборный контейнер через каждые 5-10 минут работы.

Чтобы опорожнить пылесборный контейнер необходимо снять его с пылеотводного патрубка и слегка постучать ним по твёрдому основанию, чтобы пыль отделилась от стенок. Опорожнить контейнер через посадочное отверстие.

Фильтрующую сеточку контейнера следует чистить при помощи мягкой кисти.

■ Смена шлифовальной тарелки (см. рис. D)

ВНИМАНИЕ: Повреждённую шлифовальную тарелку (1) необходимо немедленно заменить.

Снять наждачную бумагу или полировальную накладку.

При помощи отвёртки PH2 полностью вывинтить 4 крепящих винта (11) и снять шлифовальную тарелку (1). Наложить новую шлифовальную тарелку и прочно привинтить винтами.

РАБОТА:

■ Включение / выключение

- Чтобы включить шлифовальную машину необходимо передвинуть ползунок включателя (4) вперёд.
- Чтобы выключить шлифовальную машину необходимо передвинуть ползунок включателя (4) назад.

■ Выбор частоты вращения

Устройство имеет систему электронного управления, позволяющую выбирать частоту вращения в соответствии с обрабатываемым материалом.

Регулятор частоты вращения (2) можно устанавливать в пределах от 1 (минимальная частота вибрации, напр. при шлифовке термочувствительной поверхности) до МАХ (максимальная частота вибраций). Требуемая частота вращения зависит от вида материала и условий работы - её можно выбрать только путём проб (опытным путём).

■ Шлифовка

Обеспечить надёжное размещение обрабатываемого предмета на стабильном основании или при помощи тисков. Включить электроинструмент.

Шлифующую поверхность шлифовальной машины следует перемещать эллиптическими движениями по обрабатываемой поверхности. Не применять дополнительного нажима, достаточным является собственный вес электроинструмента. Усиление нажима на обрабатываемую поверхность не повышает производительность устранения материала, а только ускоряет износ электроинструмента и наждачной бумаги.

Выполнить последовательность операций шлифования, применяя наждачную бумагу уменьшающейся зернистостью.

ВНИМАНИЕ: Только находящаяся в технически безукоризненном состоянии наждачная бумага обеспечивает хорошую производительность обработки и предотвращает повреждение электроинструмента.

■ Полировка

Чтобы восстановить блеск лака (устранение дефекта «выветренный лак») или устранить царапины (напр. на акриловом стекле), устройство может быть оснащено соответствующими полировальными инструментами (слипучкой, такими как накладка из шерсти ягнёнка, круг из полировального войлока или полировальной губки (описанные принадлежности не входят в состав стандартного оснащения).

Для полировки следует выбрать малую частоту вращения (уровень 1), чтобы предотвратить чрезмерный нагрев поверхности.

Нанести средство для полировки в соответствии с инструкцией производителя.

Полировать следует согласно инструкции, прилагаемой к средству

для полировки, движениями, направленными вдоль и поперек поверхности или вращательными движениями.

Необходимо регулярно чистить полировальный инструмент, чтобы обеспечить хорошие результаты полировки. Полировальные инструменты стирать в деликатном моющем средстве и тёплой воде. Не применять растворителей.

ХРАНЕНИЕ И ТЕХНИЧЕСКИЙ УХОД:



ПРЕДУПРЕЖДЕНИЕ: Прежде чем приступать к техническому уходу, необходимо извлечь штепсельную вилку из розетки.

Машина в принципе не требует специальных процедур по техническому уходу. Электроинструмент следует хранить в месте, недоступном для детей, содержать в чистоте, защищать от влаги и попадания пыли. Условия хранения должны исключать возможность механических повреждений и влияния атмосферных условий.

■ Чистка

Для обеспечения безопасной и эффективной работы, корпус шлифовальной машины и вентиляционные щели должны быть свободными от пыли и загрязнений. Рекомендуется выполнять чистку машины после каждого применения.

Шлифовальную машину протирать чистой влажной тряпкой, с небольшим количеством мыла или продуть сжатым воздухом с низким давлением.

Не применять каких-либо чистящих средств или растворителей. Они могут повредить пластмассовые элементы электроинструмента.

Необходимо следить, чтобы вовнутрь электроинструмента не попала вода.

■ Транспортировка

Машину следует транспортировать и хранить в упаковке, защищающей от влаги, проникновения пыли и мелких твёрдых объектов, особенно необходимо защитить вентиляционные отверстия. Мелкие элементы, попавшие вовнутрь корпуса, могут повредить двигатель.

НЕИСПРАВНОСТИ:

Электроинструмент не работает:

- Проверить, правильно ли присоединён кабель электропитания, проверить предохранители. Если электроинструмент невозможно

включить, необходимо отправить его в один из сервисных пунктов. Адреса сервисных пунктов указаны в гарантийной карте.

ПРОИЗВОДИТЕЛЬ:

ООО «ПРОФИКС»;
ул. Марывильска 34,
03-228 Варшава, Польша

ЗАЩИТА ОКРУЖАЮЩЕЙ СРЕДЫ:



ВНИМАНИЕ: Указанный символ означает запрет размещения использованных электроинструментов вместе с другими отходами (за это грозит наказание в виде штрафа). Опасные компоненты, имеющиеся в электрическом и электронном оборудовании, отрицательно влияют на окружающую среду и здоровье.

Домашнее хозяйство должно способствовать восстановлению и повторному использованию (рециклированию) использованного оборудования. В Польше и в Европе создаётся или уже существует система сбора использованного оборудования, предусматривающая, что все пункты продажи в/у оборудования обязаны принимать использованное оборудование. Кроме того, имеются пункты приёма в/у оборудования.

■ Описание пиктограмм, имеющихся на щитке и информационных наклейках на электроинструменте:



— «Перед подключением и началом работы необходимо прочитать инструкцию по эксплуатации»



— «Использовать средства защиты глаз»



— «Использовать средства защиты органов слуха»



— «Использовать средства защиты верхних дыхательных путей»



Политика компании PROFIX - это политика постоянного совершенствования своих изделий, и поэтому компания сохраняет за собой право изменения спецификации изделия без предварительного уведомления. Изображения, имеющиеся в инструкции, являются примерными и могут незначительно отличаться от фактического вида приобретённого электроинструмента.

Настоящая инструкция по эксплуатации защищена авторскими правами. Запрещено её копирование и размножение без согласия ООО «ПРОФИКС».

RO

INSTRUCȚII DE FOLOSIRE
MAȘINĂ DE ȘLEFUIT EXCENTRIC TMO450B
 Traducere din instrucțiunea originală



ÎNAINTE DE UTILIZARE, CITIȚI ACESTE INSTRUCȚIUNI.

Păstrează instrucțiunile pentru o folosire viitoare.



ATENȚIE! Citește toate avertismentele referitoare la protecția muncii marcate cu simboluri ⚠ și toate indicațiile referitoare la utilizarea în siguranță.

Nerespectarea avertismentelor de mai jos, poate duce la accidente și la electrocutare, incendii și/sau la vătămări corporale.

Păstrează toate avertismentele și indicațiile referitoare la protecția muncii, pentru a le folosi în viitor.

În avertismentele de mai jos, termenul "unealtă electrică" înseamnă unealtă care este alimentată de la rețea (cu cablu de alimentare) sau unealtă electrică alimentată din baterie (fără cablu).



ATENȚIE! Reguli generale de protecție a muncii.

Șiguranța la locul de muncă:

- La locul de muncă păstrează curățenie și bună iluminare. Zonele și bancurile de lucru aglomerate cheamă accidente.
- Nu utilizați unealta electrică în atmosferi explozive, formate din lichide inflamabile, gaze sau lichide. Unelata electrică produce scântei, care pot aprinde praful sau aburul.
- Țineți copiii departe de locurile în care unealta electrică este folosită. Distragerea atenției poate duce la pierderea atenției asupra uneltei electrice.



ATENȚIE! Reguli generale cu privire la utilizarea în siguranță a uneltei.

Șiguranța electrică:

- Ștecherul uneltei electrice trebuie să fie conforme cu priza. Este interzisă modificarea ștecherului. Este interzisă utilizarea prelungitoarelor în cazul uneltelor electrice cu cablu de legare la pământ de protecție. Nemodificarea ștecherelor și a prizelor micșorează riscul de electrocutare.
- Evitați să atingeți suprafața de împământare sau conectările la masă, cum ar fi conducte, radiatoare, radiatoare de încălzire centrală și frigider. În cazul atingerii părților împământate, crește riscul de electrocutare.
- Nu expuneți sculele electrice în condiții de ploaie sau mediu umed. În caz de infiltrație cu apă, crește riscul de electrocutare.
- Nu abuzați de cablurile de conectare. Nu folosiți cablul de alimentare la mutarea, tragerea uneltei sau tragerea ștecherului din priză. Păstrați cablul de alimentare departe de surse de căldură, ulei, mυχii ascuțiți sau părți în mișcare. Cablurile deteriorate sau incurcate cresc riscul de electrocutare.
- În cazul în care unealta electrică este folosită în aer liber, conectarea trebuie efectuată cu ajutorul prelungitorilor destinate funcționării în aer liber. Folosirea prelungitorului destinat funcționării în aer liber, micșorează riscul de electrocutare.
- Vă recomandăm să racordați aparatul la o rețea electrică dotată cu un comutator cu curent diferențial (RCD) cu amperaj de acțiune de 30mA sau mai mic.
- În cazul în care unealta electrică este folosită în mediu umed, este inevitabil, utilizarea unui dispozitiv de protecție împotriva tensiunii de alimentare, cum ar fi aplicarea unui

dispozitiv de curent rezidual (RCD). Folosirea RCD micșorează riscul de electrocutare.



ATENȚIE! Avertismente generale cu privire la siguranța folosirii uneltei.

Șiguranță personală:

- Acest echipament nu este destinat utilizării de către persoane (inclusiv copii) cu abilități fizice reduse, senzoriale sau mentale, sau de persoane care nu au experiență sau nu cunosc echipamentul, cu excepția cazului în care are loc sub supraveghere sau în conformitate cu instrucția de folosire a echipamentului, de către o persoană responsabilă pentru siguranța lor.
- Trebuie să fii atent, să avari grijă ce faceți și să păstrați bun simț în timpul folosirii uneltei electrice. Nu folosiți unealta electrică, când sunteți oboșiți sau sub influența drogurilor, alcoolului sau a medicamentelor. Un moment de neatenție în timpul lucrului cu unelata electrică poate cauza vătămări personale grave.
- Folosiți echipament de protecție. Purtați întotdeauna ochelari de protecție. Folosind echipamentul de protecție cum ar fi masca de praf, pantofi cu anti-alunecare, căști sau protecție auditivă, micșorați riscul de vătămare.
- Evitați pornirea accidentală. Înainte de conectarea la sursa de alimentare și/sau înainte de conectarea bateriei și înainte de ridicarea sau mutarea uneltei asigurativă că comutatorul uneltei electrice este în poziția oprită. Mutarea uneltei electrice cu degetul pe comutator sau conectarea uneltei electrice la rețeaua de alimentare în poziția pornită poate provoca un accident.
- Înainte de pornirea uneltei electrice îndepărtați toate uneltele din apropiere. Lăsarea de unelte pe părțile de mișcare ale uneltei electrice poate duce la vătămări corporale.
- Nu vă aplecați prea mult. Trebuie să stați sigur și să mențineți echilibrul. Acest lucru va permite un control mai bun asupra uneltei electrice în situații neașteptate.
- Îmbrăcați-vă coresponsător. Nu purtați haine largi sau bijuterii. Țineți părul strâns, hainele și mânușile departe de părțile în mișcare. Hainele largi, bijuteria sau părul lung se pot agra de părțile în mișcare.
- Dacă echipamentul este potrivit pentru conectarea extractorului de praf extern și a colectorului de praf, asigurați-vă că acestea sunt conectate și folosite corect. Folosirea colectorului de praf poate reduce riscul de pericole legate de prăfuit.
- Nu mitețiți ca abilitățile obținute prin utilizarea frecventă a sculei electrice să vă facă să vă simțiți prea încrezători în sine și să ignorați regulile de siguranță. Acțiunile necorespunzătoare pot provoca vătămări grave într-o fracțiune de secundă.



ATENȚIE! Avertismente generale cu privire la folosirea în siguranță a uneltei.

Utilizarea și îngrijirea uneltei electrice:

- Nu supraîncărcați unealta electrică. Utilizați o unealtă electrică în funcție de puterea necesară muncii efectuate. Unelata electrică corectă va permite o funcționare mai bună și este sigură în cazul însărcinării, pentru care a fost proiectată.
- Este interzisă utilizarea uneltei electrice dacă comutatorul

nu pornește și nu oprește unealta. Fiecare uneltă electrică care nu pornește sau nu se oprește este periculoasă și trebuie reparată.

- c) **Deconectați ștecherul de la sursa de alimentare a unelei electrice și/sau deconectați bateria înainte de orice setare, schimbare de părți sau depozitare. Aceste mijloace de protecție reduc riscul unei porniri accidentale a unelei electrice.**
- d) **Unealta electrică nefolosită trebuie depozitată departe de copii și nu trebuie împrumutată persoanelor care nu cunosc unealta electrică sau care nu au citit această instrucție de folosire a unelei electrice. Unelata electrică este periculoasă când este folosită de o persoană fără experiență.**
- e) **Unealta electrică trebuie bine întreținută. Trebuie controlată alinierea sau bruierea pieselor în mișcare, ruperea pieselor și alți factori care pot avea influență la funcționarea unelei electrice. Dacă găsim o deteriorare, unealta electrică înaintea folosirii trebuie reparată. Cauza multor accidente este întreținerea necorespunzătoare a unelei electrice.**
- f) **Unelte de tăiere trebuie să fie ascuțite și curate. Înțreținerea părților ascuțite ale uneltelor de tăiere reduce riscul de blocare în material și ușurează folosirea.**
- g) **Unealta electrică, echipamentul, unelte de lucru, etc. trebuie folosite în conformitate cu această instrucție, ținând cont de tipul și condițiile de lucru. Utilizarea unelei electrice în alt mod decât este destinația, poate duce la situații periculoase.**
- h) **La temperaturi scăzute, sau după o perioadă îndelungată de nefolosire, este recomandată pornirea unelei electrice fără sarcină pentru câteva minute pentru a distribui corect unsoarea în mecanismul de transmisie.**
- i) **Pentru curățirea unelei electrice folosiți o cârpă moale, umedă (nu udă) și săpun. Nu folosiți benzină, diluanți sau alte mijloace care pot deteriora echipamentul.**
- j) **Unealta electrică trebuie depozitată/transportată numai după ce ne-am asigurat că toate elementele în mișcare sunt blocate și asigurate cu ajutorul elementelor originale destinate blocării.**
- k) **Unealta electrică trebuie păstrată într-un loc uscat, asigurat împotriva prafului și a umezelii.**
- l) **Transportul unelei electrice trebuie să aibă loc în ambalajul original, asigurat împotriva deteriorărilor mecanice.**
- m) **Mănerul și suprafețele de prindere trebuie să fie menținute curate fără ulei și grăsime. Mănerul și suprafețele de prindere alunecoase nu permit ținerea în siguranță și controlul sculei în situații neașteptate.**



ATENȚIE! Avertismente generale cu privire la folosirea în siguranță a unelei.

Repararea:

- a) **Reparații în garanție și postgaranție ale uneltelor dumneavoastră electrice sunt efectuate de Service-ul PROFIX, ceea ce garantează calitatea cea mai ridicată a reparațiilor și utilizarea de piese originale de schimb.**



ATENȚIE!

În timpul utilizării unelei electrice se recomandă respectarea regulilor de bază ale siguranței muncii, pentru a evita incendii, electrocutarea sau vătămări mecanice.



MAȘINĂ DE ȘLEFUIT EXCENTRIC,

Indicații adiționale de siguranță pe durata șlefuirii:

- a) **Mașina de șlefuit excentric, numită mai departe «mașină de șlefuit», nu este un dispozitiv rezistent la apă, trebuie să o folosiți doar pentru șlefuiuri uscate. Pătrunderea apei în interiorul unelei electrice poate duce la electrocutare.**
- b) **Atunci când șlefuiți metale apar scântei. Trebuie să aveți grijă ca scântele care apar în timpul lucrului să nu reprezinte pericol pentru persoanele din jur și să îndepărtați toate materialele inflamabile din apropiere. Datorită scânteiilor se poate întâmpla ca praful de șlefuit să se aprindă. Acest pericol crește atunci când praful se amestecă cu restul de lac, poliuretan sau alte substanțe chimice și materialul șlefuit este fierbinte datorită prelucrării îndelungate. Datorită acestui fapt trebuie să evitați supraîncălzirea materialului șlefuit și să îndepărtați de fiecare dată praful în pauze și după ce ați terminat lucrarea.**
- c) **Locul de muncă trebuie menținut curat. Amestecurile de materiale sunt deosebit de periculoase. Praful de metal alcalin se poate aprinde sau poate exploda.**
- d) **Inhalarea prafului șlefuit dăunează sănătății. Contactul fizic direct cu praful și pătrunderea acestora în plămâni poate provoca reacții alergice și/sau boli ale sistemului respirator al operatorului sau ale persoanelor din apropiere. Unele materiale, de ex. suprafețele de vopsea cu adaos de plumb, conțin substanțe chimice care pot fi toxice. Pentru a diminua reacția acestor substanțe chimice trebuie să asigurați ventilația corespunzătoare a locului de muncă și să lucrați cu mijloace de protecție verificate de genul mască antipraf cu filtru clasa P2, care au fost special proiectate pentru filtrarea particulelor microscopice. În cazul în care este posibil folosiți aspirarea de praf.**
- e) **În timp ce lucrați cu aparatul folosiți ochelari de protecție pentru a evita prăfuirea ochilor.**
- f) **Trebuie să folosiți mijloace de protecție auditivă (căști, dopuri). Expunerea îndelungată la zgomot cu intensitate sporită poate duce la pierderea auzului.**
- g) **Trebuie să purtați mănuși de protecție și nu atingeți niciodată baza mașinii de șlefuit aflată în mișcare. Acest lucru poate duce la rămânerea mâinilor.**
- h) **Țineți puternic unealta electrică cu ambele mâini și alegeți o poziție sigură de muncă. Este mai sigur dacă mișcați unealta electrică cu ambele mâini.**
- i) **Aparatul electric trebuie pornit înainte ca lama să atingă materialul. În caz contrar există pericolul de recul, deoarece aparatul folosit se blochează în obiectul prelucrat.**
- j) **Atunci când efectuați lucrări în timpul cărora aparatul ar putea atinge cabluri electrice ascunse sau propriul cablu de alimentare, aparatul electric trebuie ținut de suprafața izolată a mânerului. Contactul cu cablul de rețea poate transmite o parte de tensiune pe piesele metalice ale aparatului iar acest lucru ar putea duce la electrocutare.**
- k) **În caz de pauză în alimentarea cu curent, de ex. după o pană de curent sau după ce ați scos ștecherul din priză, trebuie să deblocați butonul de pornire/oprire și să-l setați la poziția „oprit”. Astfel puteți preveni pornirea nedorită a unelei electrice.**
- l) **Nu este permisă utilizarea aparatului electric cu cablu de alimentare deteriorat. Nu atingeți cablul deteriorat; în cazul în care cablul se deteriorează în timp ce folosiți aparatul trebuie**

să scoateți ștecherul din priză. Cablurile deteriorate măresc riscul de electrocutare.

ATENȚIE! În cazul în care cablul de alimentare nedemontabil se deteriorează, trebuie înlocuit cu un cablu special sau cu ansamblul disponibil la producător ori într-un atelier de reparații specializat.

DESTINARE ȘI STRUCTURA MAȘINII DE ȘLEFUIT:

Mașina de șlefuit este destinată pentru șlefuitul și lustruitul uscat al suprafețelor de lemn, pe bază de lemn, de metal, de plastic și pentru a îndepărta straturile vechi de vopsea cu hârtie abrazivă cu granulozitate corespunzătoare (între 40 și 1200) și ajutății pentru lustruit cu scai.

ATENȚIE! Nu folosiți pentru azbest și pentru materiale care conțin grafit. Nu folosiți pentru gips (rostrurile din plăcile de carton-gips) și pentru materialele asemănătoare. Praful fin atunci când pătrunde în interiorul mașinii provoacă blocarea suprafeței de ventilare, ceea ce duce la supraîncălzirea și arderea motorului. Aceste lucruri atrag după sine pierderea drepturilor de garanție.

Mașina de șlefuit excentric este un aparat din a doua clasă de protecție (izolație dublă) și este acționată de un motor monofazat.

Nu folosiți unealta pentru realizarea de lucrări care necesită utilizarea de aparate profesionale.

Contractul de garanție nu se aplică atunci când aparatul a fost folosit în activități meșteșugărești, industriale sau alte activități similare.

Fiecare utilizare necorespunzătoare a mașinii de șlefuit conform descrierii de mai sus este interzisă și atrage după sine pierderea garanției și lipsa de răspundere a producătorului pentru daunele apărute în urma acestui fapt.

Structura mașinii de șlefuit este prezentată pe des. A. Toate modificările aparatului efectuate de utilizator îl privează pe producător de răspunderea pentru deteriorările și daunele efectuate față de utilizator și mediu. Utilizarea corespunzătoare a mașinii de șlefuit se referă de asemenea la întreținere, asamblare, transport și reparații.

Mașina de șlefuit poate fi reparată doar la punctele de service indicate de producător. Mașinile de șlefuit alimentare de la rețea trebuie să fie reparate doar de persoane autorizate.

În ciuda utilizării în conformitate cu destinația, nu pot fi complet eliminați anumiți factori de risc rezidual. Datorită construcției utilajului pot apărea următoarele riscuri:

- Vătămarea auditivă în cazul lipsei de protecție auditivă necesară;
- Emisii de praf de lemn dăunătoare pentru sănătate atunci când se lucrează în încăperi închise;
- Expunerea sănătății în cazul utilizării prelungite a sculei electrice. În astfel de situații, faceți pauze regulate la locul de muncă.

SET DE LIVRARE:

- Mașina de șlefuit excentric - 1 buc.
- Coală abrazivă ϕ 125 mm - 1 buc.
- Perii de cărbune - 2 buc.
- Cartea de garanție - 1 buc.
- Instrucția de folosire - 1 buc.

DESCRIERE DESENE A, B, C, D:

1. Disc pentru șlefuit
2. Mâner auxiliar
3. Buton pentru ajustarea vitezei
4. Buton de pornire/oprire
5. Mâner superior cu adaos antiglisant

6. Cablu de alimentare
7. Recipient pentru praf
8. Duză ejectare praf
9. Coală abrazivă
10. Orificii pentru aspirare praf
11. Șuruburi de fixare disc pentru șlefuit

INFORMAȚII TEHNICE:

Tensiune nominală	220-240 V
Frecvență nominală	50 Hz
Putere nominală	450 W
Viteza de rotire	0-13000/min
Suprafața abrazivă	ϕ 125 mm
Clasa echipamentului	□/II
Lungime cablu alimentare	3 m
Masă	1,9 kg
Nivelul presiuni acustice (LpA)	78 dB(A), \pm 3dB(A)
Nivelul puterii acustice (LwA)	89 dB(A), \pm 3dB(A)
Vibrațiile medii pentru ambele mâner cf. EN 62841-2-4 (incertitudine K=1,5 m/s ²)	4,787 m/s ²

Nivelul menționat de vibrații este reprezentativ pentru utilizarea aparatului electric. Dacă aparatul electric va fi utilizat pentru alte scopuri sau cu alte instrumente de lucru precum și dacă nu va fi întreținut corespunzător, nivelul de vibrații ar putea diferi de cel indicat. Motivele indicate mai sus pot duce la sporirea nivelului de expunere la vibrații pe toată durata timpului de funcționare.

Trebuie să introduceți mijloace adiționale de siguranță, care au scopul de a proteja operatorul de efectele de expunere la vibrații, de ex.: întreținere aparat electric și instrumente de lucru, asigurarea temperaturii corespunzătoare a mâinilor, stabilirea ordinii operațiilor de muncă.

Valoarea totală declarată a vibrațiilor și valorile declarate ale emisiilor de zgomot au fost măsurate în conformitate cu metoda standard de testare și pot fi utilizate pentru a compara un dispozitiv cu altul.

Valoarea totală declarată a vibrațiilor și valorile declarate ale emisiilor de zgomot pot fi utilizate în evaluarea inițială a expunerii.

Avertismente:

Vibrațiile și emisiile de zgomot în timpul utilizării efective a sculei electrice pot să difere de valorile declarate în funcție de modul în care sunt utilizate unelele, în special de tipul piesei prelucrate.

Trebuie determinate măsuri de siguranță pentru protejarea operatorului, care se bazează pe estimarea expunerii în starea reală de utilizare (luând în considerare toate părțile ciclului de operare, cum ar fi timpul în care instrumentul este oprit și când funcționează în ralanti, cu excepția timpului de declanșare).

ÎNAINTE DE A ÎNCEPE LUCRUL:

- Asigurați-vă că sursa de alimentare are parametrii corespunzători parametrilor mașinii de șlefuit indicați pe plăcuța nominală.
- Asigurați-vă că butonul de pornire/oprire al mașinii oscilatorii de șlefuit se află la poziția „oprit”.
- În cazul în care lucrați cu un prelungitor trebuie să vă asigurați că

parametrii prelungitorului, secțiunile conductorilor, corespund parametrilor mașinii de șlefuit. Vă recomandăm să folosiți prelungitoare cât mai scurte. Cablul prelungitorului trebuie să fie întins în întregime.

ATENȚIE: *Atunci când șlefuiți trebuie să folosiți mijloace de protecție pentru protejarea căilor respiratorii superioare (măști antipraf).*

- Din motive de sănătate trebuie să folosiți de asemenea în timpul lucrului recipient pentru praf (7) sau aspirator industrial ca sistem de îndepărtare praf. Țeava de aspirare a aspiratorului trebuie conectată direct la duza de aspirare a prafului (8) din mașina de șlefuit (vezi des. B).
- Atunci când șlefuiți suprafețe lăcuite trebuie să păstrați măsuri deosebite de siguranță. Unele lacuri conțin substanțe dăunătoare, de asemenea din acest motiv trebuie să îndepărtați praful într-un mod sigur pentru mediu.
- Atunci când șlefuiți suprafețe acoperite cu substanțe ce conțin compuși de plumb trebuie să purtați măști de protecție care absorb vaporii de plumb. Accesul copiilor și al femeilor însărcinate este interzis la locul de muncă. Consumul de alimente și de băutură la locul de muncă este interzis.
- Nu folosiți niciodată mașina de șlefuit pentru șlefuirea suprafețelor de magnez.

MONTARE:

ATENȚIE! *Înainte de a efectua orice operațiuni la unealta electrică trebuie să scoateți ștecherul din priză.*

■ Schimbare hârtie abrazivă (vezi des. C)

Înainte de a introduce hârtie abrazivă nouă trebuie să curățați discul pentru șlefuit (1) de mizerie și de praf, în acest scop folosiți de ex. o pensulă.

Suprafața discului pentru șlefuit (1) este fabricată din țesătură pentru fixare cu scai, astfel încât fixarea colilor de zărtie abrazivă cu scai să fie cât mai rapidă și mai ușoară.

Aplicați noua coală de hârtie abrazivă (9) pe discul pentru șlefuit (1) și strângeți ferm pe toată suprafața.

Pentru a asigura extragerea optimă a prafului trebuie să aveți grijă ca orificiile din hârtia abrazivă să se potrivească cu orificiile pentru extragere praf (10) de pe discul de șlefuit.

■ Montare recipient pentru praf (vezi des. B)

Montați sacul pentru praf (7) pe duza de evacuare a prafului (8) până la maximum.

Pentru a obține cele mai bune rezultate trebuie să goliți sistemul încorporat de extragere praf după fiecare 5-10 minute de lucru.

Pentru a goli recipientul pentru praf trebuie să-l scoateți din duză și să-l loviți ușor de o suprafață dură astfel încât praful să se dezlipască de pereți. Goliți recipientul prin orificiul de introducere. Îndepărtați restul de praf din recipient.

■ Schimbare disc pentru șlefuit (vezi des. D)

ATENȚIE: *Discul deteriorat pentru șlefuit (1) trebuie schimbat imediat.*

Dați jos hârtia abrazivă sau ajutorul pentru lustruit.

Folosiți șurubelnița PH2 pentru a desfileta complet cele 4 șuruburi de fixare (11) și scoateți discul pentru șlefuit (1). Așezați un nou disc pentru șlefuit și strângeți puternic cu șuruburi.

Sitele de filtrare ale recipientului trebuie curățate cu o pensulă moale.

OPERARE:

■ Pornire/oprire (vezi des. E)

- Pentru a porni mașina de șlefuit, trebuie să glišați comutatorul pornit/oprit (4) în față.
- Pentru a opri mașina de șlefuit, glišați comutatorul pornit/oprit (4) înapoi, spre spate.

■ Ajustare turație

Aparatul este dotat cu un sistem electronic de control, care permite ajustarea turației în funcție de materialul prelucrat.

Butonul de ajustare a frecvenței (2) poate fi ajustat în intervalul între 1 (cea mai scăzută frecvență de vibrații, de ex. la șlefuirea suprafețelor termosensibile) și MAX (cea mai ridicată frecvență de vibrații). Turația necesară depinde de tipul de material și de condițiile de lucru – puteți să o selectați doar în urma prin probe.

■ Șlefuire

Așezați obiectul de prelucrat pe o suprafață stabilă sau prindeți-l cu menghina. Porniți aparatul.

Mișcați suprafața de șlefuit a mașinii de șlefuit cu mișcări eliptice mici pe suprafața obiectului de prelucrat. Nu apăsați adițional, masa proprie a aparatului este suficientă. Apăsarea adițională a aparatului pe materialul prelucrat nu duce la creșterea eficacității de șlefuire ci la la uzura rapidă a aparatului și a hârtiei abrazive.

Efectuați o serie de activități de șlefuire cu coli de șlefuit cu granulozitate în scădere.

ATENȚIE: *Numai colile de șlefuit care sunt în stare tehnică excelentă vă oferă garanția eficacității bune de prelucrare și previn deteriorarea unelei electrice.*

■ Lustruire

Pentru a lustrui lacul fără expresie și pentru a îndepărta zgărieturile (de ex. de pe sticla acrilică) aparatul poate fi dotat cu uneltele corespunzătoare de șlefuit cu scai, cum ar fi discurile din lână de miel, păslă pentru lustruit sau burete pentru lustruit (echipamentul descris nu face parte din dotarea standard).

Pentru lustruire selectați o turație scăzută (nivelul 1), pentru a preveni încălzirea excesivă a suprafețelor.

Aplicați unealta de lustruit conform instrucțiunilor producătorului.

Lustruiți conform instrucțiunilor atașate la mijlocul de lustruit cu mișcări longitudinale și laterale sau în formă de cerc.

Trebuie să curățați în mod regulat uneltele pentru lustruire, pentru a asigura rezultate bune de lustruire. Spălați uneltele de lustruit cu un detergent delicat și apă caldă. Nu folosiți diluanți.

DEPOZITARE ȘI MENȚENANȚĂ:



ATENȚIONARE:

Înainte de toate operațiile de întreținere trebuie să scoateți ștecherul din priză.

Unealta nu necesită o întreținere specială. Unealta trebuie depozitată într-un loc uscat, nu la îndemâna copiilor, trebuie menținută curată, protejată de umezeală și praf. Condițiile de depozitare trebuiesc să elimine posibilitatea de deteriorare mecanică sau efectele nocive ale diferitelor condiții atmosferice.

■ Curățare

Pentru a asigura funcționarea în condiții de siguranță și eficientă, carcasa mașinii de șlefuit și orificiile de ventilație trebuie să fie, în măsura

posibilităților, libere de praf și de impurități. Se recomandă curățarea aparatului imediat după fiecare utilizare.

Ștergeți mașina de șlefuit cu o pânză curată și umedă, cu o cantitate mică de săpun, sau suflați cu aer comprimat cu presiune mică.

Nu folosiți detergenți sau diluanți; aceste substanțe pot deteriora piesele aparatului efectuate din plastic.

Aveți grijă ca în aparat să nu pătrundă apa.

■ Transport

Aparatul trebuie transportat și depozitat în cutia de transport care protejează aparatul de umiditate, accesul prafului și a altor obiecte de dimensiuni mici, iar în special trebuie protejate orificiile de ventilație. Particulele mici care intră în carcasă pot deteriora motorul.

DEFECTUNI TIPICE ȘI ÎNDEPĂRTAREA ACESTORA:

Aparatul nu funcționează:

- Verificați cablul de alimentare pentru a observa dacă este cuplat corespunzător și verificați siguranțele. În cazul în care unealta electrică nu poate fi pornită, trebuie să o trimiteți la unul dintre punctele de service. Adresele sunt indicate în fișa de garanție.

PRODUCĂTOR:

PROFIX Sp. z o.o.,
str. Marywilska 34,
03-228 Varșovia, POLONIA

PROTECȚIA MEDIULUI ÎNCONJURĂTOR:



ATENȚIE: Simbolul prezentat înseamnă interdicția de a amplasa aparatul uzat împreună cu alte deșeuri (sub amenințarea unei amenzi). Componentele periculoase aflate în aparatul electric și electronic influențează negativ mediul natural și sănătatea oamenilor.

Fiecare gospodărie casnică trebuie să contribuie la redobândirea și refolosirea (recykling) aparatului uzat. Atât în Polonia, cât și în Europa se organizează sau deja există sistemul de culegere a aparatului uzat, în cadrul căruia toate punctele de vânzare a respectivei aparaturi sunt obligate să preia aparatul uzat. În plus, există centrele de colectare a acestuia tip de aparatură.

■ Explicații ale desenelor de pe tabelul nominal:



— «Înainte de cuplare și de a începe operarea trebuie să citiți prezenta instrucțiune»



— «Folosiți întotdeauna ochelari de protecție»



— «Folosiți mijloace de protecție auditivă»



— «Folosiți întotdeauna măști de praf»



Politica firmei PROFIX este aceea de perfecționare continuă a produselor sale și de aceea firma își rezervă dreptul de modificare a specificației produsului fără înștiințarea anterioară. Imaginile indicate în instrucțiunile de utilizare sunt doar exemple și se pot diferi puțin de aspectul real al dispozitivului achiziționat.

Prezenta instrucțiune este protejată prin dreptul de autor. Copierea/inmulțirea fără acordul în scris al firmei PROFIX Sp. z.o.o. este interzisă.



LIETOŠANAS INSTRUKCIJA EKSCENTRA SLĪPMAŠĪNA TMO450B


Oriģinālās instrukcijas tulkojums



PIRMS DARBA SĀKUMA NEPIECIEŠAMS IEPAZĪTIES AR ŠO INSTRUKCIJU.

Saglabā instrukciju varbūtējai turpmākai lietošanai.



BRĪDINĀJUMS! Nepieciešams izlasīt visus brīdinājumus apzīmētus ar simboliem , kuri attiecas uz lietošanas drošību un visus lietošanas drošības norādījumus.

Neievērojot zemāk uzrādītos drošības brīdinājumus un norādījumus attiecībā uz drošību var būt par elektriskās strāvas triecienu, ugunsgrēku un/vai nopietnu traumu iemeslu.

Ievērot visus brīdinājumus un norādījumus attiecībā uz drošību, lai tos turpmāk varētu izmantot.

Zemāk uzrādītos brīdinājumus „elektroinstruments” nozīmē elektroinstrumentu, kurš tiek barots no elektriskā tīkla (ar barošanas vadu) vai elektroinstruments barots no akumulatora (bezvadu).



BRĪDINĀJUMS! Vispārējie instrumenta drošas lietošanu norādījumi.

Darba vietas drošība:

- Darba vietā nepieciešams uzturēt kārtību un labu apgaismojumu. Nekārtība un slikts pagaisojums ir negadījumu iemesls.
- Nedrīkst lietot elektroinstrumentu sprāgstošā, viegli uzliesmojošā, gāzu un putekļainā vidē. Elektroinstrumenta darbības laikā rodas dzirksteles, no kurām var aizdegties putekļi un tvaiki.
- Vietā, kur tiek lietoti elektroinstrumenti nevar atrasties bērni un novērotāji. Novēršot uzmanību var zaudēt kontroli par elektroinstrumentu.



BRĪDINĀJUMS! Vispārējie instrumenta drošas lietošanu norādījumi.

Elektriskā drošība:

- Elektroinstrumenta kontaktdakšīnām jābūt pielāgotām pie kontaktligzdām. Nekad nekādā gadījumā nedrīkst mainīt kontaktdakšīņu. Nedrīkst lietot nekādus pagarinātājus gadījumā, ja elektroinstruments ir apgādāts ar vadu ar aizsardzības iezemējuma dzislu. Ja netiek darītas kontaktdakšīņu un kontaktligzdu izmaiņas, tas samazina elektriskā triecienu risku.
- Nepieciešams izvairīties no iezemētām virsmām vai savienotām ar masu, kā piemēram caurules, sildītāji, centrālāpkures radiatoru un dzesinātāji. Gadījumā, ja notiek kontakts ar iezemētām vai ar masu savienotām daļām pieaug elektriskās strāvas triecienu risks.
- Nedrīkst pakļaut elektroinstrumentus uz lietus vai mitruma iedarbību. Gadījumā, ja elektroinstrumentā iekļūst ūdens pieaug elektriskās strāvas triecienu risks.
- Nedrīkst pārslogot savienojuma vadus. Nekad nedrīkst lietot savienojuma vadu elektroinstrumenta pārnēsāšanai, vilkšanai vai izvilkot kontaktdakšīņu no kontaktligzdas aiz vada. Nepieciešams turēt savienojuma vadu tālu no siltuma avotiem, eļļainām, asām šķautnēm vai kustīgām daļām. Bojāti

vai sapīti savienojuma vadi palielina elektriskās strāvas triecienu risku.

- Gadījumā, ja elektroinstruments tiek lietots ārpusē, savienojuma vadus nepieciešams pagarināt ar pagarinātājiem, kuri ir piemēroti darbam ārpusē. Lietojot pagarinātājus piemērotus darbam ārpusē samazinās elektriskās strāvas triecienu risks.
- Ieteicams ierīci pievienot pie elektriskā tīkla, kurš ir aprīkots ar RCD slēdzi ar 30mA vai mazāku izslēgšanas strāvu.
- Gadījumā, ja ir nepieciešamība lietot elektroinstrumentu mitrā vidē, par sprieguma aizsardzību nepieciešams lietot strāvas starpības ierīci (RCD). Lietojot RCD samazinās elektriskās strāvas triecienu risks.



BRĪDINĀJUMS! Vispārējie instrumenta drošas lietošanu norādījumi.

Individuālā drošība:

- Šī ierīce nav piemērota lietot cilvēkiem (tai skaitā bērniem) ar ierobežotām fiziskām, jūtības un psihiskām spējām, vai cilvēkiem bez ierīces darbības pieredzes vai zināšanām, izņemot, ja tas notiek uzraudzībā vai saskaņā ar ierīces lietošanas instrukciju, ar kuru ir iepazinūšas par drošību atbildīgas personas.
- Elektroinstrumenta lietošanas laikā nepieciešams būt tālredzīgiem, novērot kas notiek un saglabāt skaidru saprāti. Nedrīkst lietot elektroinstrumentu noguruma laikā vai narkotisku vielu, alkohola vai zāļu iedarbībā. Neuzmanības mirklis strādājot ar elektroinstrumentu var radīt nopietnas ķermeņa traumas.
- Nepieciešams lietot individuālos aizsardzības līdzekļus. Vienmēr nepieciešams lietot aizsargbrilles. Lietojot attiecīgos apstākļos aizsardzības līdzekļus, tādus kā putekļu maskas, neslidošus apavus, ķiveres vai dzirdes aizsardzības līdzekļus, samazināsies individuālās traumas.
- Nepieciešams izvairīties no neparedzētām kustībām. Pirms pieslēgšanas pie barošanas avota un/vai pirms akumulatora pieslēgšanas kā arī pirms tam, kad paceļam vai pārceļam ierīci nepieciešams pārliecināties, ka elektroinstrumenta slēdzis atrodas izslēgšanas stāvoklī. Pārnēsāt elektroinstrumentu ar pirkstu uz slēdža vai barošanas tīkla pieslēgtu elektroinstrumentu pie ieslēgta slēdža var būt par negadījuma iemeslu.
- Pirms elektroinstrumenta palaišanas nepieciešams novākt visas atslēgas. Atslēga atstāta rotējošā elektroinstrumenta tuvumā var radīt individuālas traumas.
- Nedrīkst pārlieku tālu izlikties. Visu laiku nepieciešams stāvēt stabili un saglabāt līdzsvaru. Tas dos iespēju neparedzētās situācijās labāk kontrolēt elektroinstrumentu.
- Nepieciešams attiecīgi ģērbties. Nedrīkst nēsāt vaļīgus apģērbus vai rotas lietas. Nepieciešams turēt savus matus, apģērbu un cimdus tālu no kustīgām daļām. Vaļīgs apģērbs, rotas lietas vai gari mati var tikt aizķerti ar kustīgām daļām.
- Ja ierīce ir pielāgota ārējai putekļu sūkšanai un putekļu uzsūkšanai, nepieciešams pārliecināties, ka tie ir pieslēgti un pareizi lietoti. Lietojot putekļu sūcēju var samazināt putekļu

ieļpošanas bīstamību.

- i) Nedrīkst pieļaut, lai iemaņas iegūtas bieži lietojot elektroinstrumentu samazinātu mūsu modrību un drošības noteikumu ignorēšanu. Bezrūpīga rīcība var izraisīt nopietnus ievainojumus sekundes laikā.



BRĪDINĀJUMS Vispārējie instrumenta drošas lietošanu norādījumi.

Lietošana un gādība par elektroinstrumentu:

- a) **Nedrīkst pārslēgt elektroinstrumentu. Nepieciešams piemērot elektroinstrumentu veiktajam darbam.** Pareizs elektroinstrumenta nodrošinās labāku un drošāku darbu pie slodzes, kādam tas tika projektēts.
- b) **Nedrīkst lietot elektroinstrumentu, ja slēdzis to neieslēdz un neizslēdz.** Katrs elektroinstrumenta, kuru nevar ieslēgt vai izslēgt ar slēdzi ir bīstams un to nepieciešams labot.
- c) **Nepieciešams atvienot elektroinstrumenta kontaktdakšīņu no barošanas avota un/vai atslēgt akumulatoru pirms tiek veikta jebkāda uzstādīšana, detaļu maiņa vai instrumenta glabāšana.** Tādas drošības darbības reducē neparedzētu elektroinstrumenta palaišanu.
- d) **Nelietotu elektroinstrumentu nepieciešams glabāt bērniem nepieejamās vietās un nedrīkst atļaut personām, kuras nav iepazinušas ar elektroinstrumentu vai šo lietošanas instrukciju lietot elektroinstrumentu.** Elektroinstrumenti ir bīstami neapmācītu lietotāju rokās.
- e) **Elektroinstrumentu nepieciešams konservēt.** Nepieciešams pārbaudīt asu sakrītību vai kustīgo daļu iekļūšanas, detaļu plīsumus un visus apstākļus, kuri varētu ietekmēt elektroinstrumenta darbu. Ja tiek konstatēts bojājums, elektroinstrumentu pirms lietošanas nepieciešams salabot. Daudzu negadījumu iemesls ir nepareiza elektroinstrumenta konservācija.
- f) **Griezējinstrumentiem jābūt asiem un tīriem.** Attiecīgi uzturēti asi griezējinstrumenta asmeņi samazina iekļūšanās iespējas un atvieglo apkalpošanu.
- g) **Elektroinstrumentu, aprikojumu, darba instrumentus un tml. nepieciešams lietot saskaņā ar šo instrukciju, ņemot vērā darba apstākļus un veicamo darbu.** Lietot elektroinstrumentu tam neparedzētā veidā var novest pie bīstamām situācijām.
- h) **Zemās temperatūrās vai pēc ilgāka nelietošanas laika, ieteicams uz pāris minūtēm ieslēgt elektroinstrumentu bez slodzes, lai piedziņas mehānismā sāktu pareizi darboties smēreļļā.**
- i) **Elektroinstrumentu tīrīšanai lietot mikstu, mitru (ne slapju) drānu un ziepes.** Nelietot benzīnu, šķīdinātājus un citus līdzekļus, kuri varētu sabojāt ierīci.
- j) **Elektroinstrumentu nepieciešams glabāt / transportēt iepriekš pārliecinoties, ka visas kustīgās daļas ir nobloķētas un nodrošinātas pret atbloķēšanu ar oriģināliem šim nolūkam paredzētiem elementiem.**
- k) **Elektroinstrumentu nepieciešams glabāt sausā, no putekļiem un mitruma sargātā vietā.**
- l) **Elektroinstrumenta transportēšanu jāveic oriģinālā iepakojumā, kurš pasargā no mehāniskiem bojājumiem.**
- m) **Rokturus un satveršanas virsmas nepieciešams uzturēt tīras, bez eļļas un smēres.** Neparedzētās situācijās slideni rokturi un satveršanas virsmas nedod iespēju droši turēt un kontrolēt instrumentu.



BRĪDINĀJUMS! Vispārējie instrumenta drošas lietošanu norādījumi.

Remonts:

- a) **Savu elektroinstrumentu garantijas un pēcgarantijas remontus veic PROFIX serviss, kas garantē visaugstāko remontu kvalitāti kā arī tiek izmantotas oriģinālas rezerves daļas.**



BRĪDINĀJUMS!

Darba laikā ar elektrisko instrumentu ieteicams vienmēr ievērot galvenos drošības principus, lai izvairītos no ugunsgrēka, elektriskās strāvas trieciena vai mehāniskām traumām.



EKSCENTRA SLĪPMAŠĪNA

Papildus drošības nosacījumi slīpēšanas laikā:

- a) **Ekscentra slīpmašīna, turpmāk saukta par «slīpmašīna», nav ūdens izturīga ierīce, to nepieciešams lietot tikai sausai slīpēšanai.** Ūdens iekļūstot elektroinstrumentā var radīt elektriskās strāvas triecienu.
- b) **Slīpjot metālu rodas dzirksteles. Nepieciešams parūpēties par to, lai darba laikā radušās dzirksteles nevienam neradītu bīstamību kā arī novākt visus tuvumā esošos viegli uzliesmojošus priekšmetus.** Dzirktēju iedarbībā var notikt slīpēšanas putekļu pašaiždegšanās. Paaugstināta bīstamība pastāv, kad tādi putekļi sajaucas ar krāsas, poliuretāna vai citu ķīmisku materiālu paliekā, un slīpējamais materiāls pēc ilgās slīpēšanas ir sakarsēts. Sakarā ar to nepieciešams izvairīties no slīpējamā materiāla un slīpmašīnas pārkarsēšanas kā arī vienmēr darba pārtraukumā un pēc darba beigām notīrīt putekļus.
- c) **Darba vietu nepieciešams uzturēt tīrībā.** Materiālu maisījumi ir īpaši bīstami. Vieglo metālu putekļi var aizdegties vai eksplodēt.
- d) **Ielopot slīpēšanas putekļus ir kaitīgi veselībai.** Tiešs fizisks kontakts ar putekļiem vai to iekļūšana plaušās var radīt alerģisku reakciju un/vai operatora vai tuvumā esošo cilvēku ieļpošanas orgānu slimības. Atsevišķi materiāli piem. krāsas ar svina saturu satur ķīmiskas substances, kuras var būt toksiskas. Šo ķīmisko savienojumu iedarbības samazināšanai vienmēr nepieciešams rūpēties par labu darba vietas ventilāciju un strādāt drošos, pārbaudītos individuālās aizsardzības līdzekļos, tādos kā putekļu maska ar P2 klases uztvērēju, kura ir projektēta speciāli mikroskopisko daļiņu filtrēšanai. Ja tas ir iespējams nepieciešams lietot putekļu sūcēju.
- e) **Darba laikā vienmēr nepieciešams lietot aizsargbrilles, lai novērstu putekļu iekļūšanu acīs.**
- f) **Nepieciešams lietot dzirdes aizsardzības līdzekļus (ausiņas, asu aizbāzņus).** Ilglaicīga augstas intensitātes trokšņa iedarbība var radīt dzirdes zaudēšanu.
- g) **Nepieciešams lietot aizsargcimdus un nekad nedrīkst pieskarties pie kustībā esošās slīpmašīnas pamatnes.** Tas draud ar delnas ievainojumu.
- h) **Elektroinstrumentu darba laikā nepieciešams turēt stipri ar abām rokām un nodrošināt drošu darba stāju.** Elektroinstrumentu ir drošāk vadīt turēt abas rokas.
- i) **Apstrādājamo priekšmetu nepieciešams nostiprināt.** Nostiprināt apstrādājamo priekšmetu stiprināšanas ierīcē vai skrūvspilvēs ir drošāk nekā turēt rokās.
- j) **Veicot darbus, kur darba instruments varētu trāpīt uz**

slēptiem elektriskiem vadiem vai paša barošanas vadu, elektroinstrumentu nepieciešams turēt pie izolētas roktura virsmas. Kontakts ar barošanas tīkla vadu var radīt sprieguma pārvešanu uz elektroinstrumenta metāla daļu, kas var radīt elektriskās strāvas triecienu.

- k) Gadījumā, ja notiek barošanas pārtraukšana, piem. strāvas avārija vai kontaktdakšīņa tiek izņemta no kontaktlīdždas, nepieciešams atbloķēt ieslēgšanas/izslēgšanas slēdzi un novietot to izslēgšanas stāvoklī. Šādā veidā var izvairīties no negaidītas elektroinstrumenta ieslēgšanas.
- l) Nedrīkst lietot elektroinstrumentu ar bojātu barošanas vadu. Nedrīkst pieskarties pie bojāta vada. Gadījumā, ja vads tiek bojāts darba laikā, nepieciešams izvilkt kontaktdakšīņu no kontaktlīdždas. Bojāti vadi palielina elektriskās strāvas trieciena risku.

UZMANĪBU! Ja neatvienojamais barošanas vads tiek bojāts, to nepieciešams aizvienot ar speciālu vadu vai komplektu, kurš pieejams pie ražotāja vai specializētā remonta darbnīcā.

SLĪPMAŠĪNAS PIELIETOJUMS UN UZBŪVE:

Slīpmašīna paredzēta sausai koka, kokveidīgu, metāla, plastmasas virsmu slīpēšanai un pulēšanai un veco krāsas kārtu noņemšanai ar atbilstošas graudainības (no 40 līdz 1200) smilšpapīra palīdzību un saķeramie pulēšanas uzliktņiem.

UZMANĪBU! Nelietot azbestam un grafitu saturošiem materiāliem. Nelietot ģipsim (ģipša -kartona plāksņu šuves) un tamlīdzīgiem materiāliem. Smalkie putekļi iekļūstot mašīnas iekšpusē rada ventilācijas telpas bloķēšanu, kas noved līdz pārkarsēšanai un dzinēja sadegšanai. Tā rezultātā tiek zaudētas garantijas tiesības.

Ekscentra slīpmašīna ir otrās aizsardzības klases ierīce (dubultā izolācija) un tiek piedzīta ar vienfāzes dzinēju.

Nedrīkst lietot instrumentu veicot darbus, kur nepieciešams lietot profesionālas ierīces.

Garantijas līgums nav spēkā, kad ierīce tika lietota amatnieku, rūpniecības vai līdzīgu saimniecības darbību darbnīcās.

Katra slīpmašīnas lietošana neatbilstoši augstāk uzrādītajam pielietojumam ir aizliegta un rada garantijas zaudēšanu kā arī ražotājs neatbild par šādā veidā radītiem zaudējumiem.

Slīpmašīnas uzbūve parādīta zīm. A. Jebkāda ierīces modifikācija, kuru veic lietotājs atbrīvo ražotāju no atbildības par lietotājam un apkārtējiem radītiem bojājumiem un zaudējumiem. Pareiza slīpmašīnas lietošana attiecas arī uz konservāciju, glabāšanu, transportu un remontu.

Slīpmašīnu drīkst remontēt tikai ražotāja uzrādītos servisa punktos. Slīpmašīnas ar tīkla barošanu drīkst remontēt tikai pilnvarotas personas.

Neskatoties uz paredzēto lietojumu, nevar pilnībā novērst dažus atlikušos riska faktorus. Ņemot vērā mašīnas konstrukciju un uzbūvi var rasties sekojošas bīstamības:

- dzirdes bojājumi, ja lietoti dzirdes aizsardzības līdzekļi;
- veselībai kaitīgu koksnes putekļu emisija strādājot slēgtās telpās;
- iedarbība uz veselību ilgstoši izmantojot elektroinstrumentus. Šādās situācijās veiciet regulārus pārtraukumus darbā.

KOMPLEKTĀCIJA:

- Ekscentra slīpmašīna - 1gab.
- Smilšpapīrs formāts \varnothing 125 mm - 1gab.

- Ogļišu sukuks - 2 gab.
- Garantijas karte - 1 gab.
- Lietošanas instrukcija - 1 gab.

ZĪMĒJUMU APRAKSTS A, B, C, D:

1. Slīpēšanas šķīvīvis
2. Paliņrokturis
3. Ātruma regulators
4. Slēdzis
5. Galvenais rokturis ar pret slīdēšanas uzliktni
6. Barošanas vads
7. Putekļu tvertne
8. Putekļu izvadišanas sprausla
9. Smilšpapīrs
10. Putekļu uzsūkšanas atveres
11. Slīpēšanas šķīvja stiprināšanas skrūves

TEHNISKIE DATI:

Barošanas spriegums	220-240 V
Barošanas frekvence	50 Hz
Nominālā jauda	450 W
Griešanās ātrums	0-13000/min
Slīpēšanas virsma	\varnothing 125 mm
Ierīces klase	□/II
Barošanas vada garums	3 m
Svars	1,9 kg
Akustiskā spiediena līmenis (LpA)	78 dB(A), \pm 3dB(A)
Akustiskās jaudas līmenis (LwA)	89 dB(A), \pm 3dB(A)
Abu rokturu vidējā vibrācija atbilstoši: EN 62841-2-4 (mērijumu izkliede $K=1,5 \text{ m/s}^2$)	4,787 m/s^2

Uzrādītais vibrācijas līmenis ir reprezentatīvs elektroinstrumenta pamata lietošanai. Ja elektroinstrumenti tiek lietoti citos nolūkos vai ar citiem darba instrumentiem, vai arī ja nebūs pietiekami konservēti, vibrācijas līmenis var atšķirties no uzrādītā. Augstāk uzrādītie iemesli var radīt vibrācijas ekspozīcijas palielināšanos visā darba laikā.

Nepieciešams realizēt papildus drošības līdzekļus, kuri pasargās operatoru no vibrācijas ekspozīcijas, piem.: Elektroinstrumenta un darba instrumenta konservācija, atbilstošas roku temperatūras nodrošināšana, darba operāciju veikšanas secības noteikšana.

Deklarētās kopējās vibrācijas vērtības un deklarētās trokšņa emisijas vērtības ir mērītas saskaņā ar standarta testa metodi, un tās var izmantot, lai savā starpā salīdzinātu instrumentus.

Sākotnējam iedarbības novērtējumam var izmantot deklarētās kopējās vibrācijas vērtības un deklarētās trokšņa emisijas vērtības.

Bridinājumi:

Vibrācijas un trokšņa emisija elektroinstrumenta faktiskā lietošanas laikā var atšķirties no deklarētajām vērtībām atkarībā no tā, kā tiek izmantots instruments un kāds materiāls tiek apstrādāts.

Operatora aizsardzībai nepieciešams notiek drošības līdzekļus, kuri

pamatojas uz iedarbības novērtējumu faktiskajā lietošanas laikā (ņemot vērā visas operatīvā cikla darbības daļas, kā piemēram laiku, kurā instruments ir izslēgts un kad strādā tukšgaitā, izņemot sprūda laiku).

PIRMS DARBA SĀKUMA:

- Pārlicināties, ka barošanas avota parametri atbilst parametriem uzrādītiem uz slīpmašīnas plāksnītes.
- Pārlicināties, ka slīpmašīnas slēdzis atrodas izslēgšanas stāvoklī.
- Strādājot ar pagarinātāju nepieciešams pārlicināties, ka pagarinātāja parametri, vadu šķērs griezumam atbilst slīpmašīnas parametriem. Ieteicams lietot pēc iespējas īsus pagarinātājus. Pagarinātājam jābūt pilnībā attītam.

UZMANĪBU: *Slīpjot nepieciešams lietot elpošanas ceļu aizsardzības līdzekļus (putekļu maskas).*

- Veselības nolūkos vienmēr arī darba laikā nepieciešams lietot putekļu tvertne (7) vai rūpniecības putekļu sūcēju kā putekļu uzsūkšanas sistēmu. Putekļu sūcēja cauruli nepieciešams pievienot tieši pie slīpmašīnas putekļu novadišanas sprauslas (8) (skat. zīm. B).
- Slīpjot lakotas virsmas nepieciešams ievērot sevišķu uzmanību. Dažas lakas satur kaitīgas vielas, tāpēc putekļus nepieciešams tīrīt videi drošā veidā.
- Slīpjot virsmas pārklātas ar krāsām, kuras satur svina savienojumus nepieciešams lietot svina tvaikus filtrējošas maskas. Darba vietā nedrīkst atrasties bērni un grūtnieces. Darba vietā nedrīkst lietot partikas produktus un dzert.
- Nekad nelietot mašīnu magnētisku virsmu slīpēšanai.

MONTĀŽA:

UZMANĪBU! *Pirms visiem elektroinstrumenta apkalpošanas darbiem no kontaktligzdas nepieciešams izņemt kontaktdakšīņu.*

■ Smilšpapīra maiņa (skat. zīm. C)

Pirms jauna slīpēšanas papīra uzlikšanas, nepieciešams attīrīt slīpēšanas šķīvi (1) no netīrumiem un putekļiem, šim nolūkam lietojot, piem. otīņu. Slīpēšanas šķīvja (1) virsma ir izgatavota auduma un saķeroša stiprinājuma, lai būtu iespējams ātri un viegli saķerošā stiprinājumā piestiprināt smilšpapīra gabalu.

Uzlikt smilšpapīra gabalu (9) uz slīpēšanas šķīvja (1) apakšu un stipri piespiest pa visu virsmu.

Lai nodrošinātu optimālu putekļu sūkšanu, nepieciešams pievērst uzmanību uz to, lai caurumi smilšpapīrā sakristu ar putekļu sūkšanas caurumiem (10) slīpēšanas šķīvi.

■ Putekļu tvertnes montāža (skat. zīm. B)

Uzlikt putekļu tvertni (7) uz putekļu izvadišanas sprauslu (8) līdz atdurei. Iebūvētās putekļu sūkšanas sistēmas vislabākās darbības iegūšanai nepieciešams iztukšot putekļu tvertni pēc katras 5-10 minūšu darbības. Putekļu tvertnes iztukšošanai nepieciešams novilkt to no sprauslas un viegli uzstāt ar to pa cietu virsmu, lai no sienīņām notiktu putekļu atdalīšanās. Tvertni iztukšot caur uzmaukšanas caurumu.

Tvertnes filtrējošo tīkliņu nepieciešams tīrīt ar mikstas otīņas palīdzību.

■ Slīpēšanas šķīvja maiņa (skat. zīm. D)

UZMANĪBU: *Bojātu slīpēšanas šķīvi (1) nepieciešams nekavējoties apmainīt.*

Ņemot smilšpapīru vai pulēšanas uzliktni.

Ar skrūvgrieža PH2 palīdzību pilnīgi izskrūvēt 4 stiprināšanas skrūves

(11) un ņemt slīpēšanas šķīvi (1). Uzlikt jaunu slīpēšanas šķīvi un stipri pieskrūvēt ar skrūvēm.

DARBS:

■ Ieslēgšana/Izslēgšana

- Slīpmašīnu ieslēdz pārvietot ieslēgšanas/izslēgšanas slēdzi (4) uz priekšu.
- Slīpmašīnu izslēdz pārvietot ieslēgšanas/izslēgšanas slēdzi (4) atpakaļ.

■ Griešanās ātruma izvēle

Ierīce ir apgādāta ar elektronisko vadības sistēmu, kura dod iespēju apstrādājamam priekšmetam pielāgot apgriezīgu frekvenci.

Ar ātruma regulatoru (3) var regulēt diapazonā no 1 (vismazākā vibrācijas frekvence, piem. slīpjot termiski jutīgas virsmas) līdz MAX (vislielākā vibrācijas frekvence). Nepieciešamais apgriezīgu ātrums atkarīgs no materiāla veida un darba apstākļiem – to var izvēlēties vienīgi ar izmēģinājumu metodi.

■ Slīpēšana

Apstrādājamo priekšmetu novietot nekustīgi uz stabilas pamatnes vai stiprināšanai izmantot skrūvspīles. Ierīci ieslēgt.

Slīpmašīnas slīpējošo virsmu vadīt pa slīpējamā priekšmeta virsmu ar nemanāmu eliptisku kustību. Nelietot nekādu papildus spiedienu, ierīces masa ir pilnībā pietiekoša. Lielāks ierīces spiediens uz apstrādājamo materiālu nedod slīpēšanas efektivitāti, bet gan pātrina ierīces un smilšpapīra nolietošanos.

Veikt virkni atkārtotu slīpēšanas darbību lietojot arvien smalkāku smilšpapīru.

UZMANĪBU: *Tikai smilšpapīrs, kurš ir tehniski nevainojamā stāvoklī garantē labu pārādes efektivitāti un sargā elektroinstrumentu no defekta.*

■ Pulēšana

Lai piešķirtu spīdumu izbalējušai lakai vai likvidēt krāpējumus (piem. no akrila stikla) ierīci var aprīkot ar atbilstošu saķerošu pulēšanas instrumentu, tādu kā aitas vilnas, pulēšanas filca vai pulēšanas sūklja pārklājums (aprakstītais aprīkojums neietilpst standarta komplektā).

Pulēšanai izvēlēties vismazāko apgriezīgu ātrumu (1 pakāpe), lai nepieļautu virsmas pārmērīgu saķaršanu.

Uzklāt pulēšanas līdzekli atbilstoši ražotāja instrukcijai.

Pulēt saskaņā ar pulēšanas līdzekļa pievienoto instrukciju garenvirzienā un šķērsvirzienā vai lietojot cirkulāras kustības.

Pulēšanas ierīci nepieciešams regulāri tīrīt, lai garantētu labu pulēšanas rezultātu. Pulēšanas ierīci mazgāt ar maigu mazgāšanas līdzekli un siltu ūdeni. Nelietot šķīdinātājus.

GLABĀŠANA UN KONSERVĀCIJA:



BRĪDINĀJUMS:

Pirms visiem konservācijas darbiem nepieciešams izvilkt kontaktdakšīņu no kontaktligzdas.

Mašīnai būtībā nav nepieciešama speciāla konservācija. Mašīnu nepieciešams glabāt bērniem nepieejamā vietā, uzturēt tīru, sargāt no mitruma un putekļiem. Glabāšanas apstākļiem jāizslēdz mehānisko bojājumu iespēju kā arī atmosfēras apstākļu iedarbību.

■ Tīrīšana

Droša un ražīga darba nodrošināšanai, slīpmašīnas korpusam un

ventilācijas atverēm jābūt pēc iespējas brīvām no putekļiem un netīrumiem. Ieteicams tīrīt ierīci uzreiz pēc katras lietošanas.

Slipmašīnu tīrīt ar tīru mitru drānu, lietojot nedaudz ziepju, vai arī izpūst ar zema spiediena saspiesto gaisu.

Nelietot nekādus tīrīšanas līdzekļus un šķīdinātājus; tie var sabojāt no plastmasas izgatavotas ierīces daļas.

Nepieciešams uzmanīties, lai ierīcē neiekļūtu ūdens.

■ **Transports**

Ierīci transportēt un glabāt iepakojumā, kurš sargā no mitruma, putekļu un sīko daļu iekļūšanas – īpaši nepieciešams nodrošināt ventilācijas atveres. Sīkie elementi, kuri iekļūst korpusa iekšienē var sabojāt dzinēju.

TIPISKIE DEFEKTI UN TĀ NOVĒRŠANA:

Ierīce nedarbojas:

- Pārbaudīt vai barošanas vads ir pareizi pievienots un veikt drošinātāju pārbaudi. Ja elektroinstrumentu nevar ieslēgt, to nepieciešams nosūtīt vienā no servisa punktiem. Adreses uzrādītas garantijas kartē.

RAŽOTĀJS:

PROFIX SIA, Marywilska iela 34, 03-228 Varšava, Polija

VIDES AIZSARDZĪBA:



UZMANĪBU: Tajā veidā apzīmētus izstrādājumus, neizpildes gadījumā paredzot naudas sodu, nedrīkst izmest kopā ar parastiem atkritumiem. Elektriskajā un elektroniskajā iekārtā

esošas briesmīgas vielas var kaitēt apkārtei un cilvēku veselībai.

Nepieciešams veicināt iekārtu atkritumu pārstrādāšanai un atkārtotai izmantošanai (reciklēšanai). Polijā un Eiropā tiek veidots, vai jau eksistē, iekārtu atkritumu vākšanas sistēma, saskaņā ar ko visiem iepriekšminētās iekārtas pārdošanas punktiem ir pienākums pieņemt nolietotu iekārtu. Turklāt, ir pieejamas iepriekšminētās iekārtas vākšanas punkti.

■ **Uz ierīces plāksnītes atrodošos apzīmējumu paskaidrojumi**



– «**Pirms ieslēgšanas un darba sākuma nepieciešams iepazīties ar šo instrukciju**»



– «**Vienmēr lietot aizsargbrilles**»



– «**Lietot dzirdes aizsardzības līdzekļus**»



– «**Lietot putekļu maskas**»



Firmas PROFIX politika ir nepārtraukta savu produktu pilnveidošanas politika, tāpēc firma sev rezervē tiesības ievest izstrādājuma specifikācijas izmaiņas bez iepriekšējas paziņošanas. Zīmējumi, kuri uzrādīti apkalpošanas instrukcijā kalpo tikai kā piemērs un var nedaudz atšķirties no iegādātās ierīces reālā izskata.

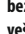
Šī instrukcija ir sargāta ar autortiesībām. Aizliegts to kopēt/pavairot bez PROFIX SIA rakstiskas atļaujas.



PŘED ZAHÁJENÍM POUŽÍVÁNÍ SE SEZNAMTE S TÍMTO NÁVODEM.

Uchovávejte návod pro případné další použití.



POZOR! Přečtěte si všechny výstrahy týkající se bezpečnosti používání označené symbolem  a veškeré pokyny týkající se bezpečnosti používání.

Nedodržování uvedených bezpečnostních výstrah a bezpečnostních pokynů může být příčinou zásahu elektrickým proudem, požáru a/nebo závažných úrazů.

Uchovejte výstrahy a pokyny týkající se bezpečnosti pro případné použití v budoucnosti.

V níže uváděných výstrahách pojem „elektronářadí“ znamená elektronářadí napájené z elektrické sítě (elektrickým vodičem) nebo elektronářadí napájené baterií (bezdrátové).



VÝSTRAHA! Všeobecné výstrahy týkající se bezpečného používání nářadí.

Bezpečnost na pracovišti:

- Udržujte na pracovišti pořádek a zajistěte zde dobré osvětlení. Nepořídek a špatné osvětlení často zapříčiňují nehody.
- Nepoužívejte elektronářadí ve výbušném prostředí tvořeném hořlavými tekutinami, plyny nebo prachem. Elektronářadí vytváří jiskry, které by mohly zapálit prach nebo výpary.
- Nepouštějte děti ani jiné pozorovatele na místa, kde se používá elektronářadí. Rušení pozornosti může způsobit ztrátu kontroly nad elektronářadím.



VÝSTRAHA! Všeobecné výstrahy týkající se bezpečného používání nářadí.

Elektrická bezpečnost:

- Zástrčky nářadí musí odpovídat zásuvkám. Nikdy žádným způsobem nepředělavajte zástrčky. V případě elektronářadí, které má vodič s ochranným uzemněním, nepoužívejte žádné prodlužovačky. Původní nepředělané zástrčky a zásuvky snižují riziko zásahu elektrickým proudem.
- Vyvarujte se dotýkání uzemněných ploch nebo takových, které jsou spojené s hmotou, jako jsou trubky, ohřívače, radiátory ústředního topení a chladničky. V případě dotýkání takových ploch a předmětů roste riziko zásahu elektrickým proudem.
- Nevystavujte elektronářadí na působení deště nebo vlhka. Pokud by se do elektronářadí dostala voda, roste riziko zásahu elektrickým proudem.
- Kabely se nesmí žádným způsobem namáhat. Nikdy nepoužívejte kabel k nošení, tažení elektronářadí nebo k vytahování zástrčky ze zásuvky. Kabel musí být umístěn daleko od zdrojů tepla, oleje, ostrých hran nebo pohyblivých částí. Poškozené nebo propletené kabely zvyšují riziko zásahu elektrickým proudem.
- V případě, že se elektronářadí používá venku, je třeba prodlužovat elektrické kabely prodlužovací určenými na práci venku. Používání prodlužovace určeného do venkovního prostředí snižuje riziko zásahu elektrickým proudem.
- Doporučuje se připojení zařízení k elektrické síti vybavené proudovým chráničem (RCD) s vypínacím proudem 30mA nebo menším.

- Pokud je nezbytné použití elektronářadí ve vlhkém prostředí, je třeba použít jako ochranu proudový chránič (RCD). Použití RCD snižuje riziko zásahu elektrickým proudem.



VÝSTRAHA! Všeobecné výstrahy týkající se bezpečného používání nářadí.

Osobní bezpečnost:

- Toto zařízení nesmí používat osoby (včetně dětí) s omezenou fyzickou, smyslovou nebo psychickou schopností, nebo osoby, které nemají odpovídající zkušenosti nebo znalosti zařízení, leda že je používají s příslušným dozorem, nebo v souladu s návodem na používání zařízení, který jim předají osoby zodpovědné za jejich bezpečnost.
- Při používání elektronářadí je třeba být předvídatý, pozorovat, co se děje, a používat zdravý rozum. Nepoužívejte elektronářadí, pokud jste unaveni nebo pod vlivem drog, alkoholu nebo léků. Chvilě nepozornosti při práci s elektronářadím může způsobit závažné osobní úrazy.
- Je třeba používat osobní ochranné prostředky. Je třeba vždy používat ochranné brýle. Používání v příslušných podmínkách takových ochranných prostředků, jako je protiprachová respirační maska, protiskluzová obuv, přílba nebo chrániče sluchu, sníží nebezpečí osobních úrazů.
- Je třeba se vyhnout neplánovanému spuštění. Před připojením k elektrickému zdroji a/nebo před zapojením baterie a než se nářadí zvedne, nebo přeneše, je třeba se ujistit, že je vypínač elektronářadí v poloze vypnuto. Přenášení elektronářadí s prstem na vypínači nebo připojení elektronářadí do sítě se zapojeným vypínačem může být příčinou nehody.
- Před spuštěním elektronářadí je třeba odstranit všechny klíče. Ponechání klíče v otáčející se části elektronářadí může způsobit poranění.
- Je zakázáno přilísit se naklánět. Po celou dobu musíte stát pevně a udržovat rovnováhu. Umožní Vám to dobře kontrolovat elektronářadí při nepředvídatelných situacích.
- Je třeba mít vhodné oblečení. Při práci nenoste volné oblečení ani bižuterii. Je třeba zajistit, aby Vaše vlasy, oblečení a rukavice byly v bezpečné vzdálenosti od pohyblivých částí. Volné oblečení, bižuterie nebo dlouhé vlasy se mohou zachytit do pohyblivých částí.
- Pokud je zařízení přizpůsobeno na napojení k vnějšímu odsávání prachu a pohlcovači prachu, ujistěte se, že jsou připojeny a řádně se používají. Použitím pohlcovačů prachu můžete omezit nebezpečí závislé na prašnosti.
- Neodvolte, aby vaše znalosti získané častým používáním elektronářadí způsobily, že se budete cítit sebejistě a začnete ignorovat bezpečnostní pravidla. Neopatrnost při činnosti může způsobit v zlomku sekundy závažný úraz.



VÝSTRAHA! Všeobecné výstrahy týkající se bezpečného používání nářadí.

Používání elektronářadí a péče o ně:

- Elektronářadí se nesmí přetěžovat. Je třeba používat elektronářadí s výkonem vhodným pro provádění určité práce. Správné elektronářadí umožní lepší a bezpečnější práci se zátěží, na kterou bylo naprojektováno.

- b) Elektronářadí, u kterého nefunguje spínač, se nesmí používat. Každé elektronářadí, které nelze zapínat nebo vypínat spínačem, je nebezpečné a je třeba je opravit.
- c) Před provedením každého seřízení, výměny součástky nebo před skladováním odpojte zástrčku elektronářadí od zdroje elektrického proudu a/nebo odpojte baterií. Takový bezpečnostní postup omezuje riziko náhodného spuštění elektronářadí.
- d) Nepoužívané elektronářadí uchovávejte mimo dosah dětí a nedovoľte přístup osobám, které nejsou obeznámené s elektronářadím nebo s tímto návodem na používání elektronářadí. Elektronářadí může být nebezpečné v rukách nevyškolených uživatelů.
- e) Elektronářadí je třeba udržovat. Je třeba kontrolovat souosost nebo zaseknutí pohyblivých částí, praskliny součásti a veškeré další faktory, které by mohly ovlivnit činnost elektronářadí. Pokud zjistíte poškození, musíte elektronářadí před použitím opravit. Příčinou mnohých nehod je neodborná údržba elektronářadí.
- f) Řezací nástroje musí být ostré a čisté. Řádná údržba ostrých hran řezacích nástrojů snižuje pravděpodobnost zaseknutí a usnadňuje obsluhu.
- g) Elektronářadí, vybavení, pracovní nástroje apod. používejte v souladu s tímto návodem, při čemž zohledněte pracovní podmínky a druh prováděné práce. Používání jiným způsobem, pro který není elektronářadí určeno, může způsobit nebezpečné situace.
- h) V nízkých teplotách, nebo pokud se nářadí po delší dobu nepoužívá, doporučuje se zapnout elektronářadí bez zátěže po dobu několika minut za účelem řádného promazání mechanismu pohonu.
- i) K čištění elektronářadí používejte měkký, vlhký (ne mokry) hadřík a mýdlo. Nepoužívejte benzín, rozpouštědla a další prostředky, které by mohly poškodit zařízení.
- j) Elektronářadí je třeba skladovat / dopravovat až potom, co se ujistíte, že jsou veškeré jeho pohyblivé součásti zablokované a zajištěné proti odblokování s použitím původních součástek určených k tomuto účelu.
- k) Elektronářadí skladujte na suchém místě chráněném proti prachu a průniku vlhkosti.
- l) Doprava elektronářadí by měla probíhat v původním obalu tak, aby bylo chráněné proti mechanickému použití.
- m) Držáky a plochy uchopení udržujte čisté, nezamastěné olejem a mazivem. Kluzké držáky a plochy uchopení neumožňují bezpečné držení nářadí a jeho plnou kontrolu v nečekaných situacích.



VÝSTRAHA! Všeobecné výstrahy týkající se používání nářadí.

Oprava:

- a) Záruční a pozáruční opravy svého elektronářadí provádí Servis PROFIX, což zaručuje nejvyšší kvalitu oprav a používání původní náhradních dílů.



VÝSTRAHA!

Při práci s elektronářadím vždy dodržujte základní pravidla bezpečnosti práce, abyste zamezili výbuchu požáru, zásahu



elektrickým proudem nebo mechanickému úrazu.

EXCENTRICKÁ BRUSKA

Dodateční bezpečnostní návody počas broušení:

- a) Excentrická bruska, dále jen „bruska“, není voděodolná, proto ji používejte pouze k broušení nasucho. Přeniknutí vody dovnitř elektronářadí může způsobit zasažení proudem.
- b) Při broušení kovu vnikají iskry. Je zapotřebí dbát o to aby práci vznikající iskry nebyly pro nikoho hrozbou, zároveň odstranit všechny poblíže se nachazající lehce zápalní látky. Pod vlivem jiskření může dojít taky k samozapálení brousniho prachu. Zvýšené nebezpečí hrozí pokud takovej prach je zmíchání za zbytkami laku, poliuretanu nebo s ostatními chemickým materiálům, a broušený materiál je po dlouhé době rozehrátej. V závislosti s tím, náleží chránit materiál a brusku před přehátím, a v přestávkách a po ukončení práce vždy odstránit brousni prách.
- c) Pracovní místo vždy udržovat v čistotě. Mísení materiálů je velice nebezpeční. Prách z lehkého kovu se může zapálit nebo vybuchnout.
- d) Vdychování brousniho pylu je nebezpečné pro zdraví. Bezprostřední fyzický kontakt z prachem nebo jeho přeniknutím do plic může vyvolat alergické reakce a/nebo choroby dýchacích traktu dělníka nebo osob nacházejících se v jeho blízkoti. Některé materiály, napr. malířské povlaky s obsahem olova, obsahují chemické substance, které mohou být toxické. Že by zničit oddělování těch chemických sloučenin, vždy je zapotřebí dbát o dobrou ventilaci pracoviska a pracovat s ochrannima pomůckama typu protiprachové masky s filtrem třídy P2, které jsou speciálně opracované k filtrování mikroskopických částecek. V rámci možnosti je potřeba odsávat prach.
- e) Počas práce je zapotřebí používat ochranní brýle proti zaprášení očí.
- f) Je potřeba používat pomůcky k ochraně sluchu (ochranná sluchadla, stopery). Dlouhodobé vystavení se hluku o vysoké intenzitě může způsobit strátu sluchu.
- g) Je potřeba používat ochranní rukavice a nikdy se nedotýkat podložky pracující brusky. Hrozí poranění dlaní.
- h) Elektronářadí je potřeba držet pevně počas práce obidvouma rukama a zajišťit beypeční pozici při práci. Elektronářadí je beypečnější vedeno oběma rukama.
- i) Je potřeba zabezpečit obráběný předmět. Zajištění obráběného předmětu v zvěráku nebo jiným tohto typu stroje je beypečnější než držení ho v ruce.
- j) Počas vykonávání práce je potřeba držet elektronářadí na zaizolovaném povrchu, při kterém by mohlo elektronářadí narazit na elektrické káble nebo na vlastní kábel. Pod vplyvem kontaktu s káblami pod proudem, nachází se všechny kovové části taky pod proudem a mohou spôsobit zasažení proudem operátora.
- k) V případě výpadku napájení, napr. po výpadku proudu nebo po odstranění zástrčky ze zásuvky, je potřeba odblokovat zapínač/vypínač a nastavit ho v poloze vypnutej. Tímto spôsobem lze zabránit náhodnému zapnutí napájení elektronářadí.
- l) Nesmí se používat elektronářadí s poškozeným káblem. Nedotýkat se poškozeného káblu, v případě poškození káblu při práci, je potřeba vytáhnout zástrčku ze zásuvky. Poškozené

káble zvyšují riziko zasažení proudem.

POZOR! Pokud se poškodí neodnímatelný napájecí kabel, to měl by být nahrazen speciálním káblem nebo souborem dostupným u výrobce nebo v specializovaném servisu.

ÚČELA STRUKTURA BRUSKY:

Bruska je určena k broušení a leštění nasucho dřevěných povrchů, povrchů na bázi dřeva, kovových a umělohmotných povrchů a k odstraňování starých nátěrů pomocí smirkového papíru s odpovídající zrnitostí (od 40 do 1200) a pomocí leštících násadek se suchým zipem.

POZOR! Nepoužívat na azbest a materiálů obsahujících grafit. Nepoužívat na sádro (svěry sádro-kartonu) a im podobních materiálů. Jemný prach pronikající do vnitřku přístroje způsobí blokování větrání prostoru, což vede k přehřívání a spálení motoru. Spůsobuje to strátu záručních práv.

Excentrická bruska je přístrojem v druhé ochranní třídě (podvojná izolace) a je poháněna jednofázovým motorem.

Přístroj není určen pro komerční, řemeslné a průmyslové využití. Záruka se nevztahuje pokud byl přístroj používán v závodních řemeslných, průmyslových nebo k podobné činnosti.

Jakékoliv použití brusky neshodující se s jejím účelem uvedeným výše je zakázané a způsobuje strátu záruky nebo strátu odpovědnosti výrobce za vzniklé škody.

Struktura brusky je znázorněna obrázkem A. Všechny úpravy provedené uživatelem oslabují výrobce z odpovědnosti za poškození a škody způsobené uživateli a jeho prostředím. Správné použití brusky se vztahuje i na údržbu, skladování, dopravu a opravy.

Bruska smí být opravena pouze v servisech určených výrobcem. Síťové brusky by měly být opravené pouze přes oprávněné osoby.

Přes používání v souladu s určením nelze zcela odstranit určité faktory zbytkového rizika. Vzhledem na konstrukci a stavbu stroje se mohou vyskytnout následující ohrožení:

- Poškození sluchu v důsledku nepoužívání nutné ochrany sluchu;
- Zdraví škodlivé vystavení dřevěnému prachu v případě provádění práce v uzavřených místnostech;
- Ohrožení zdraví z důvodu dlouhého používání elektronářadí. V takových situacích musíte dělat pravidelné přestávky v práci.

KOMPLETACE:

- Excentrická bruska – 1 ks.
- Brusní list $\varnothing 125$ mm – 1 ks.
- Uhlíky – 2 ks.
- Záruční list - 1 ks.
- Návod na obsluhu – 1 ks.

POPIS VÝKRESŮ A, B, C, D:

1. Brusný talíř
2. Pomocný úchyt
3. Ovládací kolečko nastavení rychlosti
4. Přepínač
5. Hlavní úchyt s protiskluzovou úpravou
6. Kabel napájení
7. Nádržka na prach
8. Odsávání trysky
9. Brusní papír

10. Otvory pro odsávání prachu

11. Šrouby k upevnění brusného kotouče

TECHNICKÉ ÚDAJE:

Jmenovité napětí	220-240 V
Jmenovitý kmitočet	50 Hz
Odebíraný výkon	450 W
Rychlost otáček	0-13000/min
Brusní povrch	$\varnothing 125$ mm
Třída zařízení	□/II
Délka napájecího kabelu	3 m
Hmotnost	1,9 kg
Hladina akustického tlaku (LpA)	78 dB(A), ± 3 dB(A)
Hladina akustického výkonu (LwA)	89 dB(A), ± 3 dB(A)
Průměr pro vibrace obou rukojetí dle EN 62841-2-4 (tolerance měření $K=1,5$ m/s ²)	4,787 m/s ²

Uvedená úroveň vibrací platí pro základní použití elektronářadí. Pokud by bylo elektronářadí použito jinak nebo s jinými pracovními nástroji, a také pokud nebude prováděná dostatečná údržba, úroveň vibrací se může lišit od uvedené. Výše uvedené důvody mohou způsobit zvýšení vystavení vibracím během celé doby práce.

Je třeba uplatnit další bezpečnostní prostředky, jejichž účelem je ochrana obsluhy proti důsledkům vystavení vibracím, např.: údržbu elektronářadí a pracovních nástrojů, zajištění vhodné teploty rukou, určení pořadí pracovních úkonů.

Deklarovaná celková hodnota vibrací a deklarované hodnoty emisí hluku byly naměřeny standardními způsoby zkoušení a lze je používat pro účely srovnávání s jinými nářadím.

Deklarovaná celková hodnota vibrací a deklarované hodnoty emisí hluku lze využívat při předběžném vyhodnocení vystavení.

Výstrahy:

Vibrace a emise hluku během skutečného používání elektronářadí se mohou lišit od deklarovaných hodnot v závislosti na způsobu, jakým je nářadí používáno, a především v závislosti na druhu obráběného předmětu.

Je třeba určit bezpečnostní prostředky na ochranu obsluhy, a to na základě odhadu skutečného vystavení během používání (při zohlednění všech částí operačního cyklu, jako je doba, po kterou je nářadí zapnuté, a doba, kdy je na volnoběhu, s výjimkou doby spouštění).

PŘED ZAHÁJENÍM PRÁCE:

- Ujistěte se, že napájení má parametry odpovídající parametrum dané brusky na typovém štítku.
- Ujistěte se, že přepínač brusky je vypnutý.
- Při práci s příponou, se ujistěte, že parametry prodlužovacího kabelu, překroje vodičů odpovídají parametrum brusky. Doporučuje se použít co nejkratší prodlužovací kabely. Prodlužovací kabel by měl být zcela rozvinutý.

POZOR: Při broušení používejte ochranu horních cest dýchacích (protipracové masky).

- Ze zdravotních důvodů po celou dobu práce by měly být použity nádržka na prach (7) nebo průmyslový vysavač jako systém odsávání prachu. Vakuové sací trubice by měla být připojena přímo k trysce odsávání prachu (8) v mlýnku (viz obr. B).
- Při broušení lakovaných povrchů venujte prosím zvláštní pozornost. Některé laky obsahují škodlivé látky, takže prach musí být odtráněn způsobem šetrným k životnímu prostředí.
- Při broušení povrchů pokrytých barvami obsahující sloučeniny olova by měla být použita maska absorbující výpary olova. Děti a těhotné ženy nesmí na pracoviště. Nejezte a nepijte při práci.
- Nikdy nepoužívejte stroj na broušení povrchů z hořčíku.

MONTÁŽ:

POZOR! Před každým úkonem prováděným na elektronáradí vytáhněte zástrčku stroje ze zásuvky.

■ Výměna smirkového papíru (viz obr. C)

Před nasazením nového smirkového papíru je třeba očistit brusný talíř (1) ze znečištění a prachu, například štětečkem.

Povrch brusného talíře (1) je proveden z látky pro zapínání na suchý zip, aby bylo možné rychle a snadno na něj připojit archy smirkového papíru.

Nasadte smirkový papír (9) na spodní stranu brusného talíře (1) a silně jej přitlačte po celém povrchu.

Aby bylo možné garantovat optimální odsávání prachu, zkontrolujte, zda se otvory ve smirkovém papíru pokrývají s otvory pro odsávání prachu (10) v brusném talíři.

■ Montáž nádobky na prach (viz obr. B)

Nasadte nádobku na prach (7) na trubici pro odvádění prachu (8) až na doraz.

Pro co nejlepší výsledky práce integrovaného systému odsávání prachu vyprázdněte nádobku po každých 5–10 minutách práce.

Pro vyprázdnění nádobky stáhněte ji z trubice a lehce ji poklepejte o tvrdou podložku, aby se prach odtrhl ze stěn nádobky. Vyprázdněte nádobku násoadovým otvorem.

Filtrační sítky čistěte pomocí štětečku.

■ Výměna brusného talíře (viz obr. D)

POZOR: Poškozený brusný talíř (1) je třeba okamžitě vyměnit.

Sundejte smirkový papír nebo leštící násadku.

Pomocí šroubováku PH2 zcela odšroubujte 4 upevňovací šrouby (11) a sundejte brusný talíř (1). Nasadte nový brusný talíř a silně jej připevňte šrouby.

PRACA:

■ Zapínání/vypínání

- Za účelem zapnutí brusky je třeba přesunout vypínač (4) dopředu.
- Za účelem vypnutí brusky je třeba přesunout vypínač (4) dozadu.

■ Výběr rychlosti otáček

Zařízení je vybaveno elektronickým řízením, které umožňuje vybrat frekvenci otáček vhodnou pro daný obráběný materiál.

Ovládací kolečko nastavení rychlosti (3) je možné nastavit od stupně 1 (nejnižší frekvence kmitů, např. při broušení povrchů, které jsou tepelně neodolné) do **MAX** (nejvyšší frekvence kmitů). Požadovaná rychlost otáček závisí na druhu obráběného materiálu a na podmínkách práce – nejlépe ji upravíte po vyzkoušení.

■ Broušení

Zajistěte obráběný předmět na stabilním povrchu nebo pomocí svéráku. Zapnout přístroj.

Brusní povrch brusky vedte mírně eliptickým pohybem po povrchu obráběného předmětu. Nepoužívejte žádný další tlak, pohotovostní hmotnost zařízení je plně dostačující. Větší důraz na obrábku zařízení nezvyšuje účinnost odstranění, ale rychlejší opotřebování stroje a brusního papíru.

Provádět řadu dalších broušení pomocí brusné archy snížením velikosti zrna.

POZOR: jen brusní papíry nacházející se v perfektním stavu jsou zárukou dobré výkonové parametry pro zpracování poškození.

■ Leštění

Pro přešetření zvětřalého laku nebo odstranění škrábanců (např. z akrylového skla) je možné vybavit stroj leštícími násoadkami se suchým zipem, například archy jehněčí vlny, leštící plsti nebo houby (tyto násoadky nejsou v základní výbavě).

K leštění zvolte nízké rychlosti otáček (stupeň 1), abyste zamezili zahřívání povrchu.

Nasadte leštící násoadku dle pokynů výrobce.

Leštíte dle pokynů výrobce násoadky pohyby křížem krážem nebo krouživými pohyby.

Pravidelně čistěte leštící násoadky, abyste si zaručili dobré výsledky leštění. Leštící násoadky je možné prát v jemném pracím prostředku a teplé vodě. Nepoužívejte rozpouštědla.

SKLADOVÁNÍ A ÚDRŽBA:



VAROVÁNÍ: Před každou údržbou odpojit zástrčku z napájení.

Zařízení v zásadě nevyžaduje žádnou zvláštní údržbu. Zařízení by mělo být uloženo na místě nepřístupném dětem, udržovaném v čistotě a chráněném před vlhkostí a prachem. Skladovací podmínky by měly vyloučit možnost mechanického poškození a povětrnostním podmínkám.

■ Údržba

Pro zajištění bezpečného a efektivního provozu, kryt brusky a větrací otvory by měly být pokud možno volné od prachu a špíny. Doporučuje se čistit zařízení bezprostředně po každém použití.

Brusku vytírat čistou navlhčenou utěrkou s malým množstvím mydla nebo profuknout stlačeným vzduchem s nízkým tlakem.

Nepoužívat žádné čisticí prostředky ani ředidla, mohou poškodit části zařízení vyrobeného z umělé hmoty.

Je zapotřebí dbát o to, aby se dovnitř zařízení nedostala voda.

■ Transport

Zařízení transportovat a skladovat v ochranním balení před vlhkostí, vnikáním prachu a drobných objektů, zvláště je potřebné zabezpečit větrací otvory. Drobné částice, které se dostanou dovnitř, mohou poškodit motor.

TYPICKÉ ZÁVADY A JEJICH ODSTRANĚNÍ:

Zařízení nefunguje:

- Zkontrolujte, zda je stroj správně připojen a zkontrolujte pojistky. Pokud se elektronáradí nedá zapnout je třeba je odevdat do jednoho z autorizovaných servisů. Adresy jsou uvedeny v záručním listu.

VÝROBCE:

PROFIX s.r.o.

ul. Marywilska 34,

03-228 Varšava, Polsko

OCHRANA ŽIVOTNÍHO PROSTŘEDÍ:



POZOR: Zobrazený symbol znamená zákaz likvidace zařízení dohromady s jinými odpady (na porušení zákazu se vztahuje pokuta). Nebezpečné složky, které se nacházejí v elektrickém a elektrotechnickém vybavení mají negativní vliv na životní prostředí a lidské zdraví.

Domácnosti by se měly zapojit do získávání zpět a opětovného využívání (recyklace) starých elektrospotřebičů. V Polsku a v Evropě se tvoří nebo už existuje systém sběru elektroodpadu, v rámci kterého mají všechna prodejní místa elektrospotřebičů povinnost přijímat elektroodpad. Kromě toho existují sběrná místa pro elektroodpad.

■ Vysvětlení ikon umístěných na firemním štítku a na informačních nálepkách na zařízení:



– «*Před spuštěním zařízení si přečtěte návod na obsluhu!*»



– «*Vždy používejte ochranné brýle*»



– «*Používejte prostředky na ochranu sluchu*»



– «*Používejte ochranné masky proti prachu*»



Politika firmy PROFIX je politikou průběžného zdokonalování výrobků, z toho důvodu si firma vyhrazuje právo změnit specifikaci výrobku bez předchozího informování. Obrázky, uvedené v návodu na obsluhu, jsou pouze příklady a mohou se lišit od skutečného vzhledu zakoupeného zařízení.


Tento návod je chráněn autorským zákonem. Jeho kopírování / rozmnožování bez písemného souhlasu společnosti PROFIX s.r.o. je zakázané.



HASZNÁLAT ELŐTT OLVASSA EL EZEKET AZ UTASÍTÁSOKAT!

Tartsa meg ezt az útmutatót későbbi tájékozódás céljából!



FIGYELEM! Olvassa el a  szimbólummal jelzett, a munkavédelemmel kapcsolatos összes figyelmeztetést és a biztonságos használatra vonatkozó összes utasítást!

A következő biztonsági előírások be nem tartása miatt baleset, áramütés, tüzveszély és/vagy komoly sérülés fordulhat elő

Őrizz meg az összes munkavédelmi figyelmeztetést és utasítást későbbi felhasználás céljából!

Az alábbi figyelmeztetések során használt „elektromos szerszám” kifejezés olyan szerszámot jelöl, melynek áramlátása hálózatról (tápkábellel) vagy akkumulátorral (kábel nélkül) történik.



FIGYELEM! Általános munkavédelmi szabályok:
Munkahelyi biztonság:

- Tartsa tisztán a munkaterületét és ügyeljen a jó megvilágításra! A munkaterületén uralkodó rendetlenség balesetekhez vezethet.
- Ne dolgozzon elektromos szerszámmal robbanásveszélyes környezetben, gyulladásveszélyes folyadékok, gázok vagy folyadékok közelében. Az elektromos szerszámok használata során szikra keletkezhet, mely belobbanthatja a port és a gőzöket.
- Tartsa távol a gyermekeket attól a helytől, ahol használja az elektromos szerszámot. A figyelemelterelés miatt elveszítheti kontrollját az elektromos szerszám felett.



FIGYELEM! A szerszám biztonságos használatával kapcsolatos általános szabályok:

Elektromos biztonság:

- Az elektromos szerszám csatlakozó dugója meg kell feleljen az aljzattal. Tilos a csatlakozó dugó módosítása! Tilos hosszabbítók használata a védőföldeléses kábellel ellátott elektromos szerszámok esetében! A csatlakozó dugók és aljzatok módosítása növeli az áramütés kockázatát!
- Kerülje a testi érintkezést a földelt felületekkel vagy tárgyakkal, mint a csövek, fűtőtestek, fűtőradiátorok vagy hűtőszekrények! A földelt részekkel való érintkezés esetén nő az áramütés kockázata!
- Ne tegye ki esőnek vagy nedves környezetnek az elektromos szerszámot! Víz behatolása esetén nő az áramütés kockázata!
- Ne erőltesse a csatlakozó kábelt! Ne használja a hálózati kábelt a szerszám mozgatására, húzására vagy a csatlakozó dugó aljzatról történő kihúzására. Tartsa távol a hálózati kábelt hőforrásoktól, olajtól, éles szélektől és mozgó alkatrészekről! A sérült vagy összegabalyodott kábelek növelik az áramütés kockázatát!
- Amennyiben az elektromos szerszámot a szabadban használja, a csatlakozást a szabadban történő használatra alkalmas kültéri hosszabbítókkal kell megoldani. A szabadban történő használatra alkalmas hosszabbítók használata csökkenti az áramütés kockázatát.

- A berendezést 30mA vagy kisebb kioldó áramú védőkapcsolós (RCD) elektromos hálózatra javasolt csatlakoztatni.

- Amennyiben az elektromos szerszámot nedves környezetben használja, elkerülhetetlen egy feszültségvédelmi eszköz használata, mint egy hibááram védelmi kapcsolós (RCD). Az RCD használata csökkenti az áramütés kockázatát.



FIGYELEM! A szerszám használatának biztonságával kapcsolatos általános figyelmeztetések:

Személyi biztonság:

- Ez a berendezés nem használható csökkentett fizikai, szenzoriális vagy mentális képességű személyek (beleértve a gyermekeket is), tapasztalattal nem rendelkező személyek vagy olyan személyek által, akik nem ismerik a berendezést, kivételt képeznek azok a helyzetek, amikor a berendezés használata felügyelet alatt vagy a használati utasítások betartásával történik egy, a biztonságért felelős személy által.
- Legyen figyelmes, összpontosítson arra, amit csinál és legyen mindig annak tudatában, hogy elektromos szerszámmal dolgozik! Ne használja az elektromos szerszámot, ha fáradt, ha kábítószert, alkoholt vagy gyógyszer befolyása alatt áll! Elektromos szerszám használatánál egy pillanatnyi figyelmetlenség is komoly sérülések okozója lehet!
- Hordjon védőruházatot! Minden esetben viseljen védőeseményeket! Olyan védőruházatot hordása mint a porvédő maszk, csúszásbiztos cipő, fülvédő vagy hallásvédő csökkenti a sérülések kockázatát!
- Kerülje el, hogy az elektromos szerszám véletlenül bekapcsoljon! A hálózati áramforrásra történő csatlakozás és/vagy az akkumulátor csatlakoztatása, valamint a szerszám felemelése vagy mozgatása előtt, győződjön meg arról, hogy az elektromos szerszám kapcsolója kikapcsolt állapotban van! Az elektromos szerszám mozgatása vagy bekapcsolt állapotban történő használata balesetet okozhat!
- Az elektromos szerszám beindítása előtt távolítson el minden szerszámot a közelből! Az elektromos szerszám mozgó részein hagyott szerszámok sérüléseket okozhatnak!
- Ne hajoljon le mélyen! Álljon biztosan és tartsa meg az egyensúlyát! Ez az elektromos szerszám jobb ellenőrzését teszi lehetővé váratlan helyzetekben.
- Öltözzön fel megfelelően! Ne hordjon bő ruházatot vagy ékszert! Haját kösse be, ruházatát és kesztyűjét tartsa távol a mozgó alkatrészekről! A bő ruházat, az ékszer és a hosszú haj beleakadhat a mozgó alkatrészekbe.
- Amennyiben a berendezés alkalmas külső porszívó és porgyűjtő csatlakoztatására, győződjön meg arról, hogy ezek helyesen lettek csatlakoztatva és használva. A porgyűjtő használata csökkentheti a porral járó veszélyek kockázatát.
- Ne engedje, hogy az elektromos szerszám gyakori használata során szerzett jártasság hatására túlzott magabiztossá váljon és figyelmen kívül hagyja a biztonsági szabályokat. A figyelmen kívül hagyás pillanat alatt súlyos testi sérülést okozhat.



FIGYELEM! A szerszám biztonságos használatára vonatkozó általános figyelmeztetések:

Az elektromos szerszám használata és gondozása:

- a) Ne terhelje túl az elektromos szerszámot! Az elvégzendő munkához szükséges teljesítmény függvényében használjon elektromos szerszámokat! A megfelelő elektromos szerszám jobb működést és biztosabb terhelést tesz lehetővé.
- b) Tilos az elektromos szerszám használata, ha a kapcsoló nem indítja el és nem állítja meg a szerszámot! Minden elektromos szerszám, amely nem indul el vagy nem áll meg, veszélyes és meg kell javítani!
- c) Minden beállítás, alkatrészcsere vagy tárolás előtt húzza ki a csatlakozó dugót az elektromos szerszám hálózati áramforrásból és/vagy vegye ki az akkumulátort! Ezek a biztonsági intézkedések csökkentik az elektromos áram véletlenszerű bekapcsolását.
- d) A használaton kívüli elektromos szerszámot gyermekektől távol kell tárolni, és nem szabad kölcsön adni olyan személyeknek, akik nem ismerik az elektromos szerszámot vagy nem olvasták el annak használati utasításait! Az elektromos szerszám veszélyes, ha tapasztalat nélkül személy használja!
- e) Az elektromos szerszámot karban kell tartani! Ellenőrizni kell a mozgásban lévő alkatrészek vonalbeállítását vagy zavarát, az alkatrészek törését és egyéb tényezőket, melyek befolyásolhatják az elektromos szerszám működését! Ha rongálódást észlelünk, az elektromos szerszámot még használat előtt meg kell javítani! Számos baleset oka az elektromos szerszám nem megfelelő karbantartása.
- f) A vágószerszámok élesek és tiszták kell legyenek! A vágószerszámok éles alkatrészeinek karbantartása csökkenti az anyagba történő beakadás kockázatát és megkönnyíti a használatot.
- g) Az elektromos szerszámot, a berendezést, a munkaszerszámokat, stb. jelen utasításoknak megfelelően kell használni, figyelembe véve a munka jellegét és feltételeit. Az elektromos szerszám rendeltetésétől eltérő használata veszélyes helyzeteket okozhat.
- h) Alacsony hőmérsékleten vagy hosszabb használaton kívüli időszakot követően ajánlott az elektromos szerszám teher nélküli elindítása néhány percra a kenőanyag átviteli mechanizmusba történő helyes elosztása érdekében.
- i) Az elektromos szerszám tisztításához puha, nedves (nem vizes) rongyot és szappant használjon! Ne használjon benzint, oldószert vagy egyéb anyagokat, amelyek károsíthatják a berendezést!
- j) Az elektromos szerszámot csak azután lehet tárolni/szállítani, miután megbizonyosodtunk arról, hogy minden mozgó elem rögzítésre és biztosításra került a rögzítésre szánt eredeti elemek segítségével.
- k) Az elektromos szerszámot száraz helyen kell tartani, védve a portól és a nedvességtől.
- l) Az elektromos szerszám szállítása az eredeti csomagolásban történhet, megvédve ezáltal a mechanikai sérülésektől.
- m) A markolatot és a fogófelületeket tisztán, olaj- és kenőanyagtól mentesen kell tartani. A csúszós markolatok és

fogófelületek lehetetlenné teszik a szerszám biztonságos fogását és felügyeletét az esetleges váratlan szituációkban.



FIGYELEM! A szerszám biztonságos használatára vonatkozó általános figyelmeztetések:

Javítás:

- a) Az elektromos szerszámok garanciális és garancia utáni javítását a PROFIX Szerviz végzi, ami garantálja a javítás kiváló minőségét és az eredeti alkatrészek használatát.



FIGYELEM!

Az elektromos szerszám használati ideje alatt ajánlott betartani a munkabiztonsági alapszabályokat a tüzesetek, áramütés vagy mechanikai sérülések elkerülése érdekében.



EXCENTERCISZOLÓ

Csiszolás idejére vonatkozó kiegészítő biztonsági előírások:

- a) Az excentercsiszoló, továbbiakban «csiszoló», nem vízálló berendezés, csak száraz csiszolásra szabad használni. Az elektromos szerszám belsejébe behatól víz áramütéshez vezethet.
- b) Csiszolás közben szikrák képződhetnek! Vigyázni kell, hogy a munkavégzés során keletkező szikrák ne jelentsenek veszélyt a környéken lévő személyekre nézve és távolítson el minden a közelből minden gyúlékony anyagot! A szikrák miatt megtörténhet, hogy a csiszolópor belobban. Ez a veszély akkor nő, amikor a por összekeveredik a maradék lakkal, poliuretánnal vagy egyéb vegyszerrel és a hosszú megmunkálás miatt a csiszolt anyag forróvá válik. Emiatt kerülnie kell a csiszolt anyag túlhevülését és miután befejezte a munkát, a szünetekben minden alkalommal el kell távolítania a port.
- c) A munkavégzés helyét tisztán kell tartani! Az anyagkeverékek kifejezetten veszélyesek! Az alkalin fémpor be- és felrobbanhat!
- d) A csiszolópor belélegzése árt az egészségnek! A porral történő közvetlen fizikai érintkezés vagy ennek tüdőbe történő bejutása allergiás reakciókat és/vagy légúti bántalmakat okozhatnak a kezelőnek vagy a környezetében lévő személyeknek. Egyes anyagok, mint pl. az ólom hozzáadásával készült festékekkel festett felületek olyan vegyi anyagokat tartalmaznak, amelyek toxikusak lehetnek. Az ilyen vegyi anyagok által kiváltott reakciók csökkentése érdekében biztosítani kell a munkahely megfelelő szellőzését és bevizsgált védőfelszerelésekkel kell dolgoznia, mint a P2-es osztályú szűrős porvédő maszk, amely különösen a mikroszkópikus részecskék szűrésére lett kifejlesztve. Amennyiben lehetséges, használjon por elszívó berendezést!
- e) A készülékkel történő munkavégzés ideje alatt a szem porosodása elkerülése érdekében használjon védőszemüveget!
- f) Használjon hallásvédő felszereléseket (fülvédőt, fül dugót)! A fokozott intenzitású hosszú expozíció hallásveszteséghez vezethet!
- g) Használjon védőkesztyűt és soha ne érintse meg a mozgásban lévő csiszológép alapzatát! Ez a kezek sérüléséhez vezethet!
- h) Mindkét kezével tartsa erősen az elektromos szerszámot és válasszon egy biztos munkapozíciót! Az elektromos szerszám

mindkét kézzel történő tartása biztosabb!

- i) **Az elektromos szerszámot még azelőtt be kell kapcsolni, hogy a penge hozzáérne az anyaghoz!** Ellenkező esetben fennáll a visszaugrás veszélye, mivel a használt készülék a megmunkált tárgyba akad.
- j) **Amikor olyan munkát végez, melynek során a készülék rejtett elektromos kábelekkel vagy saját tápkábelével érintkezhet, az elektromos szerszámot a fogantyú szigetelt felületénél kell fogni!** A tápkábelrel történő érintkezés a készülék fém alkatrészeinek továbbíthatja át a feszültséget, ez pedig áramütéshez vezethet.
- k) **Árammal történő ellátás szüneteltésekor, pl. áramszünetkor vagy miután kihúzta a csatlakozó dugót az aljzatból, szabadná kell tennie a be/kikapcsoló gombot és a „kikapcsol” pozícióba kell állítani!** Ezáltal megelőzheti az elektromos szerszám nem kívánt elindítását.
- l) **Tilos az elektromos szerszám sérült tápkábelrel történő használata! Ne érintse meg a sérült tápkábelt! Abban az esetben, ha a kábel a készülék használata közben sérül meg, húzza ki a csatlakozó dugót az aljzatból!** A sérült kábelek növelik az áramütés kockázatát

FIGYELEM! Amennyiben a le nem szerelhető tápkábel megsérül, a gyártónál vagy egy szakszervízben található speciális kábelrel vagy kábelgyűttessel kell kicserélni!

A CSISZOLÓ RENDELTETÉSE ÉS FELÉPÍTÉSE:

A csiszoló fa, fahaszló, fém, műanyag felületek száraz csiszolására és polírozására és régi festékbevonatok megfelelő szencsészeti (40 és 1200 közötti) csiszolópapír (od 40 do 1200) és tépőzárás polírozó betétrel történő eltávolítására szolgál.

FIGYELEM! Ne használja azbeszt és grafit tartalmú anyagok esetében! Ne használja gipszhez (a gipszkarton lemezek közötti fűgához) és hasonló anyagokhoz! A gép belsejébe bejutó finom por a szellőzőfelület eltömítését okozza, ami túlhevüléshez és a motor leégéséhez vezet. Ezek maguk után vonják a garanciális jogok elvesztését.

Az excentercsiszoló második védelmi fokozatú (kettős szigetelés) és egyfázisú motorral hajtott berendezés.

Ne használja a szerszámot olyan munkák elvégzésére, melyek professzionális készülék használatát igénylik!

A garancia szerződés érvényét veszíti, amennyiben a berendezést kézműves műhelyek, ipari üzemek vagy hasonló tevékenységek során használják!

A csiszoló minden olyan használata, amely eltér a fent említett rendeltetéstől, tilos és a garancia elvesztéséhez vezet, a gyártó nem felelős az ezekből eredő károkért.

A csiszoló felépítését az A. rajz mutatja be. A készülék összes, a felhasználó által végzett módosítása mentesíti a gyártót a felelősség alól a felhasználónak és a környezetnek okozott károkért. Ugyanakkor a csiszoló megfelelő használata a karbantartásra, tárolásra, szállításra és javításra is vonatkozik.

A csiszoló csak a gyártó által megjelölt javítóműhelyben javítható! A hálózatra kötött csiszológépet csak engedélyezett személyek javíthatják!

A rendeltetészerű felhasználás ellenére sem lehet teljesen kizárni az egyes reziduális kockázati tényezőket. A gép szerkezetére és felépítésére való tekintettel a következő veszélyek léphetnek fel:

- Halláskárosodás a szükséges fülvédő viselésének az elhagyása esetén;
- Egészségre káros fapороk kibocsátása zárt helyiségben végzett munkálatok során;
- Az elektromos szerszám hosszabb használata okozta sérülés. Ilyen situációkban rendszeres szüneteket kell tartani.

TARTOZÉKOK:

- Excentercsiszoló – 1 db.
- Csiszoló $\varnothing 125$ mm – 1 db.
- Szénkefe – 2 db.
- Garanciakönyv – 1 db.
- Használati utasítások – 1 db.

A, B, C, D ÁBRÁK LEÍRÁSA:

1. Csiszolótányér
2. Segédfogantyú
3. Fordulatszám szabályozó gomb
4. Be/kikapcsoló gomb
5. Főmarkolat csúszásgátló betéttel
6. Tápvezeték
7. Porgyűjtő
8. Porelszívó fúvóka
9. Csiszolóív
10. Porszívó nyílások
11. Csiszolótárcsa rögzítő csavarok

SPECIFIKÁCIÓK:

Névleges feszültség	220-240 V
Névleges frekvencia	50 Hz
Névleges teljesítmény	450 W
Forgási sebesség	0-13000/perc
Csiszoló felület	$\varnothing 125$ mm
Berendezés osztálya	II/II
Tápkábel hossza	3 m
Súly	1,9 kg
Hangnyomás szint (LpA)	78 dB(A), ± 3 dB(A)
Hangerő szint (LwA)	89 dB(A), ± 3 dB(A)
EN 62841-2-4 szabvány szerinti vibrációs szint (mérés tolerancia $K=1,5$ m/s ²)	4,787 m/s ²

A megadott rezgésszint az elektromos szerszám gép fő alkalmazásaira vonatkozik. Amennyiben az elektromos szerszám gépet egyéb alkalmazásra használja, vagy egyéb munkaeszközökkel használja, illetve ha a szerszám gépet nem fogja megfelelően karbantartani, a rezgésszint eltérhet a megadott adatoktól. A fent megadott okok a teljes munkavégzés alatt nagyobb rezgésszintet eredményezhetnek.

További biztonsági óvintézkedéseket kell bevezetni a kezelőszemély rezgésvédelme érdekében, pl.: az elektromos szerszám gép és a munkaeszközök karbantartása, a kéz megfelelő hőmérsékletének a biztosítása, műveletek sorrendjének a megállapítása.

A megadott rezgésszint és a megadott zajkibocsátás mérése szabványos

vizsgálati módszerrel történt és felhasználhatók a szerszámok összehasonlítására.

A megadott rezgésszint és a megadott zajkibocsátás felhasználható a kezdeti expozíció megállapítására.

Figyelmeztetések:

Az elektromos szerszám tényleges használata során a rezgésszint és a zajkibocsátás eltérhet a megadott értékektől, attól függően, hogyan használja a szerszámot, különösen függ a megmunkált anyag típusától. A kezelőszemély biztonsága érdekében meg kell határozni a biztonsági intézkedéseket, melyek a valós használat alatti expozíció megbecsülésén alapszik (figyelembe véve a művelet összes folyamatát, amikor a szerszám ki van kapcsolva, és amikor üresjáraton van, a kioldási idő kivételével).

A MUNKA MEGKEZDÉSE ELŐTT:

- Győződjön meg róla, hogy a tápfeszültség paraméterei megfelelnek a excentersziszoló adattábláján megadott paramétereknek.
- Győződjön meg róla, hogy a excentersziszoló kapcsológombja kikapcsolt állapotban van.
- Amennyiben hosszabbítót használ, bizonyosodjon meg arról, hogy a hosszabbító paraméterei, a kábelek szakaszai megfelelnek a lombfűrész paramétereivel. Ajánlott minél rövidebb hosszabbítót használni! A hosszabbító teljesen ki kell legyen feszítve!

FIGYELEM! Amikor csiszol, a felső légutak megvédeése érdekében használjon védőfelszerelést (porvédő maszkot)!

- Egészségügyi okokból kifolyólag a munkavégzés során mindig porgyújtót (7) vagy ipari porszívót használni a por elszívására. A porszívó szívócsövet közvetlenül a csiszológép (lásd a B ábra) porelvezető fúvókájára kell (8) csatlakoztatni.
- Amikor lakkozott felületeket csiszol, különleges védelmi intézkedéseket kell betartani! Egyes lakkok káros anyagokat tartalmaznak, ebből az okból is környezetvédelmi szempontból biztonságosan kell eltávolítani a port.
- Amikor olmot tartalmazó anyagokkal bevont felületet csiszol, használjon védőmaszkot, amelyek elnyelik az olmogózt! A gyermekek és terhes nők a munkavégzési helyre történő bejárata tilos! A munkavégzés helyén történő élelmiszer és ital fogyasztás tilos!
- Soha ne használja a csiszológépet magnézium felületek csiszolására!

BESZERELÉS:

FIGYELEM! Az elektromos szerszámmal végzett mindennemű munkavégzés előtt ki kell húzni a berendezés dugvilláját a dugaljából.

■ Csiszolópapír cseréje (lásd a C ábrát)

Az új csiszolópapír felhelyezése előtt meg kell tisztítani a csiszolótányérral (1) a szennyeződéstől és a portól, amihez pl. ecsetet kell használni.

A csiszolótányér felülete (1) tépőzár rögzítésére alkalmas szövettől készült, hogy lehetővé tegye a csiszolóív gyors és könnyű tépőzárás rögzítését.

Felhelyezni a csiszolóívet (9) a csiszolótányér (1) aljára és erősen rányomni a teljes felületére.

A por optimális elszívása érdekében ügyelni kell arra, hogy a csiszolópapíron található nyílások fedjék egymást a csiszolótányér porelvezető nyílásaival (10).

■ Porgyújtó beszerelése (lásd a B ábrát)

Helyezze fel ellenállásig a porgyújtót (7) a porelvezető nyílásra (8).

A beépített porelvezető rendszer legjobb hatékonyságának az elérése érdekében a porgyújtót minden 5-10 perc munkavégzés után ki kell üríteni.

A porgyújtó kiürítéséhez le kell venni a porgyújtót a fúvókáról és enyhén megütögetni egy kemény felületen, hogy elválassza a port a porgyújtó falától. A porgyújtót a csavarnyíláson keresztül ki kell üríteni.

A porgyújtószűrő hálót puha ecsettel kell megtisztítani.

■ Csiszolótányér cseréje (lásd a D ábrát)

FIGYELEM: A sérült csiszolótányérral (1) azonnal ki kell cserélni.

Vedd le a csiszolópapírt vagy a polírozó betétet.

Egy PH2 csavarhúzóval teljesen csavard ki a 4 rögzítőcsavart (11) és vedd le a csiszolótányérral (1). Rakd fel az új csiszolótányérral és csavard be, majd húzd meg a csavarokat.

KEZELÉ:

■ Be/kikapcsolás)

- A csiszológép bekapcsolásához tolja előre a kapcsológomb tolokát (4).
- A csiszológép kikapcsolásához húzza hátra a kapcsológomb tolokát (4).

■ Fordulatszám kiválasztása

A berendezés elektronikus vezérlőrendszerrel van felszerelve, amelyek lehetővé teszi a fordulatszám megmunkált anyagtól függő kiválasztását. A fordulatszám szabályozó forgatógombot (3) 1 (legkisebb rezgésfrekvencia, pl. hőérzékeny felületek csiszolása esetén) és MAX (legmagasabb rezgésfrekvencia) tartományban lehet beállítani. A szükséges fordulatszám függ az anyag típusától és a munkafeltételektől – egyedül próbámtól alapján lehet kiválasztani.

■ Csiszolás

Helyezze stabil felületre a megmunkált tárgyat vagy csavaros szorítóval rögzítse! Kapcsolja be a készüléket!

Kis elliptikus mozgásokkal mozgassa a csiszológép csiszoló felületét a megmunkált tárgy felületén! Ne gyakoroljon további nyomásokat a készülék saját tömege elegendő. A készülék további nyomása nem vezet a csiszolás hatékonyságának növeléséhez, hanem a készülék és a csiszolópapír gyorsabb elhasználódásához.

Végezzen egy sor csiszolási tevékenységet csökkenő szemcseelosztású csiszolóívekkel!

FIGYELEM! Csak a kitűnő műszaki állapotú csiszolóívek nyújtanak garanciát a megmunkálás hatékonyságára és megelőzik az elektromos szerszám meghibásodását.

■ Polírozás

A mállott lakk csillogóvá tételéhez vagy a karcolások eltávolításához (pl. akril üvegről) a berendezést egy megfelelő tépőzárás polírozó szerszámmal lehet felszerelni, pl. gyapjúbetét, polírozó filc vagy polírozó szivacs (a fent leírt tartozékok nem képezik a berendezés alapfelszerelését).

A polírozáshoz kis fordulatszámot választani (1 fok), hogy megelőzze a felület túlságos felhevülését.

A polírozó anyagot a gyártó útmutatójának megfelelően kell felhordani.

A polírozó anyaghoz mellékelt útmutatónak megfelelően polírozni hosszanti és keresztirányú, vagy körkörös mozdulatokkal.

Rendszeresen megtisztítani a polírozó szerszámot, hogy biztosítsa a tökéletes polírozást. A polírozó szerszámokat enyhén mosószerrel és meleg vízzel kell megmosni. Nem szabad oldószert használni.

TÁROLÁS ÉS KARBANTARTÁS:



FIGYELEM! Minden karbantartási művelet előtt ki kell húzni a csatlakozó dugót az aljzatból!

A szerszám nem igényel különösebb karbantartást. A szerszámot száraz helyen kell tárolni, gyermekektől távol, tisztán kell tartani, óvni a nedvességtől és a portól! A tárolási körülmények ki kell küszöböljék a mechanikus rongálódások vagy a különböző időjárási viszonyok káros hatásainak lehetőségét!

■ Tisztítás

A biztos és jó hatásfokú működés biztosítása érdekében a csiszológép gépházát és a szellőzőnyílásokat védeni kell a portól és a kosztól! Ajánlott a szerszámot közvetlenül a használat után megtisztítani!

A csiszológépet tiszta és nedves vászonnal, kis mennyiségű szappannal kell tisztítani vagy alacsony nyomással fújjon sűrített levegőt!

Ne használjon semmilyen tisztító- vagy oldószert, ezek megrongálhatják a gép műanyag alkatrészeit!

Vigyázzon arra, hogy ne kerüljön víz a készülék belsejébe!

■ Szállítás

A készüléket hordládában kell szállítani és tárolni, amely megóvja a készüléket a nedvességtől, a portól és a kisméretű tárgyaktól! Különösen a szellőzőnyílásokat kell védeni! A gépházba bejutó kis elemek rongálhatják a motort!

TÍPIKUS MEGHIBÁSODÁSOK ÉS AZOK ELTÁVOLÍTÁSAL:

A csiszológép nem működik:

- Ellenőrizze, hogy a tápkábel helyesen van csatlakoztatva és ellenőrizze a biztosítékokat is! Amennyiben az elektromos szerszámot nem lehet bekapcsolni, azt márkaszervizbe kell küldeni. A márkaszervizek címei a garanciakártyán találhatók.

GYÁRTÓ:

PROFIX Sp. z o.o., Marywilka u. 34, 03-228 Varsó, LENGYELORSZÁG

KÖRNYEZETVÉDELLEM:



FIGYELEM! Ez a jel jelöli, hogy a használt készüléket tilos egyéb hulladékkal egy helyen elhelyezni (pénzbüntetés terhe mellett). Elektromos és elektronikus gépek veszélyes alkotórészei negatívan befolyásolják a környezetet és az emberek egészségét.

Minden háztartásnak hozzá kell járulnia a használt készülékek visszanyeréséhez és újrahasznosításához. Úgy Lengyelországban, mint Európában megszervezik vagy már létezik a használt készülékek gyűjtési rendszere, melynek keretében az adott készülék minden értékesítési helyén kötelesek átvenni a használt készüléket. Ezenkívül léteznek ilyen típusú készülékek gyűjtő központjai is.

■ A névleges táblázatban szereplő rajzok magyarázata



– «Bekapcsolás és működtetés előtt olvassa el a használati utasításokat!»



– «Védőszemüveg használata kötelező!»



– «Hallásvédő használata kötelező!»



– «Porvédő maszk használata kötelező!»



A PROFIX cég politikája az, hogy folyamatosan tökéletesítse termékeit, ezért fenntartja magának azt a jogot, hogy a termék specifikációit előzetes tájékoztatás nélkül módosítsa! A használati utasításokban megjelölt ábrák csak példák, ezek kicsit eltérhetnek a megvásárolt eszköz valódi arculatától!

Az alábbi utmutatot szerzői jogok védik. Annak masolása / sokszorosítása a Profix Sp. z o.o. cég írásos beleegyezése nélkül tilos.



PRIEŠ RADEKANT DARBĄ SUSIPAŽINKITE SU INSTRUKCIJA.

Išsaugokite instrukciją, nes gali būti reikalinga vėliau.



ĮSPĖJIMAS! Prašome perskaityti visus įspėjimus dėl saugaus naudojimo pažymėtus simboliais ⚠ bei visas nuorodas dėl saugaus naudojimo.

Žemiau pateikiamų įspėjimų dėl saugos bei saugos nuorodų nesilaikymas gali būti elektros smūgio, gaisro ir/arba sunkių kūno sužalojimų priežastimi.

Išsaugokite visus įspėjimus ir visas saugos nuorodas, kad vėliau būtų galima jais pasinaudoti.

Žemiau pateiktuose įspėjimuose sąvoka „elektros prietaisas“ apibūdina elektros prietaisą maitinamą elektros energija iš elektros tinklo (maitinimo laidais) arba elektros prietaisą maitinamą akumuliatoriumi (batais).



ĮSPĖJIMAS! Bendri įspėjimai dėl saugaus įrankio naudojimo.

Sauga darbo vietoje:

- Darbo vietoje turi būti švaru, tvarkinga bei geras apšvietimas.** *Netvarka bei netinkamas darbo vietos apšvietimas gali būti nelaimingų atsitikimų priežastimi.*
- Nenaudoti elektros prietaiso sprogyje aplinkoje, kurioje yra degūs skysčiai, degios dujos arba dulkės.** *Elektros prietaiso darbo metu susidaro elektros kibirkštis, todėl gali užsidegti esantis aplinkoje garai.*
- Darbo vietoje negali būti vaikai bei pašaliniai.** *Dėmesio nukreipimas gali būti elektros prietaiso valdymo praradimo priežastimi.*



ĮSPĖJIMAS! Bendri įspėjimai dėl saugaus įrankio naudojimo.

Elektros sauga:

- Elektros prietaisų kištukai turi atitikti elektros lizdo tipui.** *Jokiu būdu negalima keisti kištuko. Jeigu elektros prietaisas turi įžeminimą, negalima naudoti ilgintuvo. Originalių kištukų bei lizdų naudojimas sumažina elektros smūgio riziką.*
- Venkite kūno kontakto su įžemintais paviršiais, tokias kaip vamzdžiai, šildytuvai, centrinio šildymo radiatoriai bei šaldytuvais.** *Kontaktas su įžemintais paviršiais didina elektros smūgio pavojų.*
- Saugokite prietaisą nuo lietaus ir drėgmės.** *Jeigu vanduo patenka į elektros prietaisą, padidėja elektros smūgio rizika.*
- Nenaudokite laidų ne pagal paskirtį.** *Neneškite įrenginio paėmę už laido, netraukite už jo norėdami išjungti kištuką iš elektros lizdo. Laidą klokite taip, kad jo neveiktų karštis, jis neišiteptų alyva ir jo nepažeistų aštrios detalės ar judančios prietaiso dalys. Pažeistas laidas gali tapti elektros smūgio priežastimi.*
- Jeigu elektros prietaisas yra naudojamas lauke, laido prailginimui naudokite tik specialiai tam skirtus prailgintuvus.** *Prailgintuvų skirtų darbiui lauke naudojimas sumažina elektros smūgio riziką.*
- Įrankį rekomenduojama jungti į elektros maitinimo tinklą, turintį likutinės srovės įrenginį (RCD), kurio išjungimo srovė yra 30 mA arba mažesnė.**
- Jeigu negalima išvengti elektros prietaiso naudojimo**

drėgnoje aplinkoje, naudokite RCD įrenginį. *RCD įrenginio naudojimas sumažina elektros smūgio riziką.*



ĮSPĖJIMAS! Bendri įspėjimai dėl saugaus įrankio naudojimo.

Žmonių sauga:

- Prietaisu negali naudotis asmenys (tame tarpe vaikai) turintys fizinius, jutimo arba psichinius negalavimus, taip pat asmenys neturintys darbo patirties arba nesusipažinę su prietaisu, nebent toks darbas vyksta stebint specialistui arba pagal prietaiso naudojimo instrukciją, kurį buvo perduota asmeniui atsakingu už saugą.**
- Būkite atidūs, sutelkite dėmesį į tai, ką Jūs darote ir, dirbdami su elektros prietaisu, vadovaukitės sveiku protu.** *Nedirbkite su prietaisu, jei esate pavargę arba vartojote narkotikus, alkoholį ar medikamentus. Akimirksnio neatidumas naudojant prietaisą gali tapti rimtų sužalojimų priežastimi.*
- Dėvėkite tinkamą aprangą.** *Nešiokite apsauginius akinius. Apsauginės aprangos, tokios kaip dulkių kaukė, neslystantis apsauginiai batai, šalmas, asinės, naudojimas sumažina sužalojimų grėsmę.*
- Saugokitės, kad neįjungtumėte prietaiso atsitiktinai.** *Prieš įjungiant kištuką į elektros lizdą ir/arba prieš akumuliatoriaus įjungimą bei prieš paimant arba pernešant prietaisą įsitikinkite, kad prietaisas yra išjungtas. Prietaiso pernešimas su pirštu ant jungiklio arba prietaiso įjungimas į maitinimo tinklą gali tapti nelaimingo atsitikimo priežastimi.*
- Prieš įjungdami prietaisą pašalinkite raktus.** *Prietaiso besisukančioje dalyje esantis įrankis ar raktas gali tapti sužalojimų priežastimi.*
- Nepasilenkite pernelyg į priekį.** *Dirbdami atsistokite patikimai ir visada išlaikykite pusiausvyrą. Patikima stovėseną ir tinkamą kūno laikysena leis geriau kontroliuoti prietaisą netikėtose situacijose.*
- Dėvėkite tinkamą aprangą.** *Nedėvėkite placių drabužių ir papuošalų. Saugokite plaukus, drabužius ir pirštines nuo besisukančių prietaiso dalių. Laisvus drabužius, papuošalus bei ilgus plaukus gali įtraukti besisukančios prietaiso dalys.*
- Jeigu įrenginiai yra pritaikyti prijungimui prie dulkių nusiurbimo ir dulkių surinkėjo, įsitikinkite, kad šie įrenginiai tinkamai prijungti ir panaudoti pagal paskirtį.** *Dulkių surinkėjų panaudojimas sumažina dulkių poveikio pasekmes.*
- Elektros įrankių naudojimo įgūdžiai, gtyti dažno jų naudojimo metu, negali per daug padidinti Jūsų pasitikejimo savimi ir leisti nesilaikyti saugos taisyklių.** *Neatsargiai naudojantis elektros įrankiais, galima rimtai susižeisti per kelias sekundes.*



ĮSPĖJIMAS! Bendri įspėjimai dėl saugaus įrankio naudojimo.

Rūpestinga elektros prietaisų priežiūra ir naudojimas

- Neperkraukite prietaiso.** *Naudojamo prietaiso galingumas turi atitikti atliekamam darbiui. Tinkamai parinktas elektros prietaisas leis atlikti darbą gerai ir saugiai.*
- Nenaudokite elektros prietaiso su sugedusiu jungikliu.** *Elektros prietaisas, kurio nebegalima įjungti ar išjungti, yra pavojingas ir jį reikia remontuoti.*

- c) Prieš reguliuodami prietaisą, keisdami darbo įrankius arba prieš sandėliavimą ištraukite kištuką iš elektros lizdo ir/arba atjunkite akumuliatorių. Ši saugumo priemonė apsaugos jus nuo netikėto prietaiso įsijungimo.
- d) Nenaudojamą prietaisą sandėliuokite vaikams ir nemokantiems juo naudotis arba nesusipažinusiems su instrukcija asmenims neprieinamoje vietoje. Elektriniai įrankiai yra pavojingi, kai juos naudoja nepatyrę asmenys.
- e) Rūpestingai prižiūrėkite prietaisą. Patikrinkite, ar besisukančios prietaiso dalys tinkamai veikia ir niekur nekliūva, ar nėra sulūžusių ar šiaip pažeistų dalių, kurios įtakotų elektros prietaiso veikimą. Jeigu yra gedimai suremontuokite prietaisą. Daugelio nelaimingų atsitikimų priežastis yra blogai prižiūrimi elektros prietaisai.
- f) Pjovimo įrankiai turi būti aštrūs ir švarūs. Rūpestingai prižiūrėti elektros prietaisai su aštriais pjovimo įrankiais yra lengviau valdomi ir juos geriau kontroliuoti.
- g) Elektros prietaisą, papildomus įrankius, darbo įrankius ir t.t. naudokite tik pagal instrukciją, turėdami omeny darbo sąlygas bei atliekamo darbo pobūdį. Elektros prietaiso naudojimas ne pagal paskirtį gali sukelti pavojingas situacijas.
- h) Jeigu prietaisais nebuvo naudojamas ilgesnį laiką arba yra naudojamas žemos temperatūros sąlygose, įjunkite jį kelioms minutėms be apkrovos tam, kad tepalas tinkamai pasisiskirstytų pavaros mechanizme.
- i) Elektros prietaisus valykite minkštu, drėgnu (ne šlapiu) skuduru ir muilu. Nenaudokite benzino, tirpiklių bei kitų priemonių galinčių pažeisti prietaisą.
- j) Elektros prietaisą laikykite/transportuokite tik po to, kai įsitikinsite, kad jo visos besisukančios dalys yra užblokuotos ir saugomos originaliomis, specialiai tam skirtomis detalėmis.
- k) Elektros prietaisą laikykite sausoje, apsaugotoje nuo dulkių bei drėgmės vietoje.
- l) Elektros prietaisą transportuokite originalioje pakuotėje, saugančioje nuo mechaninių pažeidimų.
- m) Rankenos ir kiti įrankio laikymo paviršiai turi būti švarūs, nealiejuoti ir netepaluoti. Jeigu rankenos ir kiti įrankio laikymo paviršiai yra slidūs, netikėtose situacijose negalėsite įrankio saugiai laikyti ir valdyti.



ĮSPĖJIMAS! Bendri įspėjimai dėl saugaus įrankio naudojimo.

Remontas:

- a) Garantinį ir pogarantinį elektros įrankių remontą atlieka PROFIX servisas, todėl garantuojama aukščiausia remonto darbų kokybė bei originalios atsarginės dalys.



ĮSPĖJIMAS!

Darbo su elektros prietaisu metu laikykitės pagrindinių saugaus darbo nuorodų. Tokiu būdu išvengsite gaisro, elektros smūgio bei mechaninių susižalojimų pavojaus.



EKSCENTRINĖ ŠLIFAVIMO MAŠINĖLĖ

Papildomos saugaus darbo nuorodos:

- a) Ekscentrinė šlifavimo mašinėlė, toliau vadinama „šlifuoekliu“, nėra atspari vandeniui, todėl ją galima naudoti tik sausam šlifavimui. Vandens įsiskverbimas į elektros prietaiso vidų gali tapti elektros smūgio priežastimi.

- b) Metalų šlifavimo metu susidaro kibirkštys. Todėl pasirūpinkite, kad susidaranti kibirkštys nekeltų niekam pavojaus bei pašalinti visas degias medžiagas. Dėl susidaranti kibirkščių taip pat gali užsidegti šlifavimo metu susidaranti dulkės. Rizika didėja, kai dulkės yra sumaišytos su lako dalelėmis arba kitomis cheminėmis medžiagomis, o šlifuojamas paviršius įkaista. Todėl būtina pasirūpinti, kad šlifuojamas paviršius bei šlifuoklas neįkaistų pernelyg bei reguliariai ištuštinti maišą su dulkėmis.
- c) Darbo vietoje turi būti švaru. Ypač pavojingi yra medžiagų mišiniai. Lengvos metalo dulkės gali užsidegti arba sprogti.
- d) Kvėpavimas šlifavimo dulkėmis yra kenksmingas sveikatai. Tiesioginis kontaktas su dulkėmis arba jų patekimas į plaučius gali būti alerginių reakcijų ir/arba kvėpavimo takų ligų priežastimi. Kai kurios medžiagos, pav. dažai su švinu, savo sudėtyje turi medžiagas, kurios gali būti toksinės. Tam kad sumažinti cheminį medžiagų neigiamą poveikį visada būtina užtikrinti gerą darbo vietos ventilaciją bei dirbti naudojant patikimas, patikrintas apsaugos priemones, tokias kaip dulkių kaukes su P2 klasės filtrais, kurie buvo užprojektuoti specialiai mikro dalelių filtravimui. Pagal galimybes naudokite dulkių siurbimo funkciją.
- e) Darbo metu visada dėvėkite apsauginius akinius.
- f) Naudokite klusos apsaugos priemones (ausines, ausų kamštukus). Ilgalaikis darbas triukšmingoje aplinkoje gali būti klausos praradimo priežastimi.
- g) Naudokite apsaugines pirštines bei nelieskite besisukančių šlifuoekliu dalių. Tai gali būti rankų sužalojimo priežastimi.
- h) Darbo metu elektrinį įrankį visuomet būtina laikyti abiem rankomis ir patikimai stovėti. Elektrinis įrankis yra saugiau valdomas, kai laikomas dviem rankomis.
- i) Būtina patikimai pritvirtinti apdorojamą daiktą. Apdorojamo daikto pritvirtinimas tvirtinimo mechanizmu arba spaustuose didina darbo saugumą.
- j) Darbo metu, kai yra pavojus užkliudyti elektros laidus arba paties prietaiso laidą, elektros prietaisą laikykite už izoliuotus paviršius. Jeigu yra kontaktas su elektros laidais, tai visos metalinės prietaiso dalys taip pat yra po įtampa, o tai gali sukelti elektros smūgį.
- k) Elektros maitinimo nutrūkimo metu, pav. avarijos metu arba po to, kai prietaiso kištukas buvo ištrauktas iš lizdo, būtina atlaisvinkite paleidimo/išjungimo jungiklį ir nustatykite jį pozicijoje „išjungtas“. Tokiu būdu išvengsite netikėto elektros prietaiso įsijungimo.
- l) Draudžiama naudotis prietaisu, jeigu jo maitinimo laidas yra pažeistas. Jeigu laidas yra pažeistas, jokių būdų nelieskite jo; jeigu laidas yra pažeidžiamas darbo metu, iš karto ištraukite jo kištuką iš elektros lizdo. Pažeistas maitinimo laidas gali būti elektros smūgio priežastimi.

DĖMESIO! Jeigu maitinimo laidas bus pažeistas ir bus tuo metu įjungtas į lizdą, tai turi būti pakeistas specialiu laidu arba rinkiniu, prieinamu pas gamintoją arba specialiam remonto punkte.

ŠLIFUOKLIO SANDARA IR PASKIRTIS:

Šlifuoklas yra skirtas medienos, metalo, plastiko sausam šlifavimui ir poliravimui bei dažų šalinimui, naudojant tam švitinį popierių (nuo 40 iki 400) ir poliravimo padų gaubtais su lipniomis juostelėmis.

DĖMESIO! Draudžiama naudoti asbesto bei grafitą sudėtyje turinčioms medžiagoms šlifuoti. Nenaudokite gipso paviršiams

(gipso kartono ploščių siūlėms) bei panašioms medžiagoms.

Smulkios dulkės įsiskverbiančios į prietaiso vidų blokuoja ventiliacines angas, o dėl to kaista variklis ir gali gerti.

Ekscentrinė šlifavimo mašinėlė tai antros klasės prietaisas (dviguba izoliacija), turintis vienfazį variklį.

Prietaisas nėra skirtas profesionaliems arba pramoniniams darbams atlikti. Jeigu prietaisas buvo naudojamas gamyloje, dirbtuvėse arba panašioms darbams atlikti, prarandama garantija.

Kiekvienas elektros prietaiso panaudojimas ne pagal paskirtį sukelia garantijos praradimą bei gamintojas tokiu atveju nėra atsakingas už patirtas žalas.

Šlifuklio sandara - pav. A. Bet kokios prietaiso modifikacijos padarytos naudotoju atleidžia gamintoją nuo atsakomybės už žalos patirtas tokiu atveju naudotoju bei aplinkiniams. Tinkamas naudojimas taip pat apima tinkama elektros prietaiso priežiūrą, sandėliavimą, transportavimą bei remontą.

Elektros prietaiso remontą galima atlikti tik specialiuose punktuose nurodytuose gamintoju. Prietaisų, maitinamų elektra remontą gali atlikti tik įgalioti asmenys.

Net ir naudojant įrenginį pagal paskirtį, negalima panaikinti kai kurių rizikos veiksnių. Įrenginio konstrukcija gali kelti toliau nurodytą grėsmę:

- nenaudojant klausos apsaugos priemonių, galimi klausos pažeidimai;
- dirbant uždaroje patalpoje, sveikatai kenksmingas medienos dulkių išmetimas;
- ilgą laiką naudojant elektrinį įrankį, neigiamas poveikis sveikatai; tokiais atvejais būtinas reguliarus pertraukos darbo metu.

■ Komplektavimas

- Ekscentrinė šlifavimo mašinėlė - 1 vnt.
- Švitrinio popieriaus lapas $\varnothing 125$ mm - 1 vnt.
- Anglies šepetėliai - 2 vnt.
- Naudojimo instrukcija - 1 vnt.
- Garantinis lapas - 1 vnt.

PAVEIKSLŲ APRĄŠYMAS A, B, C, D:

1. Šlifavimo lėkštė
2. Papildoma rankena
3. Greičio reguliavimo rankena
4. Paleidimo/išjungimo jungiklis
5. Pagrindinė rankena su neslidžiu gaubtu
6. Maitinimo laidas
7. Dulkių surinktuvas
8. Dulkių išėjimo anga
9. Švitrinio popieriaus lapas
10. Angos dulkiems išsiurbti
11. Šlifavimo lėkštės tvirtinimo varžtai

TECHINIAI DUOMENYS:

Nominali įtampa	220-240 V
Nominalus dažnis	50 Hz
Sunaudojamas pajėgumas	450 W
Āpsisukimų greitis	0-13000/min
Šlifavimo paviršius	$\varnothing 125$ mm
Prietaiso klasė	□/II
Maitinimo laido ilgis	3 m
Masė	1,9 kg

Akustinio slėgio lygis (LpA)	78 dB(A), ± 3 dB(A)
Akustinio pajėgumo lygis (LwA)	89 dB(A), ± 3 dB(A)
Vidutinis virpesių lygis pagal: EN 62841-2-4 (matavimo paklaida - 1,5m/s ²)	4,787 m/s ²

Pateiktas virpesių lygis yra reprezentatyvus pagrindiniams prietaiso panaudojimams. Jeigu elektros prietaisas bus panaudotas kitiems tikslams arba su kitais papildomais darbo įrankiais bei jeigu nebus tinkamai prižiūrimas, virpesių lygis gali skirtis.

Pateiktos aukščiau priežastys gali padidinti vibracijų lygį darbo metu. Būtina panaudoti papildomas priemones, saugančias naudotoją nuo vibracijų pasekmių, pav.: prietaiso ir darbo įrankių priežiūra, veiksmų eilės nustatymas.

Deklaruotos bendros vibracijos ir triukšmo vertės išmatuotos, taikant standartinį bandymo metodą, ir gali būti naudojamos įrankių lyginimui.

Deklaruotos bendros vibracijos ir triukšmo vertės gali būti naudojamos pradiniam poveikio vertinimui.

Įspėjimai:

Vibracija ir triukšmas elektros įrankio naudojimo metu gali skirtis nuo deklaruojamos vertės, kadangi tai priklauso nuo įrankio naudojimo būdo ir apdirbamo objekto.

Būtina apibrėžti operatoriaus darbo saugos priemones. Jos turi remtis poveikio vertinimu realioje įrankio naudojimo situacijoje (atsižvelgiant į visas darbo ciklo dalis: laiką, kuomet įrankis yra išjungtas ir kuomet veikia tuščia eiga, išskyrus įjungimo laiką).

PRIEŠ PRADEDANT DARBĄ:

- Įsitikinkite, kad elektros maitinimo šaltinio parametrai atitinka šlifuklio parametrus (šlifuklio parametrai nurodomi prietaiso firminėje lentelėje).
- Įsitikinkite, kad šlifuklio jungiklis yra „išjungtas“ pozicijoje.
- Jeigu naudojamas prailgintuvas, būtina įsitikinti, kad jo parametrai, laidų skersmuo atitinka šlifuklio parametrus. Patariama naudoti kuo trumpesnius prailgintuvus. Prailgintuvus turi būti išvyniotas visame ilgyje.

DĖMESIO: Šlifavimo metu naudokite kvėpavimo takų apsaugos priemones (dulkių kaukes).

- Darbo metu visada naudokite dulkių surinktuvą (7) arba pramoninį dulkių siurbį. Dulkių siurblio žarną prijunkite prie dulkių išėjimo angos (8) (žiūrėkite pav. B).
- Būkite ypač atidūs šlifuojant lakuotus paviršius. Kai kurie lakai turi savo sudėtyje kenksmingas medžiagas, todėl dulkes būtina šalinti taip, kad neterštų aplinkos.
- Jeigu yra šlifuojamas paviršius padengtas dažais, kurių sudėtyje yra švino, naudokite atitinkamą kaukę, kuri įsurbia švino garus. Vaikai bei nėščiosios negali būti darbo vietoje. Darbo vietoje taip pat draudžiama valgyti arba gerti.
- Niekada nenaudokite prietaiso paviršiams su magniu šlifuoti.

MONTAVIMAS:

DĖMESIO! Prieš atliekant bet kokius darbus ištraukite kištuką iš lizdo.

■ Šlifavimo popieriaus keitimas (žiūrėkite pav. C)

Prieš uždedami naują šlifavimo popieriaus lapelį nuo šlifavimo lėkštės (1) pašalinkite pvz., teptuku, nešvarumus ir dulkes.

Šlifavimo lėkštė (1) turi kibų paviršius, prie kuriuo galima greitai ir paprastai pritvirtinti šlifavimo popieriaus lapelius.

Uždėkite šlifavimo popieriaus lapelį (9) ant šlifavimo lėkštės (1) pado ir stipriai prispauskite prie viso paviršiaus.

Siekiant užtikrinti optimalų dulkių nusiurbimą, atkreipkite dėmesį į ai, kad skyles šlifavimo popieriuje turi sutapti su dulkių nusiurbimo angomis (10) lėkštės pade.

■ **Dulkių surinktuvo montavimas** (žiūrėkite pav. B)

Uždėkite dulkių surinktuvą (7) ant išmetimo angos (8) iki pat jo galo.

Norėdami pasiekti geresnius rezultatus, dulkių talpą būtina ištuštinti kas 5-10 minutes.

Norėdami ištuštinti dulkių surinktuvą, nuimkite jį nuo angos antgalio ir pakratykite, tam kad dulkės nubyrėtų nuo senelio. Ištuštinkite surinktuvą.

Filtro tinklius valykite minkštu teptuku.

■ **Šlifavimo lėkštės keitimas** (žiūrėkite pav. D)

DĖMESIO: Gedusį šlifavimo lėkštę (1) būtina nedelsiant pakeisti.

Nuimkite šlifavimo popierių arba poliravimo gaubtą.

Suktuvu PH2 išsukite 4 tvirtinimo varžtus (11) ir nuimkite šlifavimo lėkštę (1). Uždėkite naują šlifavimo lėkštę ir užveržkite varžtus.

NAUDOJIMAS:

■ **Ijungimas / išjungimas**

- Norėdami įjungti šlifuoklį, pastumkite įjungimo / išjungimo jungiklį (4) į priekį.
- Norėdami išjungti šlifuoklį, pastumkite įjungimo / išjungimo jungiklį (4) atgal.

■ **Apsisukimų greičio reguliavimas**

Prietaisas turi elektroninę valdymo sistemą, leidžiančią parinkti tinkamą apsisukimų dažnį pagal apdorojamos medžiagos tipą.

Greičio reguliavimo rankenėlė (3) skirta greičio reguliacijai nuo 1 (minimalus virpesių lygis, pav. šlifuojant neatsparius temperatūrai paviršius) iki MAX (aukščiausias virpesių lygis). Tinkamas apsisukimų greitis parenkamas pagal apdorojamos medžiagos tipą bei darbo sąlygas – parinkti jį galima tik atliekant bandymus.

■ **Šlifavimas**

Apdorojamąją medžiagą pritvirtinkite, pav. naudojant spaustuvus. Įjunkite jį. Šlifuojant šlifuoکلį veskite tolygiais, elipsiniais judesiais. Nenaudokite papildomo spaudimo, šlifuoکلio masės visiškai užtenka. Papildomas spaudimas veda tik prie greitesnio prietaiso bei švitrinio popieriaus susidėvėjimo.

Šlifavimą pradėkite nuo popieriaus turinčio didesnį grūdėtumą ir palaipsniui mažinkite grūdelių didį.

DĖMESIO: Tik geros techninės būklės švitrinis popierius garantuoja gerus šlifavimo efektus ir saugo prietaisą nuo gedimo.

■ **Poliravimas**

Norėdami suteikti blizgesį lakuotam paviršiui arba pašalinti įbrėžimus (pvz. nuo akrilo stiklo) ant prietaiso galima uždėti tinkamas poliravimo priemonės su kibiu paviršiumi, pvz. poliravimo gaubtas iš eriučių vilnos, poliravimo veltinis arba poliravimo kempinė (aprašytos įrangos nėra standartinėje prietaiso komplektacijoje).

Poliravimą atlikite mažu greičiu (1 laipsnis), kad paviršius pernelyg neiškaistų.

Poliravimo priemonės naudokite pagal gamintojo nurodymus.

Poliravimą atlikite pagal pridėdamą prie poliravimo priemonės instrukciją išilginiais, skersiniais arba sukamaisiais judesiais.

Reguliarai valykite poliravimo mašinėlę, kad pasiekti gerus poliravimo rezultatus. Poliravimo įrankius skalbkite šiltu vandeniu su švelniu plovikliu.

LAIKYMAS IR PRIEŽIŪRA:



ĮSPĖJIMAS:

Prieš atliekant bet kokius aptarnavimo arba remonto darbus ištraukite kištuką iš elektros lizdo.

Prietaisas beveik nereikalauja specialios priežiūros. Prietaisą laikykite vietoje nepasiekiamoje vaikams; prietaisas turi būti švarus bei saugomas nuo dulkių ir drėgmės. Laikymo sąlygos turi užtikrinti saugumą nuo mechaninių pažeidimų bei oro sąlygų poveikio.

■ **Valymas**

Prietaiso korpusas ir ventiliacinės angos turi būti švarios, negali jose būti dulkių arba kitų nešvarumų. Rekomenduojama valyti prietaisą po kiekvieno panaudojimo.

Šlifuoکلį valykite drėgnu skudurėliu su nedideliu muilo kiekiu arba pravalykite žemo slėgio suslėgtu oru.

DRAUDŽIAMA naudoti tirpiklius – jie gali pažeisti plastmasines dalis. Į vidų negali patekti vanduo.

■ **Transportas**

Šlifavimo mašinėlę transportuokite ir laikykite pakuoėje, saugančioje nuo drėgmės, dulkių ir smulkių objektų įsiskverbimo, ypač saugokite ventiliacines angas. Smulkūs elementai, patenkantys į korpusą gali pažeisti variklį.

TIPISKI GEDIMAI IR JŲ ŠALINIMAS:

Prietaisas neveikia:

- Patikrinkite ar maitinimo laidas yra gerai pajungtas ir patikrinkite saugiklius. Jeigu elektros prietaisas vis tiek neįsijungia, būtina jį nusiųsti į remonto ir techninio aptarnavimo punktą. Adresus rasite garantiniame lape.

GAMINTOJAS:

PROFEX Sp. z o.o., Marywilska 34, 03-228 Varšuva, Lenkija

APLINKOS APSAUGA:



DĖMESIO: Pateiktas simbolis reiškia, kad panaudotus prietaisus draudžiama išmesti kartu su kitomis atliekomis (už pažeidimą gresia piniginė bauda). Panaudoti elektros prietaisai bei elektroninės dalis ir komponentai turi neigiamą poveikį aplinkai ir žmonių sveikatai.

Namų ūkis turėtų prisidėti prie panaudotos įrangos utilizavimo bei pakartotino medžiagų panaudojimo (perdirbimo). Lenkijoje ir Europoje yra kuriama arba jau veikia panaudotos įrangos surinkimo sistema. Todėl visi paminėtos įrangos pardavimo taškai yra įpareigoti priimti panaudotą įrangą. Be to yra specialūs panaudotos įrangos priėmimo taškai.

PIKTOGRAMAI:

Paveikslėlių esančių prietaiso firminėje lentelėje ir informaciniuose lipdukuose paaiškinimas:



– **«Prieš įjungdami perskaitykite naudojimo instrukciją!»**



– **«Visada dėvėkite apsauginius akinius!»**



– **«Naudokite klausos apsaugos priemones!»**



– **«Naudokite dulkių kaukę!»**

DT-C2/d_zg/0396/01

Łomna Las: 2023.07.17

(EN) EC/EU DECLARATION OF CONFORMITY
(PL) DEKLARACJA ZGODNOŚCI WE/UE
(RO) DECLARAȚIE DE CONFORMITATE CE/UE

(LV) EK/ES ATBILSTĪBAS DEKLARĀCIJA
(LT) EB/ES ATITIKTIES DEKLARACIJA
(CS) ES/EU PROHLÁŠENÍ O SHODĚ

(HU) EK/EU-MEGFELELŐSÉGI NYILATKOZATA

(EN) MANUFACTURER	(PL) PRODUCENT	(RO) PRODUCĂTOR	(LV) RAŽOTĀJS	(LT) GAMINTOJAS	(CS) VÝROBCE	(HU) GYÁRTÓ
----------------------	-------------------	--------------------	------------------	--------------------	-----------------	----------------

PROFIX Sp. z o.o. ul. Marywilska 34, 03-228 Warszawa

(EN) Person who was authorized to develop technical documentation:	(LT) Asmuo įgaliotas parengti techninę dokumentaciją:
(PL) Osoba upoważniona do przygotowania dokumentacji technicznej:	(CS) Osoba oprávněná připravit technickou dokumentaci:
(RO) Persoana împuternicită pentru pregătirea documentației tehnice:	(HU) Műszaki dokumentáció elkészítésére meghatalmazott személy:
(LV) Persona atbildīga par tehniskās dokumentācijas sagatavošanu:	

Mariusz Rotuski, Centrum Dystrybucyjno-Handlowe PROFIX, ul. Dobra 3, Łomna Las, 05-152 Czoszów

(EN) Rotating Sander (PL) Szlifierka mimośrodowa (RO) Șlefuitor cu excentric (LV) Ekscentra slīpmašīna (LT) Ekscentrinis šliuoklis (CS) Excentrická bruska (HU) Excenteres csiszológép

TRYTON TMO450B

S18-JM-22A

220 - 240 V; 50 Hz; 450 W; kl. II; n₀: 0-13000/min

S2324 ---- S2810

(EN) The object of the declaration described above is in conformity with the relevant Union harmonisation legislation: (PL) Wymieniony powyżej przedmiot niniejszej deklaracji jest zgodny z odnośnymi wymaganiami unijnego prawodawstwa harmonizacyjnego: (RO) Obiectul declarației descrisă mai sus este în conformitate cu legislația relevantă de armonizare a Uniunii: (LV) Iepriekš aprakstītais deklarācijas priekšmets atbilst attiecīgajam Savienības saskaņošanas tiesību aktam (LT) Pirmiau aprašytas deklaracijos objektas atitinka susijusių derinamuosius Sąjungos teisės aktus: (CS) Výše popsaný předmět prohlášení je ve shodě s příslušnými harmonizačními právními předpisy Unie: (HU) A fent ismertetett nyilatkozat tárgya megfelel a vonatkozó uniós harmonizációs jogszabálynak:

(EN) 2006/42/EC (OJ L 157, 9.6.2006, p. 24–86); 2014/30/EU (OJ L 96, 29.3.2014, p. 79–106); 2011/65/EU of the European Parliament and of the Council of 8 June 2011 on the restriction of the use of certain hazardous substances in electrical and electronic equipment (OJ L 174, 1.7.2011, p. 88–110) change 2015/863/UE; (PL) 2006/42/WE (Dz.U. L 157 z 9.6.2006, str. 24–86); 2014/30/UE (Dz.U. L 96 z 29.3.2014, str. 79–106); 2011/65/UE z dnia 8 czerwca 2011 r. w sprawie ograniczenia stosowania niektórych niebezpiecznych substancji w sprzęcie elektrycznym i elektronicznym (Dz.U. L 174 z 1.7.2011, str. 88–110), zmiana 2015/863/UE; (RO) 2006/42/CE (JO L 157, 9.6.2006, p. 24–86); 2014/30/UE (JO L 96, 29.3.2014, p. 79–106); 2011/65/UE a Parlamentului European și a Consiliului din 8 iunie 2011 privind restricțiile de utilizare a anumitor substanțe periculoase în echipamentele electrice și electronice (JO L 174, 1.7.2011, p. 88–110) schimbare 2015/863/UE; (LV) 2006/42/EK (OV L 157, 9.6.2006, 24./86. lpp.); 2014/30/ES (OV L 96, 29.3.2014, 79./106. lpp.); 2011/65/ES (2011. gada 8. jūnijs) par dažu bīstamu vielu izmantošanas ierobežošanu elektriskās un elektroniskās iekārtās (OV L 174, 1.7.2011., 88./110. lpp.) maiņa 2015/863/UE; (LT) 2006/42/EB (OL L 157, 2006 6 9, p. 24–86); 2014/30/ES (OL L 96, 2014 3 29, p. 79–106); 2011/65/ES 2011 m. birželio 8 d. dėl tam tikrų pavojingų medžiagų naudojimo elektros ir elektroninėje įrangoje apribojimo (OL L 174, 2011 7 1, p. 88–110); pokytis 2015/863/UE; (CS) 2006/42/ES (Úř. věst. L 157, 9.6.2006, s. 24–86); 2014/30/EU (Úř. věst. L 96, 29.3.2014, s. 79–106); 2011/65/EU ze dne 8. června 2011 o omezení používání některých nebezpečných látek v elektrických a elektronických zařízeních (Úř. věst. L 174, 1.7.2011, s. 88–110) změna 2015/863/UE; (HU) 2006/42/EK (HL L 157., 2006.6.9., 24–86. o.); 2014/30/EU (HL L 96., 2014.3.29., 79–106. o.); 2011/65/EK irányelve (2011. június 8.) egyes veszélyes anyagok elektromos és elektronikus berendezésekben való alkalmazásának korlátozásáról (HL L 174., 2011.7.1., 88–110. o.) változás 2015/863/UE;

(EN) References to the relevant harmonised standards used or references to the other technical specifications in relation to which conformity is declared:
(PL) Odniesienia do odnośnych norm zharmonizowanych, które zastosowano, lub do innych specyfikacji technicznych, w stosunku do których deklarowana jest zgodność:
(RO) Trimiteri la standardele armonizate relevante folosite sau trimeri la celelalte specificații tehnice în legătură cu care se declară conformitatea:
(LV) Atsauces uz attiecīgajiem izmantotajiem saskaņotajiem standartiem vai uz citām tehniskajām specifikācijām, attiecībā uz ko tiek deklarēta atbilstība:
(LT) Susijusių taikytų darnųjų standartų nuorodos arba kitų techninių specifikacijų, pagal kurias buvo deklaruota atitiktis, nuorodos:
(CS) Odkazy na příslušné harmonizované normy, které byly použity, nebo na jiné technické specifikace, na jejichž základě se shoda prohlašuje:
(HU) Az alkalmazott harmonizált szabványokra való hivatkozás vagy az azokra az egyéb műszaki leírásokra való hivatkozás, amelyekre I kapcsolatban megfeleléségi nyilatkozatot tették.

EN 62841-1:2015 EN 62841-2:2014

EN IEC 55014-1:2021 EN IEC 55014-2:2021 EN IEC 61000-3-2:2019+A1:2021 EN 61000-3-3:2013+A1:2019+A2:2021

IEC 62321-3-1:2013 IEC 62321-5:2013 IEC 62321-4:2017 IEC 62321-7-2:2017 IEC 62321-7-1:2015 IEC 62321-6:2015 IEC 62321-8:2017


Mariusz Rotuski

Pénnomocnik Zorządu ds. Certyfikacji

Representative of the Board for Certification

(EN) This declaration of conformity is issued under the sole responsibility of the manufacturer. (PL) Niniejsza deklaracja zgodności wydana zostaje na wyłączną odpowiedzialność producenta. (RO) Prezenta declarație de conformitate este emisă pe răspunderea exclusivă a producătorului. (LV) Šī atbilstības deklarācija ir izdota vienīgi uz šāda ražotāja atbildību. (LT) Ši atitikties deklaracija išduota tik gamintojo atsakomybe. (CS) Toto prohlášení o shodě vydal na vlastní odpovědnost výrobce. (HU) E megfeleléségi nyilatkozat a gyártó kizárólagos felelőségére kerül kibocsátásra.



(LT) PROFIX įmonė siekia tobulinti savo produktus, todėl gali keistis produktų specifikacijos. Apie šiuos pasikeitimus įmonė nėra įpareigota nepranešti. Paveikslėliai esantis aptarnavimo instrukcijoje tai tik pavyzdžiai bei gali skirtis nuo nusipirkto prietaiso.

Ši instrukcija yra apsaugojama autoriaus teise. Kopijavimas/plėtojimas be PROFIX Sp. z o.o. leidimo raštu draudžiamas.